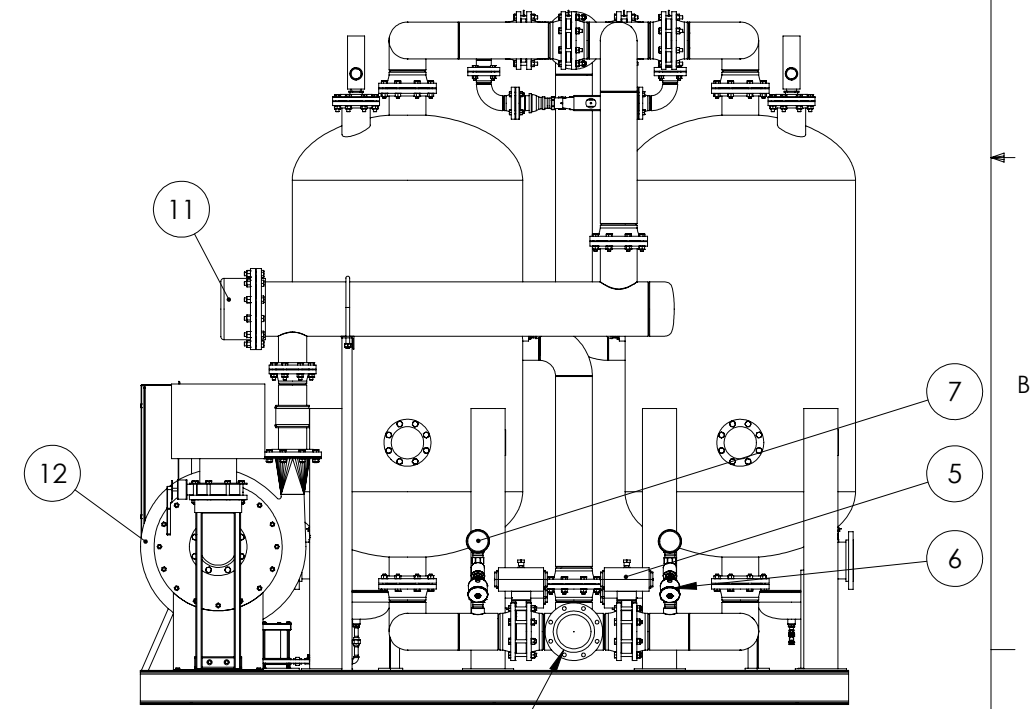
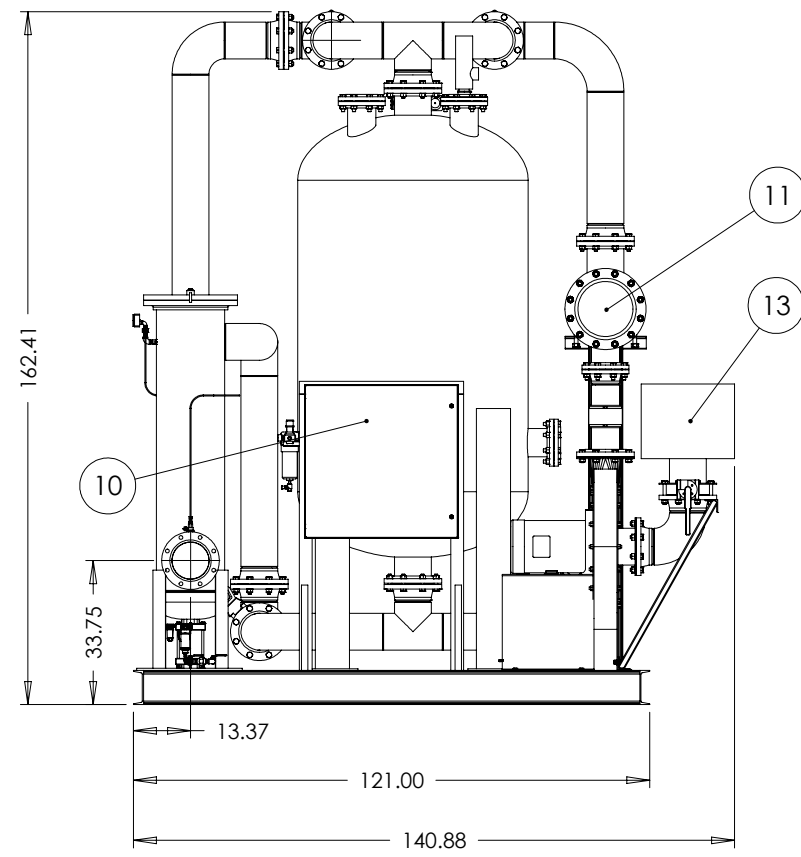
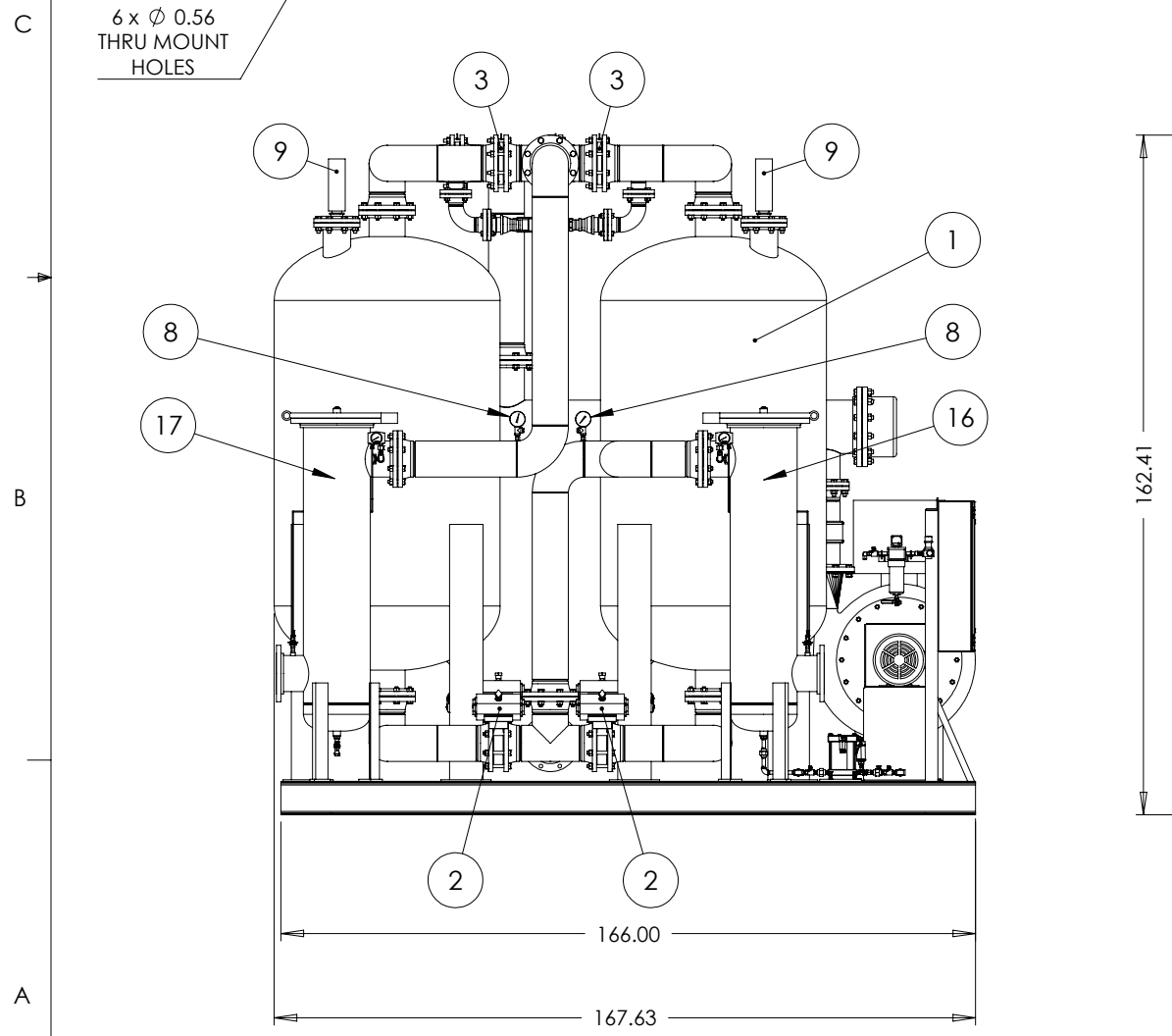


ITEM NO	QTY	DESCRIPTION
1	2	DESICCANT VESSEL
2	2	INLET BUTTERFLY VALVE
3	2	OUTLET CHECK VALVE
4	2	HEATER OUTLET CHECK VALVE
5	2	PURGE EXHAUST VALVE
6	2	DEPRESSURIZATION VALVE
7	2	DEPRESSURIZATION MUFFLER
8	2	PRESSURE GAUGE
9	2	PRESSURE RELIEF VALVE
10	1	ELECTRICAL ENCLOSURE
11	1	HEATER
12	1	REGENERATIVE BLOWER
13	1	AIR INTAKE FILTER
14	1	REPRESSURIZATION BALL VALVE
15	1	REPRESSURIZATION GLOBE VALVE
16	1	PRE-FILTER
17	1	AFTER-FILTER



UNLESS OTHERWISE SPECIFIED:

DRAWN	BH	01/03/19
CHECKED	MS	01/03/19
ENG APPR.		
MFG APPR.		
Q.A.		

THIRD ANGLE PROJECTION

FINISH

DO NOT SCALE DRAWING

NAME DATE

DATE

01/03/19

01/03/19

TITLE:

DRYER, DESICCANT, ABP-7000, PACK B ASSY, 8in PIPE, 1 PRE & AFTER FILTER, 150 PSIG, 100F, T-54

SIZE DWG. NO. REV

B AG9984150-B 0

SCALE: 1:50 WEIGHT: SHEET 1 OF 1

INSULATION NOT SHOWN

PROPRIETARY AND CONFIDENTIAL
THE INFORMATION CONTAINED IN THIS DRAWING IS THE SOLE PROPERTY OF NANO PURIFICATION SOLUTIONS. ANY REPRODUCTION IN PART OR AS A WHOLE WITHOUT THE WRITTEN PERMISSION OF NANO PURIFICATION SOLUTIONS IS PROHIBITED.

