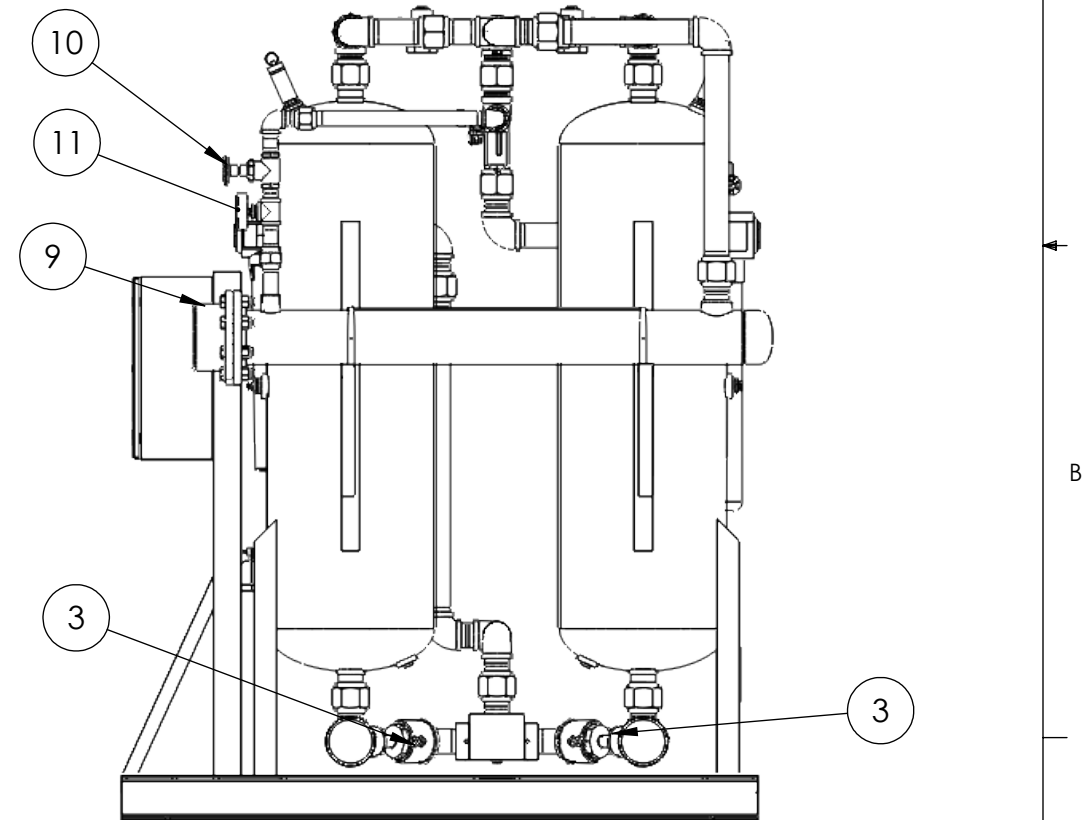
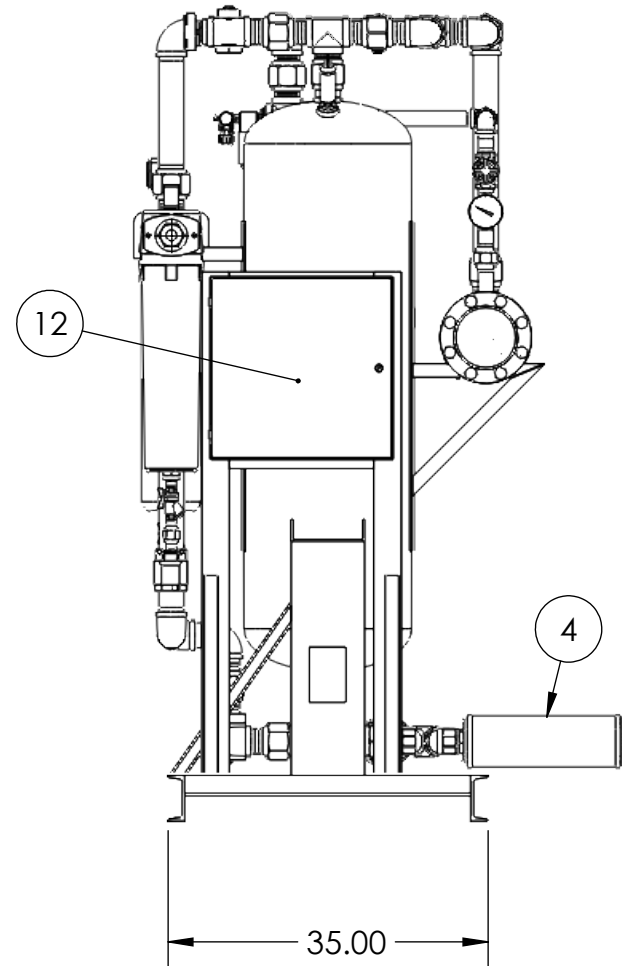
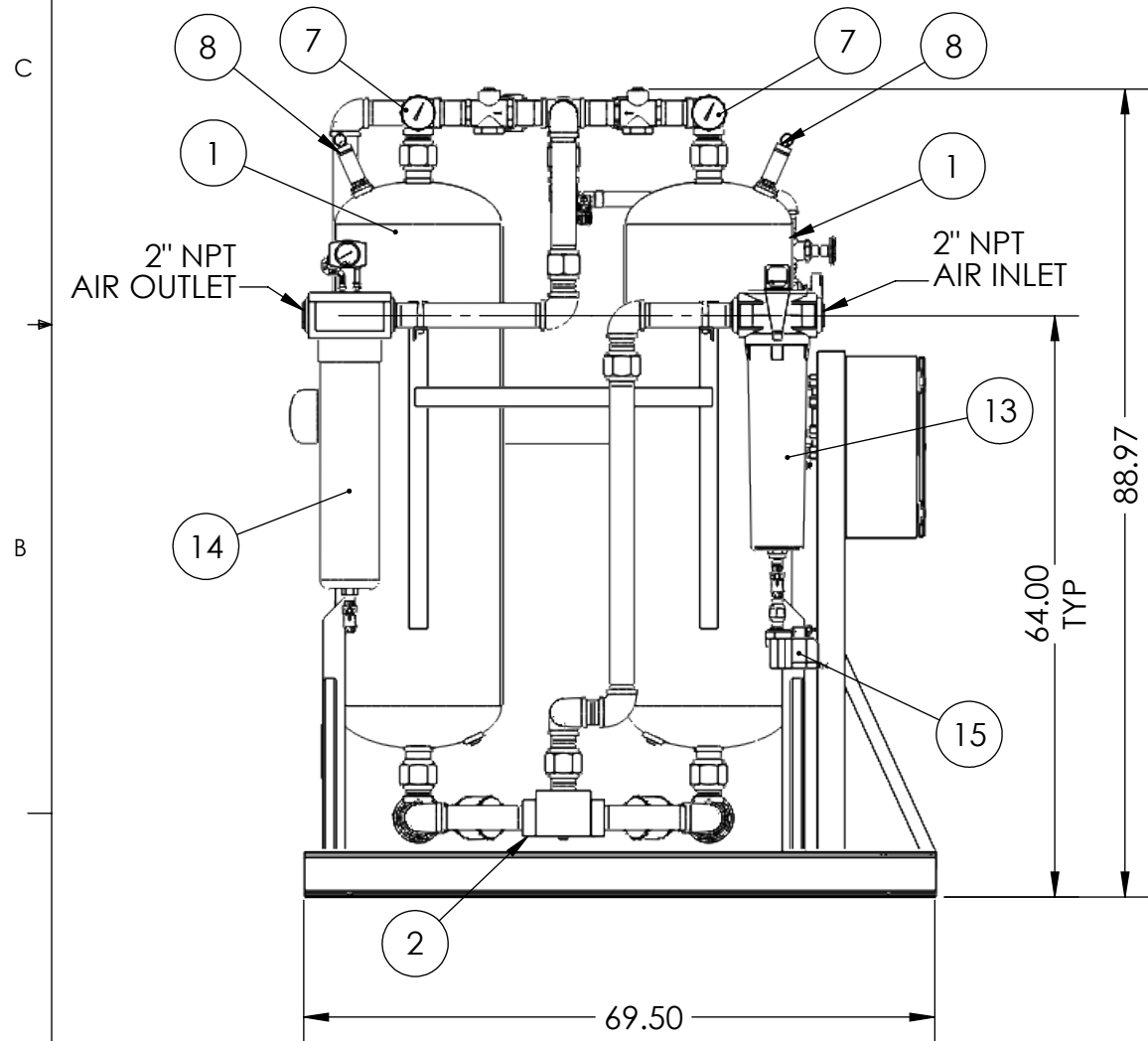


ITEM	QTY	DESCRIPTION
1	2	DESICCANT VESSEL
2	1	INLET SHUTTLE VALVE
3	2	PURGE EXHAUST ANGLE BODY VALVE
4	1	PURGE EXHAUST MUFFLER
5	2	OUTLET CHECK VALVE
6	2	HEATER OUTLET CHECK VALVE
7	2	VESSEL PRESSURE GAUGE
8	2	PRESSURE RELIEF VALVE
9	1	HEATER
10	1	PURGE ADJUSTMENT VALVE
11	1	PURGE PRESSURE GAUGE
12	1	ELECTRICAL ENCLOSURE
13	1	PRE-FILTER
14	1	AFTER-FILTER
15	1	ZERO-LOSS DRAIN



UNLESS OTHERWISE SPECIFIED:  
 DIMENSIONS ARE IN INCHES  
 TOLERANCES:  
 FRACTIONAL: ± 0.125  
 ANGULAR: ± 0.5°  
 TWO PLACE DECIMAL ± .03  
 THREE PLACE DECIMAL ± .003

THIRD ANGLE PROJECTION

MATERIAL

FINISH

DO NOT SCALE DRAWING

	NAME	DATE
DRAWN	O.P.	05/27/15
CHECKED	M.S.	05/27/15
ENG APPR.		
MFG APPR.		
Q.A.		
COMMENTS:		

**nano** nano-purification solutions - TN  
 323 crisp circle  
 maryville, tn 37801  
 P: (865) 681-7066

TITLE: DRYER, EXTERNALLY HTD  
 DESICCANT, PKG B, AEHD-750;  
 150 PSIG, 100F, T-18, REV 3

SIZE <b>B</b>	DWG. NO. AG9935040-B	REV <b>3</b>
SCALE: 1:50		WEIGHT:
		SHEET 1 OF 1

**PROPRIETARY AND CONFIDENTIAL**  
 THE INFORMATION CONTAINED IN THIS DRAWING IS THE SOLE PROPERTY OF NANO PURIFICATION SOLUTIONS ANY REPRODUCTION IN PART OR AS A WHOLE WITHOUT THE WRITTEN PERMISSION OF NANO PURIFICATION SOLUTIONS IS PROHIBITED.