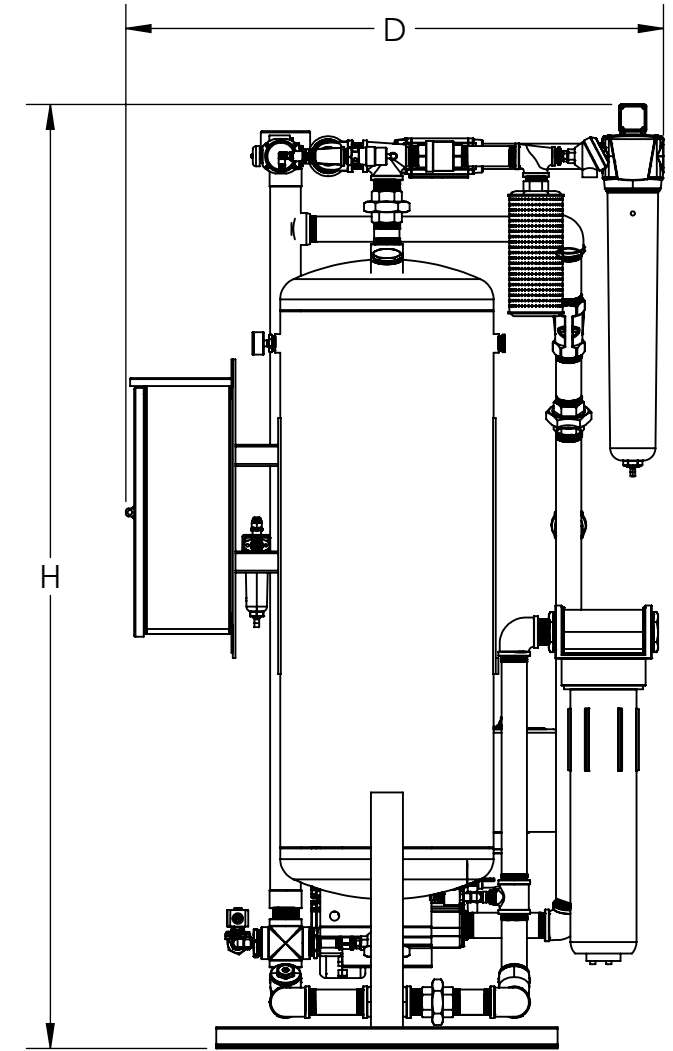
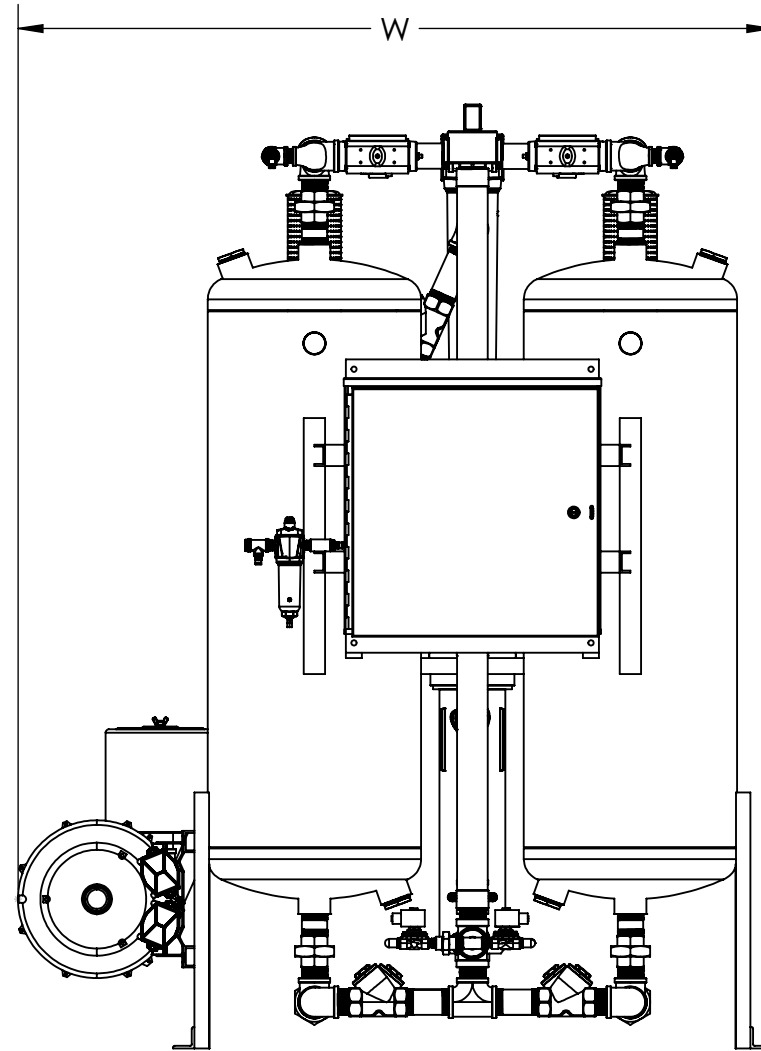
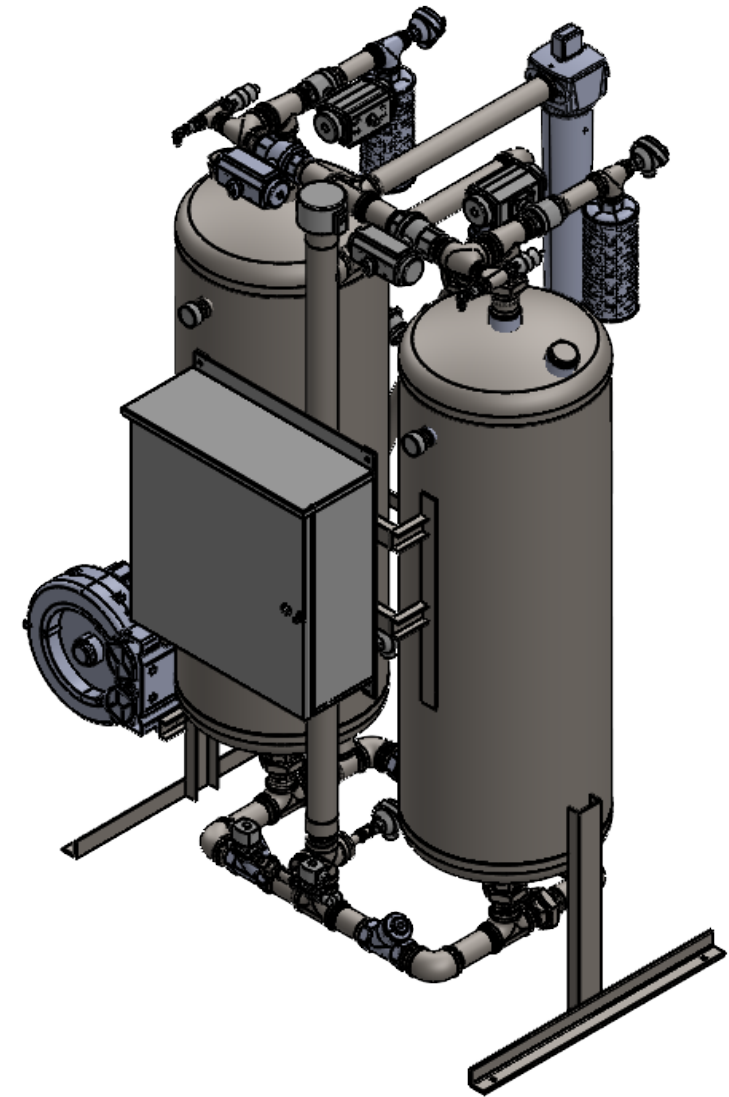
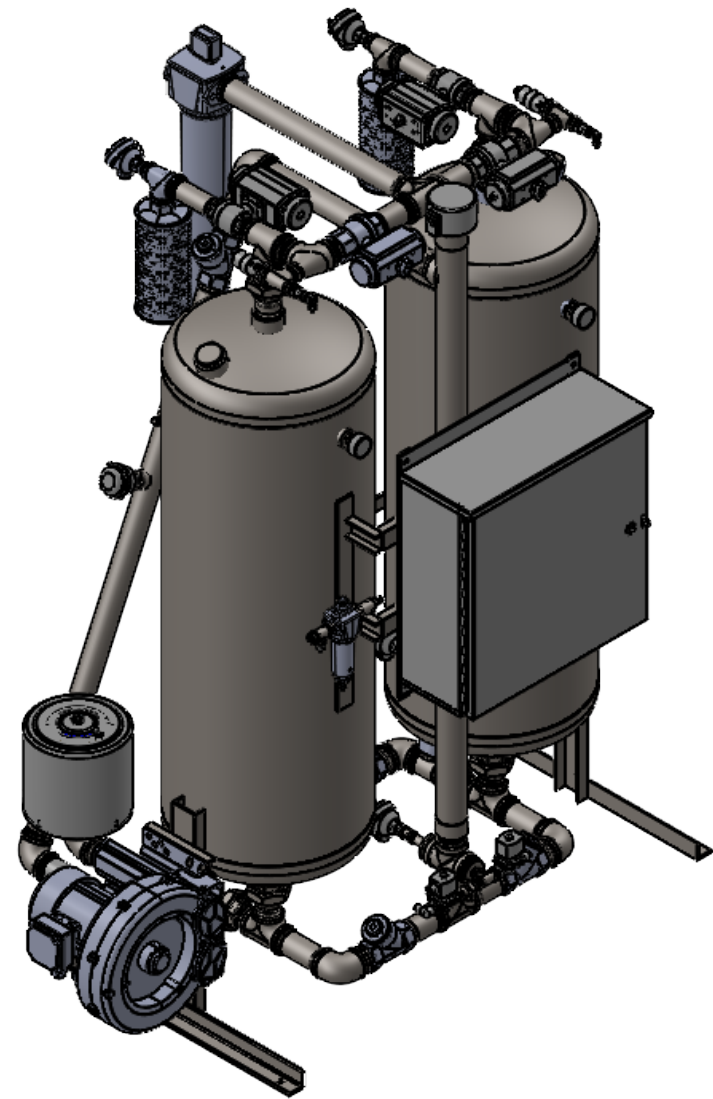


BPA UNIT	W	H	D	CONNECTION
200	58"	87"	41"	1-1/2" NPT
250	61"	87"	40"	1-1/2" NPT
350	63"	88"	43"	2" NPT
500	70"	89"	51"	2" NPT
700	71"	89"	51"	2" NPT
850	82"	95"	55"	2" NPT
1000	84"	110"	57"	3" FLG
1350	109"	113"	80"	3" FLG
1700	140"	112"	81"	4" FLG
2100	140"	112"	76"	4" FLG
2400	148"	112"	84"	4" FLG
3100	155"	112"	86"	6" FLG
3800	165"	112"	101"	6" FLG
4300	175"	112"	106"	6" FLG
5000	185"	112"	109"	6" FLG
6250	205"	112"	112"	8" FLG
7750	230"	112"	115"	8" FLG



NOTES:  
1.) RED NUMBERS MEANS LIKELY TO CHANGE  
2.) DIMENSIONS ARE FOR BASE F2 UNITS

		UNLESS OTHERWISE SPECIFIED:	NAME	DATE	<b>AIR/TAK</b>	
		DIMENSIONS ARE IN INCHES	DRAWN	NES	10/6/2022	NEW BETHLEHEM, PA 16242
		TOLERANCES:	CHECKED			TITLE:
		FRACTIONAL ± 1/8	ENG APPR.			DIMENSIONAL DRAWING FOR
		ANGULAR ± 2	MFG APPR.			BPA UNITS
		ONE PLACE DECIMAL ± .1	Q.A.			SIZE DWG. NO. REV
		TWO PLACE DECIMAL ± .03				<b>B</b> (DIMENSIONS) BPA UNITS <b>1</b>
		THREE PLACE DECIMAL ± .005				SCALE: 1:18 WEIGHT: SHEET 1 OF 2
		INTERPRET GEOMETRIC TOLERANCING PER:	<b>PROPRIETARY AND CONFIDENTIAL</b>			
		MATERIAL	THE INFORMATION CONTAINED IN THIS DRAWING IS THE SOLE PROPERTY OF AIR/TAK. ANY REPRODUCTION IN PART OR AS A WHOLE WITHOUT THE WRITTEN PERMISSION OF AIR/TAK IS PROHIBITED.			
1	ADDED 2D DRAWING WITH DIMENSIONS UPDATED BOM/DIMENSIONS	FINISH				
REV.	DESCRIPTION	DO NOT SCALE DRAWING				



		UNLESS OTHERWISE SPECIFIED:	NAME	DATE	<b>AIR/TAK</b>	
		DIMENSIONS ARE IN INCHES	DRAWN	NES	10/6/2022	NEW BETHLEHEM, PA 16242
		TOLERANCES:	CHECKED			TITLE:
		FRACTIONAL ± 1/8	ENG APPR.			DIMENSIONAL DRAWING FOR
		ANGULAR ± 2	MFG APPR.			NANO PRICEBOOK
		ONE PLACE DECIMAL ± .1	Q.A.			SIZE
		TWO PLACE DECIMAL ± .03	<b>PROPRIETARY AND CONFIDENTIAL</b> THE INFORMATION CONTAINED IN THIS DRAWING IS THE SOLE PROPERTY OF AIR/TAK. ANY REPRODUCTION IN PART OR AS A WHOLE WITHOUT THE WRITTEN PERMISSION OF AIR/TAK IS PROHIBITED.		DWG. NO.	REV
		THREE PLACE DECIMAL ± .005			<b>B</b>	ISOMETRIC VIEW
REV.	DESCRIPTION	INTERPRET GEOMETRIC TOLERANCING PER:			SCALE: 1:16	WEIGHT:
	REVISION BLOCK	MATERIAL				SHEET 2 OF 2
		FINISH				
		DO NOT SCALE DRAWING				