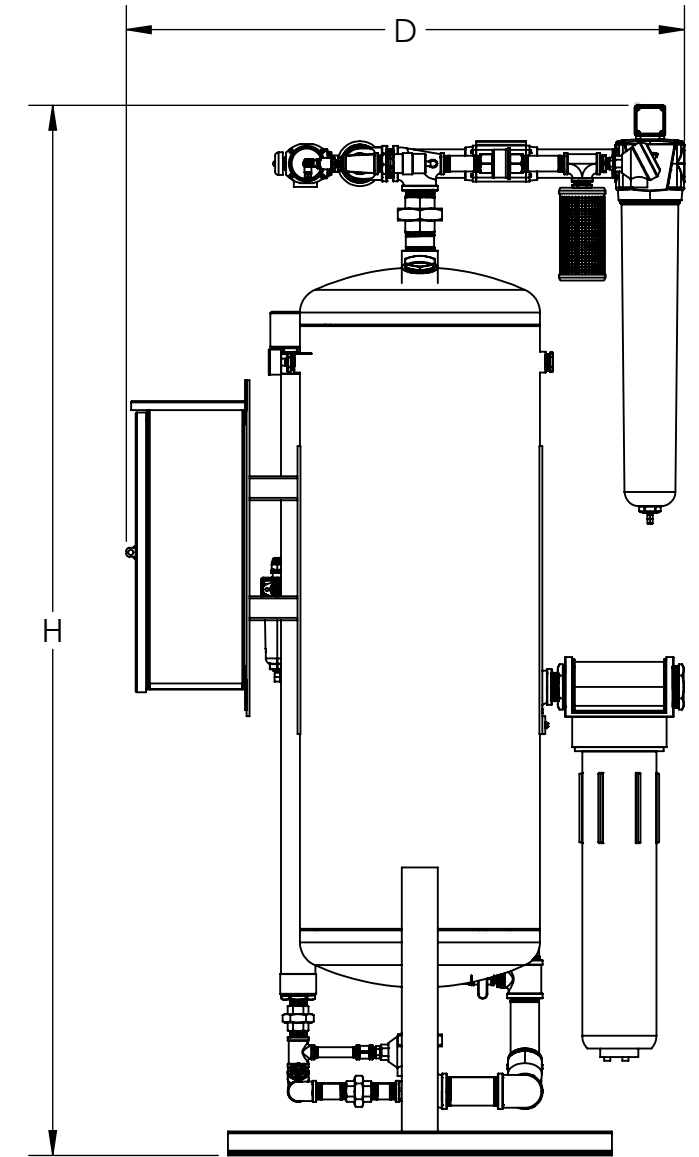
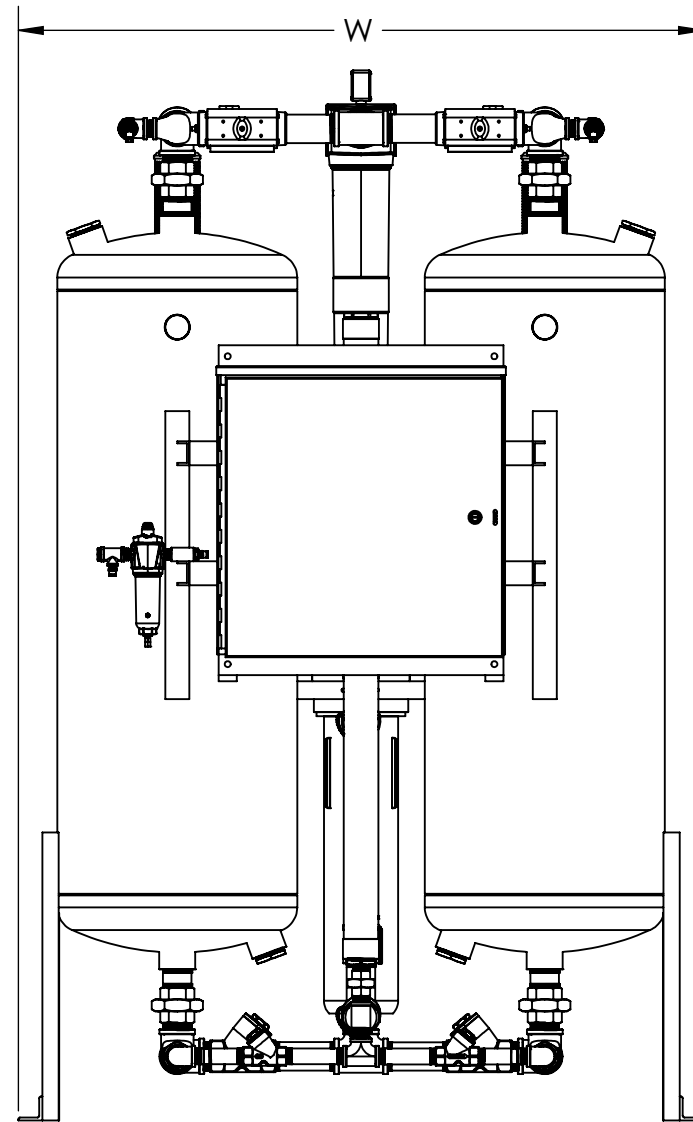
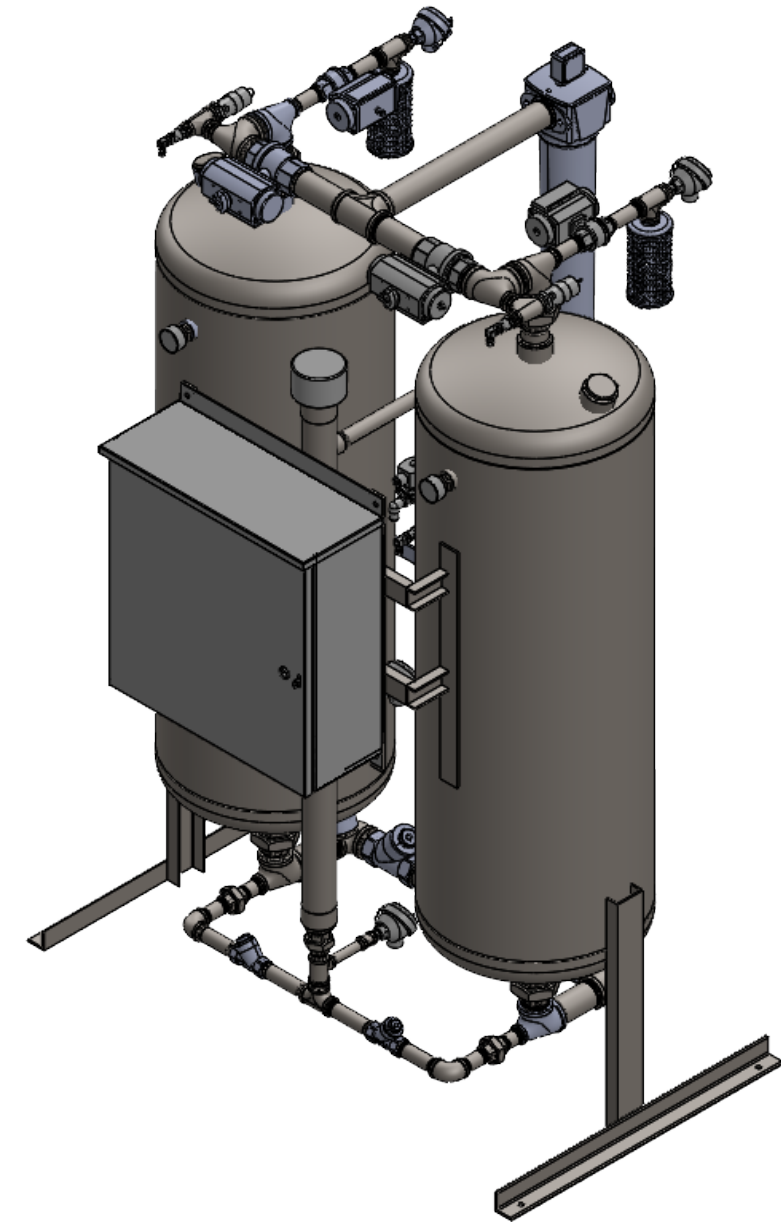
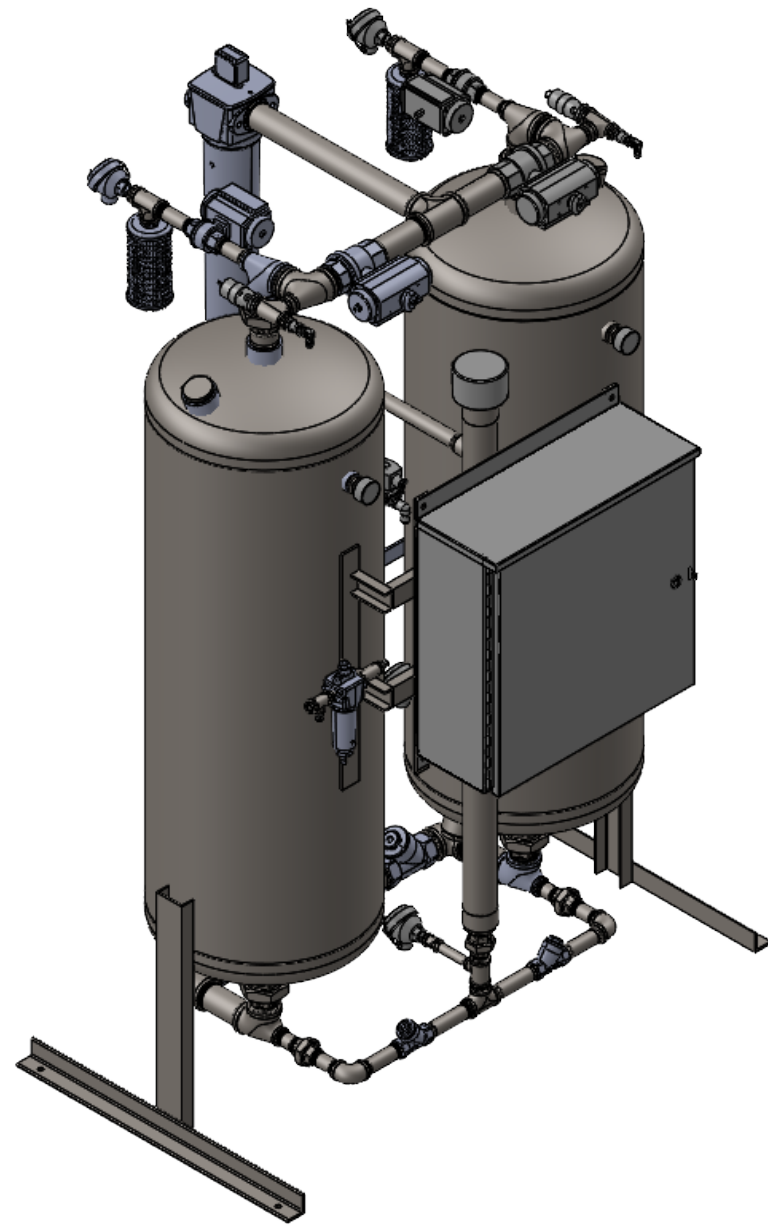


EHA UNIT	W	H	D	CONNECTION
100	42"	88"	36"	1" NPT
175	46"	89"	38"	1-1/2" NPT
250	48"	87"	39"	1-1/2" NPT
350	50"	88"	41"	2" NPT
500	58"	88"	45"	2" NPT
700	58"	88"	47"	2" NPT
850	61"	94"	51"	2" NPT
1000	67"	110"	63"	3" FLG
1350	93"	112"	76-7/8"	3" FLG
1700	117"	112"	81"	4" FLG
2100	129"	112"	81"	4" FLG
2400	135"	112"	82"	4" FLG
3100	139"	112"	84"	6" FLG
3800	159"	112"	101"	6" FLG
4300	169"	112"	106"	6" FLG
5000	179"	112"	109"	6" FLG



NOTES:
1.) DIMENSIONS ARE LIKELY TO CHANGE
2.) DIMENSIONS ARE FOR BASE F2 UNITS

UNLESS OTHERWISE SPECIFIED:		NAME	DATE	AIR/TAK	
DIMENSIONS ARE IN INCHES		DRAWN	NES	10/6/2022	NEW BETHLEHEM, PA 16242
TOLERANCES:		CHECKED			TITLE:
FRACTIONAL ± 1/8		ENG APPR.			DIMENSIONAL DRAWING FOR
ANGULAR ± 2		MFG APPR.			EHA UNITS
ONE PLACE DECIMAL ± .1		Q.A.			SIZE DWG. NO. REV
TWO PLACE DECIMAL ± .03					B (DIMENSIONS) EHA UNITS 1
THREE PLACE DECIMAL ± .005					SCALE: 1:16 WEIGHT: SHEET 1 OF 2
INTERPRET GEOMETRIC TOLERANCING PER:		PROPRIETARY AND CONFIDENTIAL		THE INFORMATION CONTAINED IN THIS DRAWING IS THE SOLE PROPERTY OF AIR/TAK. ANY REPRODUCTION IN PART OR AS A WHOLE WITHOUT THE WRITTEN PERMISSION OF AIR/TAK IS PROHIBITED.	
MATERIAL					
FINISH					
1	ADDED 2D DRAWING WITH DIMENSIONS UPDATED BOM/DIMENSIONS				
REV.	DESCRIPTION				
REVISION BLOCK		DO NOT SCALE DRAWING			



		UNLESS OTHERWISE SPECIFIED:	NAME	DATE	AIR/TAK		
		DIMENSIONS ARE IN INCHES	DRAWN	NES	10/6/2022	NEW BETHLEHEM, PA 16242	
		TOLERANCES:	CHECKED			TITLE:	
		FRACTIONAL ± 1/8	ENG APPR.			DIMENSIONAL DRAWING FOR	
		ANGULAR ± 2	MFG APPR.			NANO PRICEBOOK	
		ONE PLACE DECIMAL ± .1	Q.A.			SIZE DWG. NO.	
		TWO PLACE DECIMAL ± .03	PROPRIETARY AND CONFIDENTIAL THE INFORMATION CONTAINED IN THIS DRAWING IS THE SOLE PROPERTY OF AIR/TAK. ANY REPRODUCTION IN PART OR AS A WHOLE WITHOUT THE WRITTEN PERMISSION OF AIR/TAK IS PROHIBITED.		B ISOMERIC VIEW	REV	
		THREE PLACE DECIMAL ± .005				0	
		INTERPRET GEOMETRIC TOLERANCING PER:			SCALE: 1:16	WEIGHT:	SHEET 2 OF 2
		MATERIAL					
REV.	DESCRIPTION	FINISH					
	REVISION BLOCK	DO NOT SCALE DRAWING					