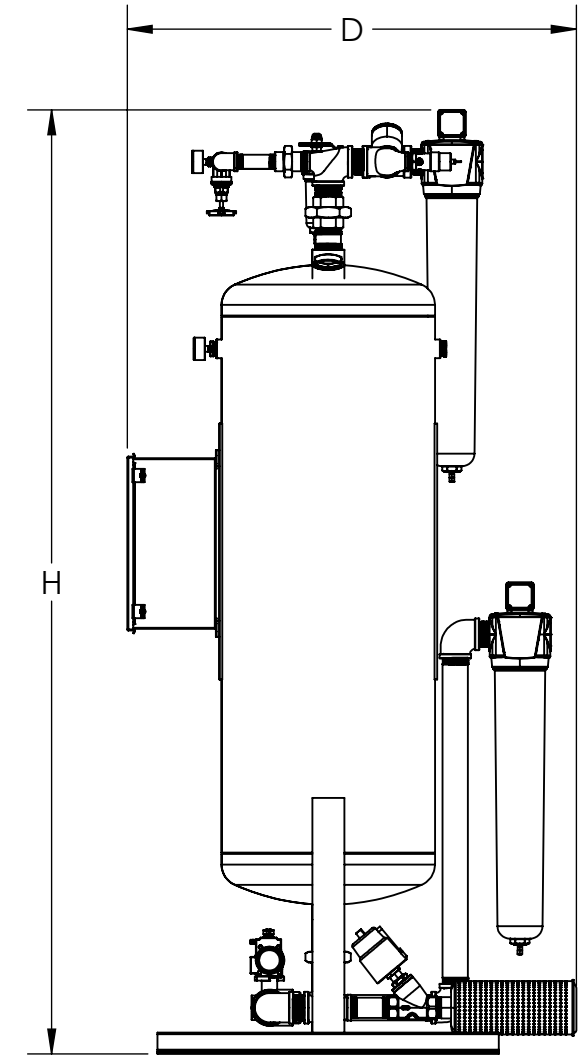
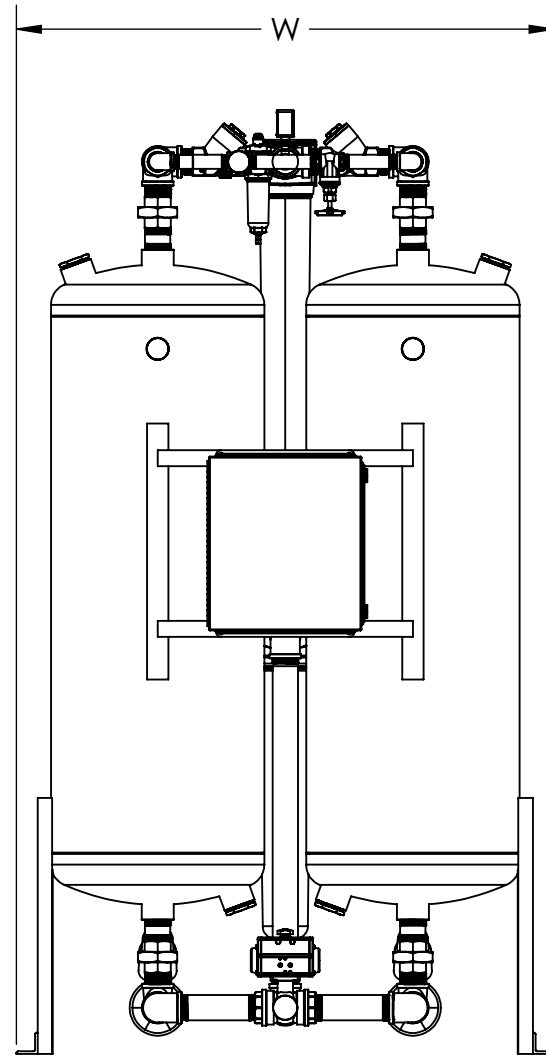
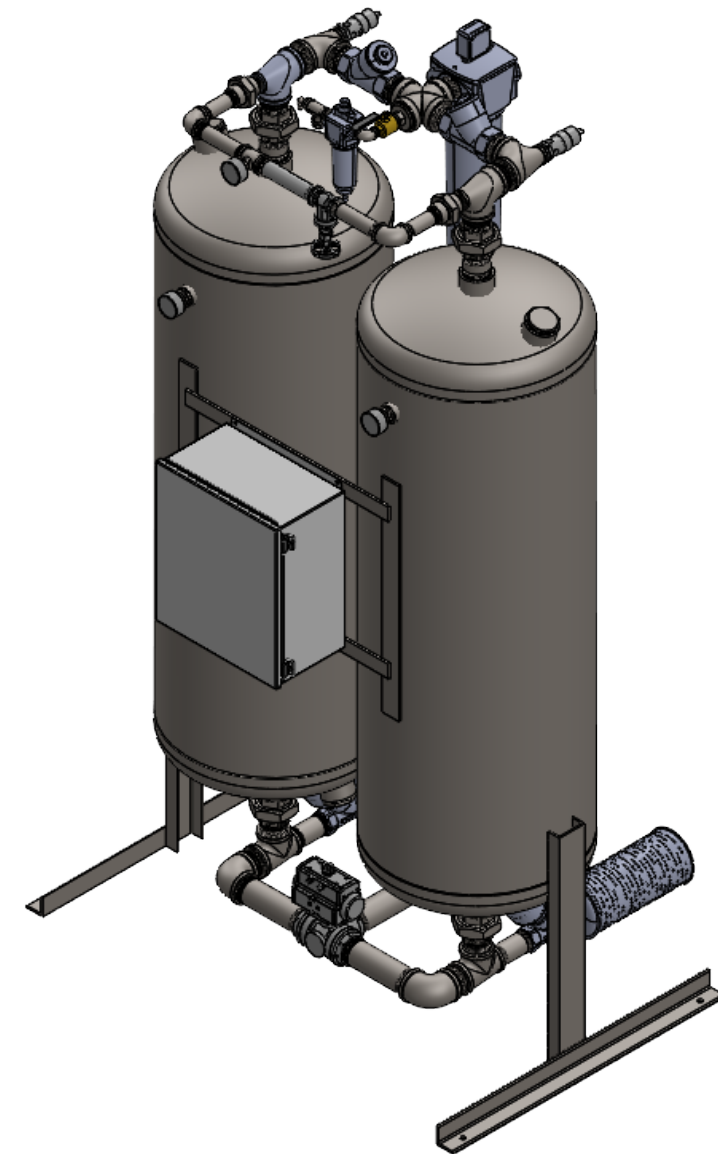
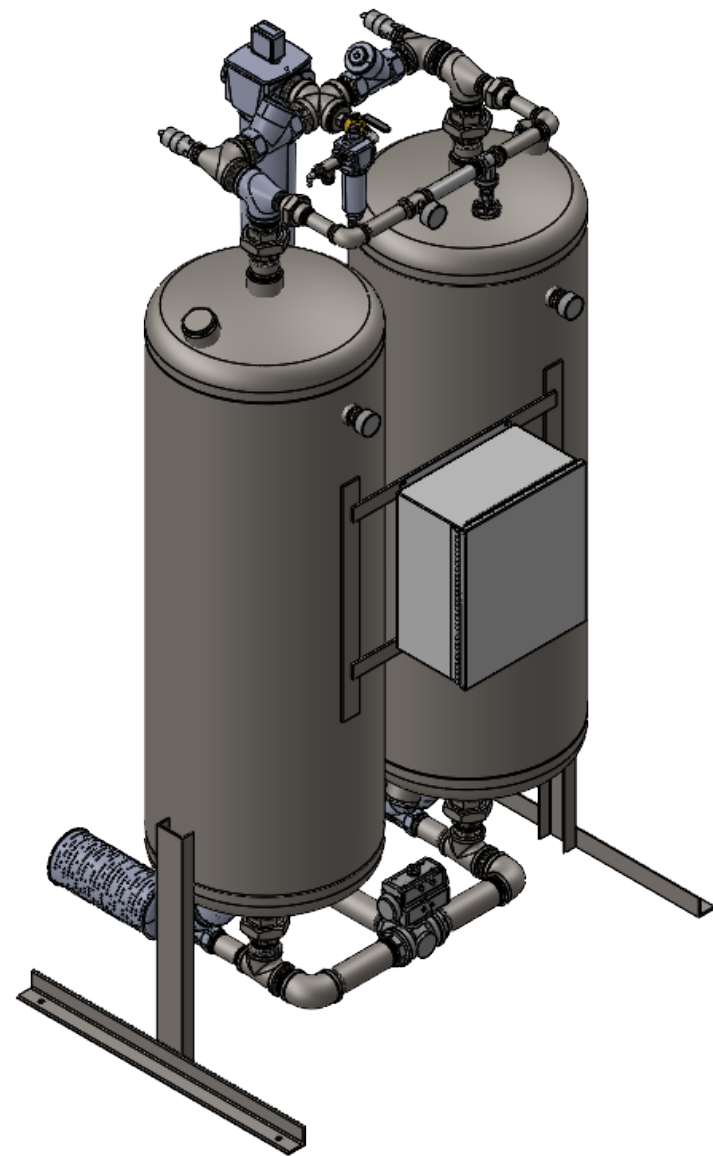


HLA UNIT	W	H	D	CONNECTION
50	36"	88"	30"	3/4" NPT
70	38"	88"	30"	3/4" NPT
100	38"	88"	31"	1" NPT
150	40"	89"	32"	1" NPT
200	41"	90"	31"	1-1/2" NPT
250	43"	87"	32"	1-1/2" NPT
350	45"	88"	33"	1-1/2" NPT
500	47"	89"	41"	2" NPT
650	51"	89"	43"	2" NPT
800	51"	89"	43"	2" NPT
1000	74"	97"	53"	3" FLG
1250	74"	112"	56"	3" FLG
1500	83"	112"	74"	3" FLG
2000	111"	112"	78"	4" FLG
2500	123"	112"	81"	4" FLG
3000	129"	112"	90"	6" FLG



NOTES:
1.) DIMENSIONS ARE LIKELY TO CHANGE
2.) DIMENSIONS ARE FOR BASE F2 UNITS

		UNLESS OTHERWISE SPECIFIED:	NAME	DATE	AIR/TAK				
		DIMENSIONS ARE IN INCHES	DRAWN	NES	10/6/2022	NEW BETHLEHEM, PA 16242			
		TOLERANCES:	CHECKED			TITLE:			
		FRACTIONAL ± 1/8	ENG APPR.			DIMENSIONAL DRAWING FOR			
		ANGULAR ± 2	MFG APPR.			HLA UNITS			
		ONE PLACE DECIMAL ± .1	Q.A.						
		TWO PLACE DECIMAL ± .03	PROPRIETARY AND CONFIDENTIAL THE INFORMATION CONTAINED IN THIS DRAWING IS THE SOLE PROPERTY OF AIR/TAK. ANY REPRODUCTION IN PART OR AS A WHOLE WITHOUT THE WRITTEN PERMISSION OF AIR/TAK IS PROHIBITED.				SIZE	DWG. NO.	REV
		THREE PLACE DECIMAL ± .005					B	(DIMENSIONS) HLA UNITS	1
		INTERPRET GEOMETRIC TOLERANCING PER:					SCALE: 1:18	WEIGHT:	SHEET 1 OF 2
1	ADDED 2D DRAWING WITH DIMENSIONS UPDATED BOM/DIMENSIONS	MATERIAL							
REV.	DESCRIPTION	FINISH							
REVISION BLOCK		DO NOT SCALE DRAWING							



		UNLESS OTHERWISE SPECIFIED:	NAME	DATE	AIR/TAK	
		DIMENSIONS ARE IN INCHES	DRAWN	NES	10/6/2022	NEW BETHLEHEM, PA 16242
		TOLERANCES:	CHECKED			TITLE:
		FRACTIONAL ± 1/8	ENG APPR.			DIMENSIONAL DRAWING FOR
		ANGULAR ± 2	MFG APPR.			NANO PRICEBOOK
		ONE PLACE DECIMAL ± .1	Q.A.			SIZE DWG. NO. REV
		TWO PLACE DECIMAL ± .03	PROPRIETARY AND CONFIDENTIAL THE INFORMATION CONTAINED IN THIS DRAWING IS THE SOLE PROPERTY OF AIR/TAK. ANY REPRODUCTION IN PART OR AS A WHOLE WITHOUT THE WRITTEN PERMISSION OF AIR/TAK IS PROHIBITED.		B ISOMETRIC VIEW 0	SCALE: 1:16 WEIGHT: SHEET 2 OF 2
		THREE PLACE DECIMAL ± .005				
		INTERPRET GEOMETRIC TOLERANCING PER:				
		MATERIAL				
REV.	DESCRIPTION	FINISH				
	REVISION BLOCK	DO NOT SCALE DRAWING				