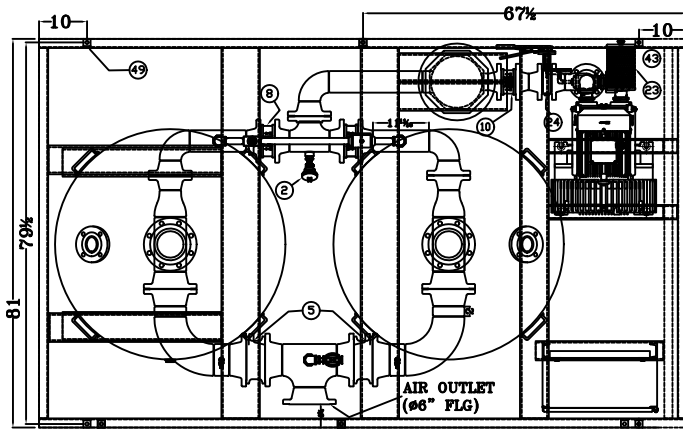
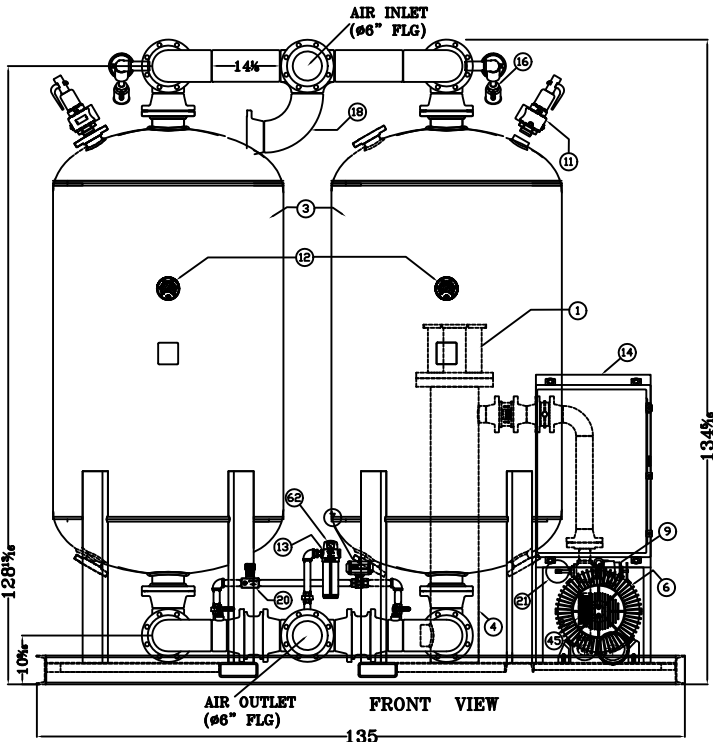


TOP VIEW OF UPPER PIPING



TOP VIEW OF LOWER PIPING



FRONT VIEW



ELECTRICAL ENCLOSURE (DETAIL VIEW)

SPECIFICATIONS:
 DESICCANT PER TOWER: 3750 LBS
 DESICCANT TYPE: #3/16" ACTIVATED ALUMINA
 APPROXIMATE WEIGHT OF UNIT: 12000LBS
 MAXIMUM ALLOWABLE WORKING PRESSURE: 150 PSIG
 MAXIMUM TOWER DESIGN TEMPERATURE: 450 °F
 DESIGN INLET TEMPERATURE: 100 °F
 DESIGN WORKING PRESSURE: 100 PSIG
 DRYING AIRFLOW: DOWNDRAFT
 REGENERATING AIR FLOW: UPDRAFT

REVISIONS		DATE	REV BY
ZONE	REV/SCO No	DESCRIPTION	
00	XXXXX	RELEASED	XXX
ITEM	QTY	DESCRIPTION	
1	1	HEATER HOUSING	
2	1	T TYPE THERMOCOUPLE FOR HEATER TEMPERATURE CONTROL/ PURGE AIR TEMP.	
3	2	DESICCANT TOWER (#42)	
4	1	HEATER 75 KW	
5	2	WAFER STYLE OUTLET CHECK VALVE (6" FLG)	
6	1	BLOWER (20 HP 480VAC-3PH-50HZ)	
7	1	REPRESSURIZATION BALL VALVE (1" NPT)	
8	2	PURGE CHECK VALVE (4" FLG)	
9	1	BLOWER PRESSURE RELIEF VALVE (2" NPT)	
10	1	BLOWER SAFETY CHECK VALVE (2" FLG)	
11	2	TOWER PRESSURE RELIEF VALVE (2" NPT)	
12	2	TOWER PRESSURE GAUGE (0-200 PSIG)	
13	1	CONTROL AIR FILTER (1/2" NPT)	
14	1	ELECTRICAL ENCLOSURE (10x24x36)	
15	2	INLET VALVE (6" FLG)	
16	2	DEPRESSURIZATION VALVE (1/2" NPT)	
17	2	PURGE EXHAUST VALVE (6" FLG)	
18	1	PURGE EXHAUST	
19	2	DEPRESSURIZATION MUFFLER (1.5" NPT)	
20	1	HEATLESS MODE ADJUSTMENT VALVE (1" FT)	
21	1	BLOWER BACK PRESSURE GAUGE (0-15 PSIG)	
22	1	BLOWER SAFETY PRESSURE SWITCH (NOT SHOWN)	
23	1	BLOWER INTAKE FILTER SILENCER (2" NPT)	
24	1	BLOWER ISOLATION VALVE (2" FLG)	
25	1	DEWPOINT MONITOR (OPTIONAL)	
26	1	POWER ON LIGHT	
27	1	POWER OFF/ON SWITCH	
28	1	DEMAND CYCLE OFF/ON SWITCH	
29	1	DRY AIR COOLING OFF/ON SWITCH	
30	1	MANUAL/AUTOMATIC SWITCH	
31	1	STEP CYCLE PUSHBUTTON (FOR THERMOCOUPLE ONLY)	
32	1	ALARM RESET PUSHBUTTON	
33	1	COMMON ALARM LIGHT (RED)	
34	1	TEXT DISPLAY	
35	1	HEATER TEMP./PURGE TEMP. CONTROLLER	
36	1	HEATER HI LIMIT/AMP RANGE CUTOFF TEMP. CONTROLLER	
37	1	LEFT TOWER PURGE EXHAUST PILOT SOLENOID VALVE, 3-WAY	
38	1	RIGHT TOWER PURGE EXHAUST PILOT SOLENOID VALVE, 3-WAY	
39	1	LEFT TOWER DEPRESSURIZATION PILOT SOLENOID VALVE, 3-WAY	
40	1	RIGHT TOWER DEPRESSURIZATION PILOT SOLENOID VALVE, 3-WAY	
41	1	REPRESSURIZATION PILOT SOLENOID VALVE, 3-WAY	
42	1	TOWER SELECTOR VALVE	
43	1	BLOWER FILTER ELEMENT CHANGE INDICATOR	
44	1	HEATER HI LIMIT THERMOCOUPLE T TYPE, (LOCATED INSIDE HEATER; NOT SHOWN)	
45	1	BLOWER FLEX CONNECTOR	
46		NOT USED	
47		NOT USED	
48		NOT USED	
49	6	MONITORING HOLE (#11/16")	
50-52		NOT USED	
53	1	FLOW METER	
54	2	DEWPOINT SENSOR ISOLATION VALVES	
55	1	DEWPOINT SENSOR SAMPLE CELL	
56	1	DEWPOINT SENSOR	
57	1	DEWPOINT SENSOR EXHAUST	
58	1	LEFT TOWER LOW PRESSURE SWITCH (NOT SHOWN)	
59	1	LEFT TOWER HIGH PRESSURE SWITCH (NOT SHOWN)	
60	1	RIGHT TOWER LOW PRESSURE SWITCH (NOT SHOWN)	
61	1	RIGHT TOWER HIGH PRESSURE SWITCH (NOT SHOWN)	
62	3	PRESSURE DIFFERENTIAL INDICATOR	

TOLERANCES U.O.S	FINISH: <input type="checkbox"/> 32 UNLESS NOTED	THIRD ANGLE PROJECTION DO NOT SCALE DRAWING nano-psi CORPORATION ID, DRYER BLOWER PURGE NBP-8000	REV	CAGE CODE	DRG No	REV	
DIMENSIONS ARE IN INCHES	<input type="checkbox"/> AS CAST UNLESS NOTED		C	31654	NBP-8000-M1	00	
ALL DIMENSIONS: ±1/16"	MATERIAL SPEC:		SCALE	NONE	12000 LBS	SHEET	1 of 1
ANGULAR DIMENSION: ±1.0°	HEAT TREAT:		PROJ CODE	SA	11-04-13		
BOLT DIMENSION: ±0.03	TURQUIS SPEC:	DATE					
	HAMP SPEC:						
	FINISH SPEC: SEE NOTE						