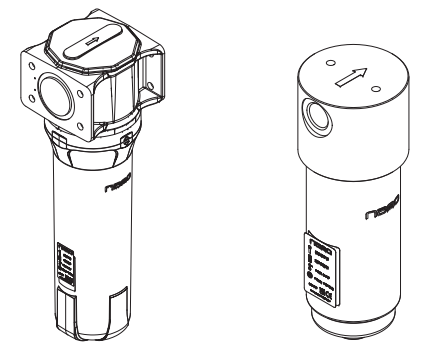
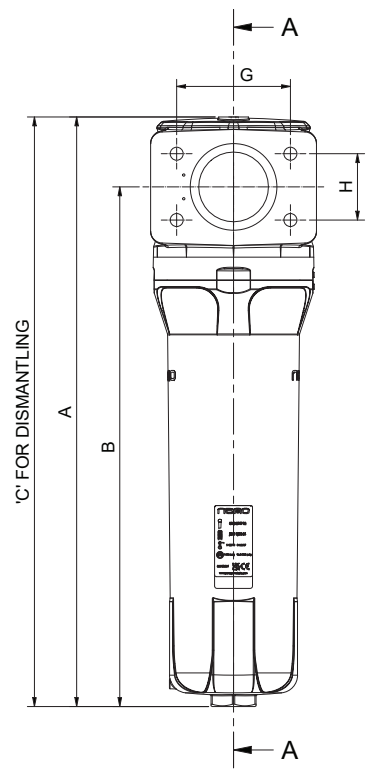
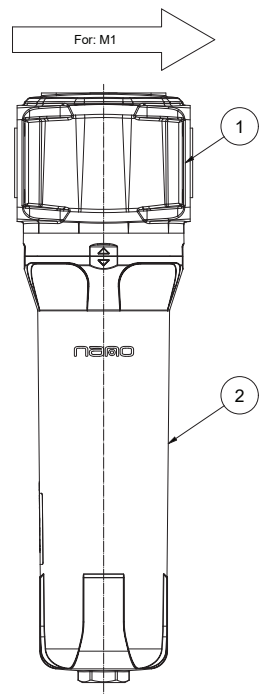
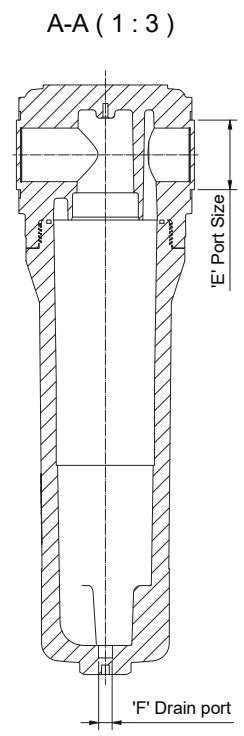


All materials supplied are in compliance with the requirements of the List of Prohibited Substances

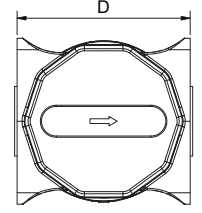
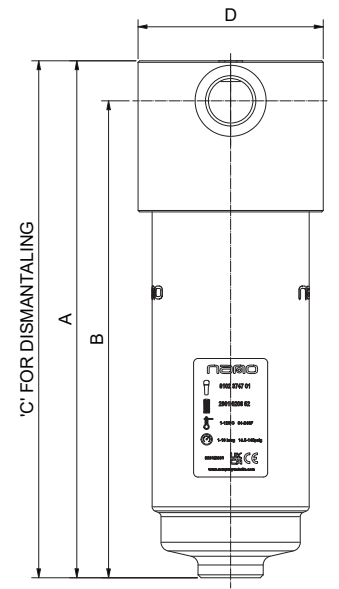
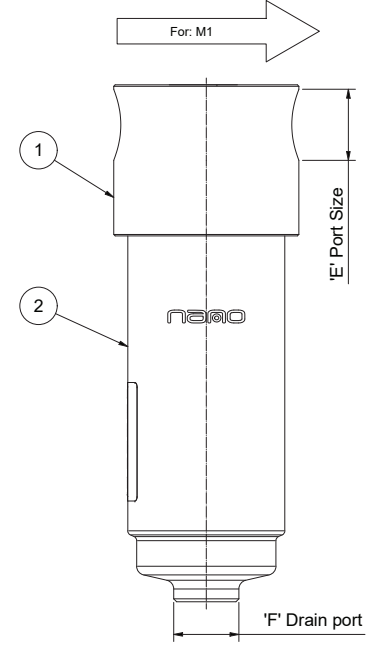
Sizes	Nominal flow scfm	Designation For 'NPT' thread	A	B	C	D	E	F	G	H	Mass wt (lbs)	PED category
1	15	M1	5.7	5.2	7.6	2.5	1/4	1/4	-	-	1.6	Art. 4.3
2	30	M1	6.9	6.3	8.8	2.5	3/8	1/4	-	-	1.8	Art. 4.3
3	65	M1	11.0	9.2	14.2	4.3	1/2	1/4	2.8	1.7	7.8	Art. 4.3
4	75	M1	11.0	9.2	14.2	4.3	3/4	1/4	2.8	1.7	7.8	Art. 4.3
5	150	M1	14.4	12.5	17.5	4.3	1	1/4	2.8	1.7	9.3	Art. 4.3
7	300	M1	19.6	17.3	23.5	5.7	1 1/2	1/4	3.8	2.2	20.4	Art. 4.3
8	450	M1	19.6	17.3	23.5	5.7	2	1/4	3.8	2.2	20.4	Art. 4.3
9	650	M1	27.5	25.2	31.5	5.7	2	1/4	3.8	2.2	26.0	Art. 4.3
10	1000	M1	29.2	25.6	33.9	9.1	3	1/4	5.5	3.1	46.7	CAT I
11	1250	M1	33.9	30.3	38.6	9.1	3	1/4	5.5	3.1	50.2	CAT I
12	1600	M1	39.7	36.1	44.4	9.1	3	1/4	5.5	3.1	53.8	CAT I



For Sizes 3-11



For Sizes 1-2



Item No.	Description	Material	Colour	Remark
1	HEAD	ALUMINIUM	BLACK	CAST HEAD
2	BOWL	ALUMINIUM	BLACK	CAST BOWL

NOTES:
1) All dimensions are in inches.

Tolerances, if not indicated, according to:											
Name DIMENS. DRWG 15 to 1600 (DIMENSION DWG.)										Confidentiality Class acc. to 1102 K Confidential	
Material See Drawing										Treatment INV	
Scale 1 : 5										Family A2 Compare	
Drawn by a90005762										Blank nr.	
Version Drwg										Kg Fini wt. N/A	
STATUS										Designation	
Parent 3D model										Ed . Version 3D	
WorkInProgress										Des checked. Prod checked. Approved. Date 02/06/2024	
										Sheet 2 / 2	
										9827700450-01	

CONFIDENTIAL: This document is our property and shall not be used without our permission. All rights reserved. No part of this document may be reproduced or transmitted in any form or by any means electronic or mechanical, including photocopying, recording, or by any information storage and retrieval system, without permission in writing from our company.

Ed	Position	Modified from	Date	Intr./Appd.
1				