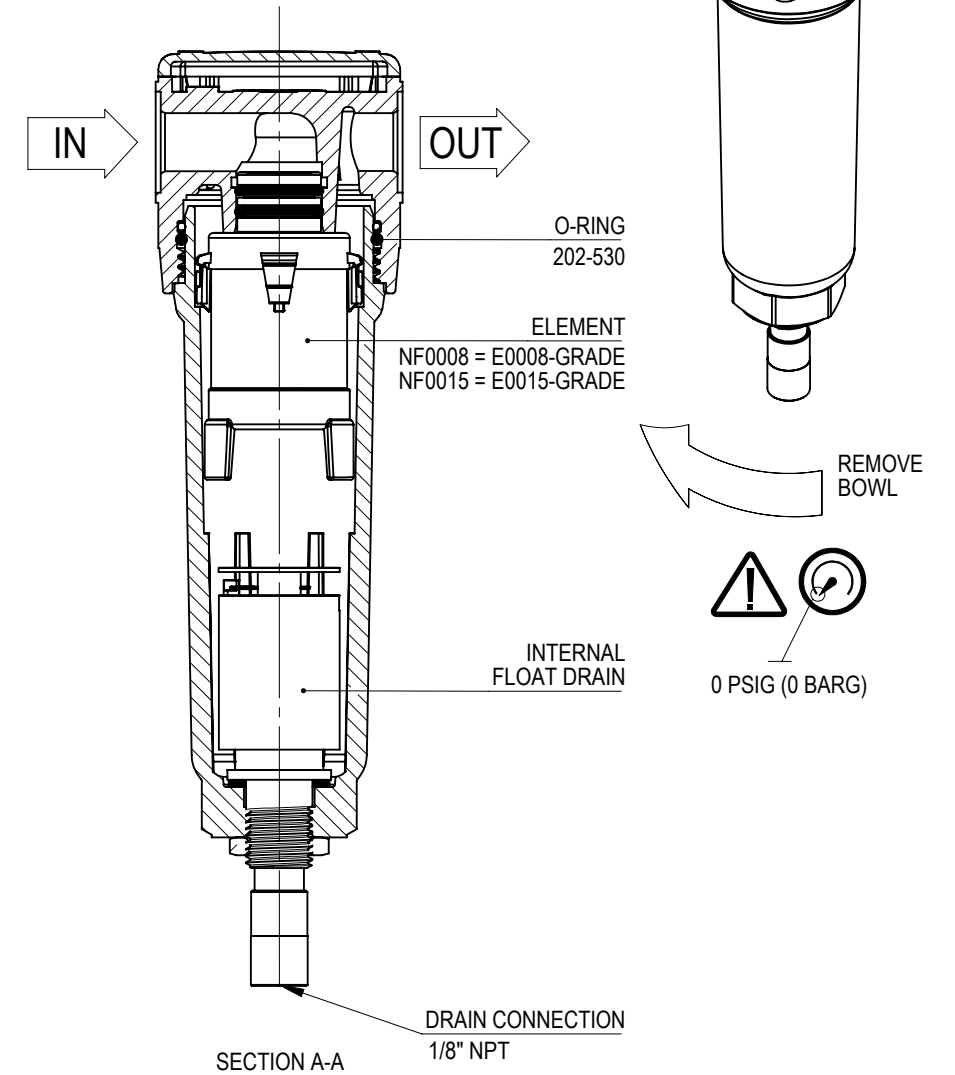
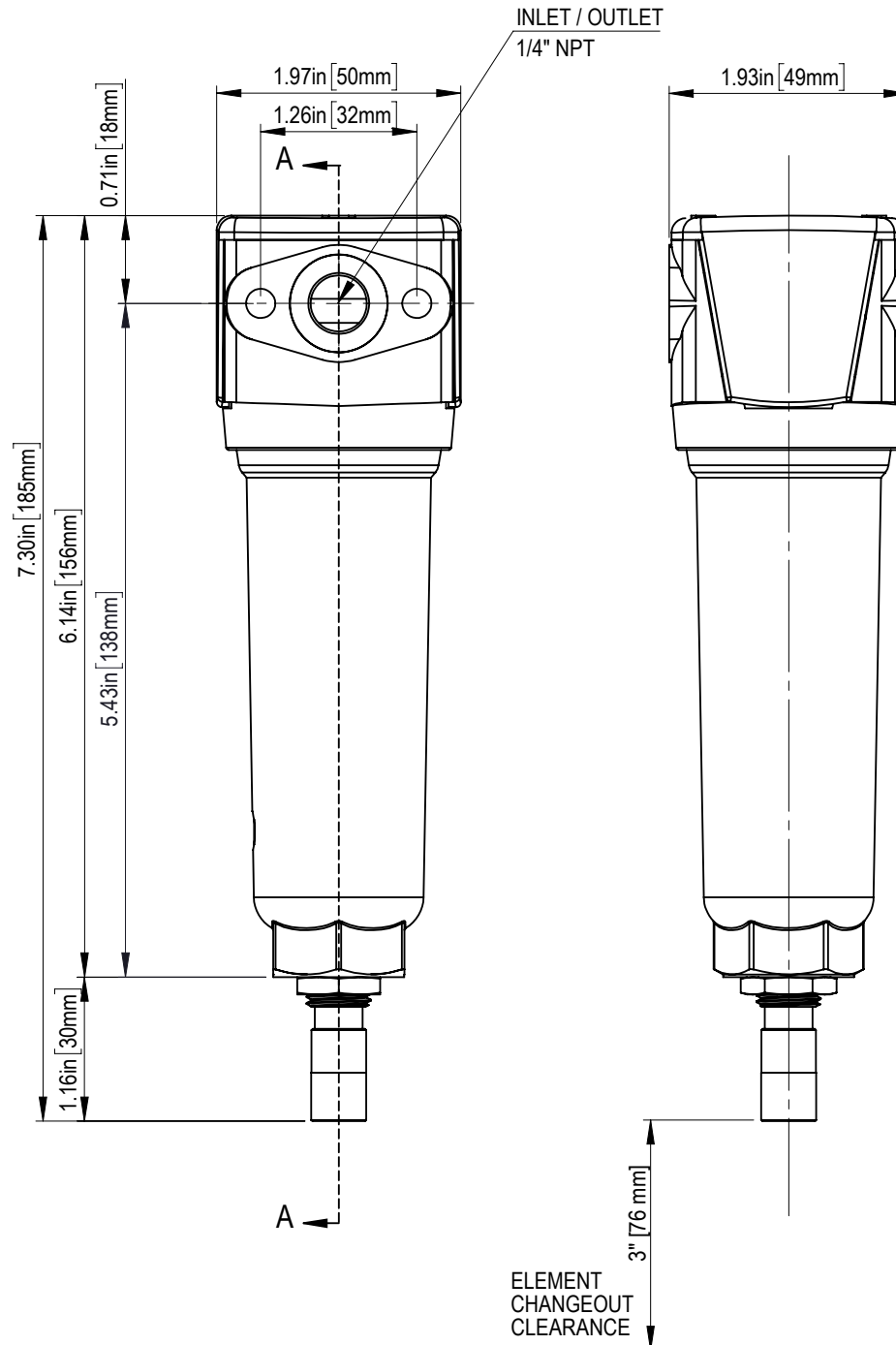
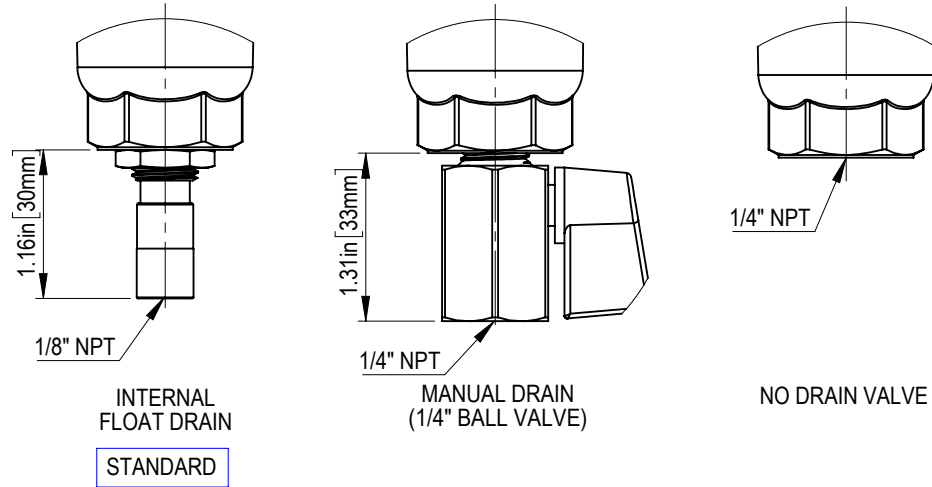


DRAIN OPTIONS:



SPECIFICATIONS:	
1.0	HOUSING DESIGN PARAMETERS:
1.1	RATED FLOW @ 100 PSIG: NF0008 = 8 SCFM, NF0015 = 15 SCFM
1.2	MAXIMUM WORKING PRESSURE: 232 PSIG
1.3	DESIGN TEMP RANGE: MIN:35°F, MAX: 250°F (FLOAT DRAIN = MAX: 176°F)
2.0	MATERIALS OF CONSTRUCTION:
2.1	HOUSING:
2.11	CASTINGS: EP COATED, CAST ALUMINUM WITH POWDER COATED EXTERIOR.
2.12	PLASTIC TRIM CAPS: GLASS FILLED NYLON
2.13	ALL SEALS: 70 DUROMETER, BUNA NITRILE
2.2	ELEMENT:
2.21	ENDCAPS: COLOR CODED, GLASS FILLED NYLON
2.22	SUPPORT CYLINDERS: STAINLESS STEEL
2.23	MEDIAS: GLASS MICROFIBER
2.24	ENDCAP ADHESIVE: POLYURETHANE
2.25	DRAINAGE SOCK (M5, M1, & M01 ONLY): POLYESTER
2.26	O-RINGS, 70 DUROMETER, BUNA NITRILE
3.0	FILTRATION OPTIONS:
3.1	AVAILABLE FILTRATION GRADES:
3.11	M5, (GREEN ENDCAPS) MEDIUM FILTRATION, 5.0 μ, 5 ppm
3.12	M1, (RED ENDCAPS) FINE FILTRATION, 1.0 μ, 0.1 ppm
3.13	M01, (BLUE ENDCAPS) HIGH EFFICIENCY FILTRATION, 0.01 μ, 0.01 ppm
3.14	AC, (BLACK ENDCAPS, NO SOCK), ACTIVATED CARBON, 0.01 μ, 0.003 ppm
3.2	AIR FLOW DIRECTION THROUGH ELEMENT: INSIDE TO OUT
4.0	DRAIN OPTIONS:
4.1	STANDARD: INTERNAL FLOAT DRAIN (STANDARD)
4.2	MANUAL DRAIN: 1/4\"/>
4.3	NO DRAIN VALVE, OPEN THREADED (1/4\"/>
5.0	DIFFERENTIAL PRESSURE OPTIONS:
5.1	NO DIFFERENTIAL PRESSURE OPTIONS AVAILABLE

<p>3RD ANGLE PROJECTION</p>	UNLESS OTHERWISE SPECIFIED:	NAME:	DATE:	TITLE:					
	<p>DIMENSIONS ARE IN INCHES</p> <p>TOLERANCES:</p> <p>FRACTIONAL: ±</p> <p>ANGULAR: ±</p> <p>TWO PLACE DECIMAL ±</p> <p>THREE PLACE DECIMAL ±</p>	DRAWN: RAF	08/31/20	<p>nano F-Series¹</p> <p>COMPRESSED AIR & GAS FILTERS</p> <p>MODELS NF0008 & NF0015</p>					
<p>PROPRIETARY AND CONFIDENTIAL</p> <p>THE INFORMATION CONTAINED IN THIS DRAWING IS THE SOLE PROPERTY OF NANO-PURIFICATION SOLUTIONS. ANY REPRODUCTION IN PART OR AS A WHOLE WITHOUT THE WRITTEN PERMISSION OF NANO-PURIFICATION SOLUTIONS IS PROHIBITED.</p>	CHECKED: RAF	08/31/20	<table border="1"> <tr> <td>SIZE</td> <td>DWG. NO.</td> <td>REV</td> </tr> <tr> <td>B</td> <td>NANO-6642</td> <td></td> </tr> </table>		SIZE	DWG. NO.	REV	B	NANO-6642
SIZE	DWG. NO.	REV							
B	NANO-6642								
<p>DO NOT SCALE DRAWING</p>	<p>COMMENTS:</p>	<p>SCALE: 1:1.5</p>	<p>WEIGHT: 0.7 LBS</p>	<p>SHEET 1 OF 1</p>					