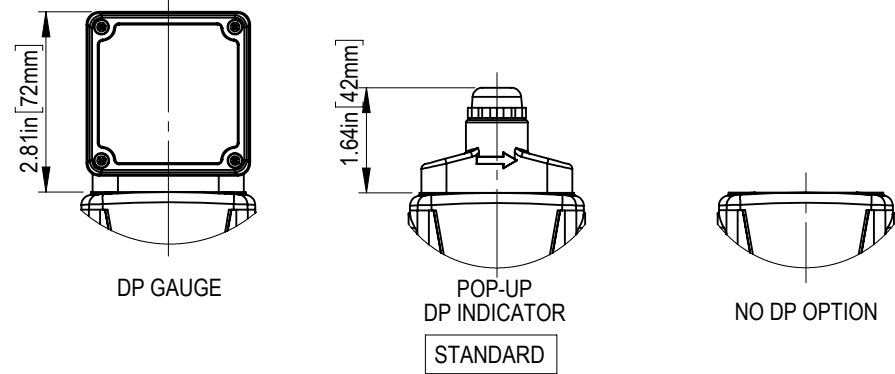
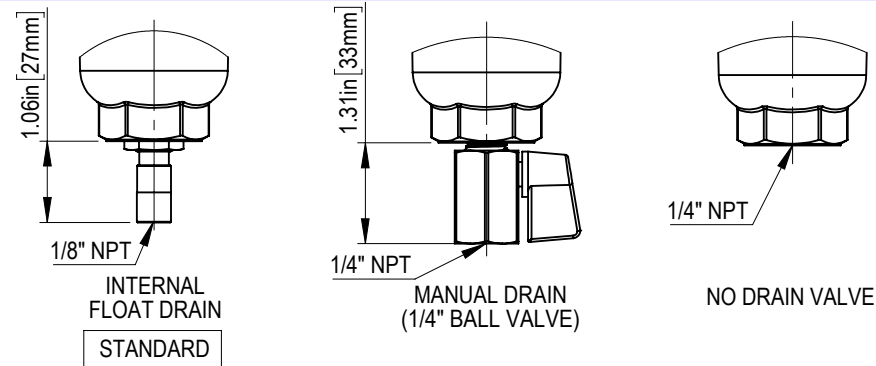


DIFFERENTIAL PRESSURE OPTIONS:

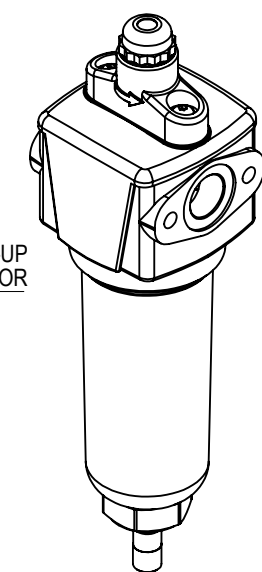
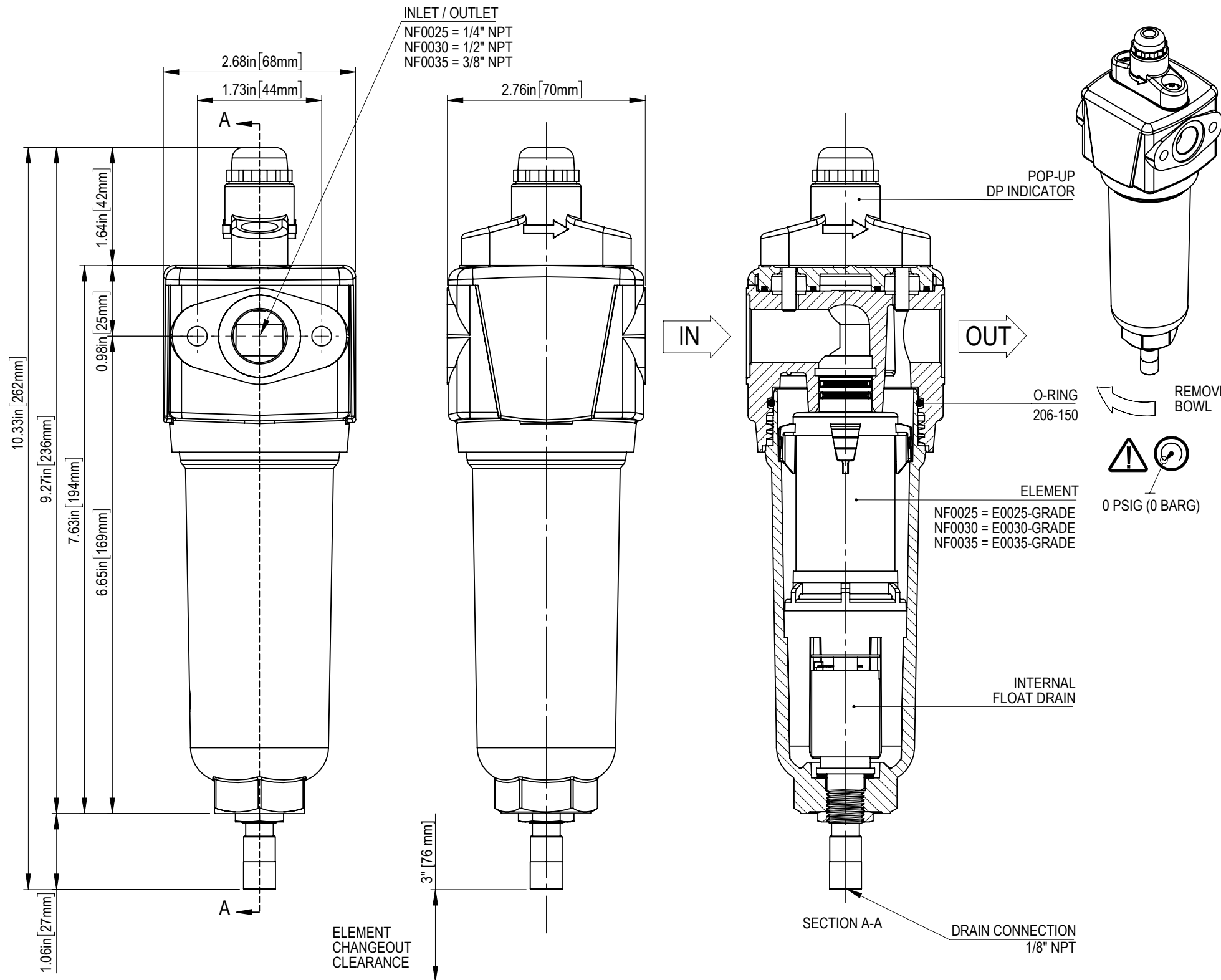


DRAIN OPTIONS:



SPECIFICATIONS:

1.0	HOUSING DESIGN PARAMETERS:
1.1	RATED FLOW @ 100 PSIG: NF0025 = 25 SCFM, NF0030=30 SCFM, NF0035 = 35 SCFM
1.2	MAXIMUM WORKING PRESSURE: 232 PSIG
1.3	DESIGN TEMP RANGE: MIN:35°F, MAX: 250°F (FLOAT DRAIN = MAX: 176°F)
2.0	MATERIALS OF CONSTRUCTION:
2.1	HOUSING:
2.11	CASTINGS: EP COATED, CAST ALUMINUM WITH POWDER COATED EXTERIOR.
2.12	PLASTIC TRIM CAPS: GLASS FILLED NYLON
2.13	ALL SEALS: 70 DUROMETER, BUNA NITRILE
2.2	ELEMENT:
2.21	ENDCAPS: COLOR CODED, GLASS FILLED NYLON
2.22	SUPPORT CYLINDERS: STAINLESS STEEL
2.23	MEDIAS: GLASS MICROFIBER
2.24	ENDCAP ADHESIVE: POLYURETHANE
2.25	DRAINAGE SOCK (M5, M1, & M01 ONLY): POLYESTER
2.26	O-RINGS, 70 DUROMETER, BUNA NITRILE
3.0	FILTRATION OPTIONS:
3.1	AVAILABLE FILTRATION GRADES:
3.11	M5, (GREEN ENDCAPS) MEDIUM FILTRATION, 5.0 μ, 5 ppm
3.12	M1, (RED ENDCAPS) FINE FILTRATION, 1.0 μ, 0.1 ppm
3.13	M01, (BLUE ENDCAPS) HIGH EFFICIENCY FILTRATION, 0.01 μ, 0.01 ppm
3.14	AC, (BLACK ENDCAPS, NO SOCK), ACTIVATED CARBON, 0.01 μ, 0.003 ppm
3.2	AIR FLOW DIRECTION THROUGH ELEMENT: INSIDE TO OUT
4.0	DRAIN OPTIONS:
4.1	STANDARD: INTERNAL FLOAT DRAIN (STANDARD)
4.2	MANUAL DRAIN: 1/4" BALL VALVE
4.3	NO DRAIN VALVE, OPEN THREADED (1/4" NPT) CONNECTION
5.0	DIFFERENTIAL PRESSURE OPTIONS:
5.1	DIFFERENTIAL PRESSURE GAUGE
5.2	POP-UP DIFFERENTIAL PRESSURE INDICATOR (STANDARD)
5.3	NO DIFFERENTIAL PRESSURE OPTION



REMOVE BOWL
 O-RING 206-150
 ELEMENT
 NF0025 = E0025-GRADE
 NF0030 = E0030-GRADE
 NF0035 = E0035-GRADE
 0 PSIG (0 BARG)

3RD ANGLE PROJECTION 	UNLESS OTHERWISE SPECIFIED:	NAME:	DATE:	TITLE: nano F-Series¹ COMPRESSED AIR & GAS FILTERS MODELS NF0025, NF0030 & NF0035
	DIMENSIONS ARE IN INCHES TOLERANCES: FRACTIONAL ± ANGULAR: TWO PLACE DECIMAL ± THREE PLACE DECIMAL ±	DRAWN: RAF	08/31/20	
PROPRIETARY AND CONFIDENTIAL THE INFORMATION CONTAINED IN THIS DRAWING IS THE SOLE PROPERTY OF NANO-PURIFICATION SOLUTIONS. ANY REPRODUCTION IN PART OR AS A WHOLE WITHOUT THE WRITTEN PERMISSION OF NANO-PURIFICATION SOLUTIONS IS PROHIBITED.	MATERIAL	CHECKED: RAF	08/31/20	SIZE: B DWG. NO. NANO-6652 REV:
	DO NOT SCALE DRAWING	COMMENTS:		