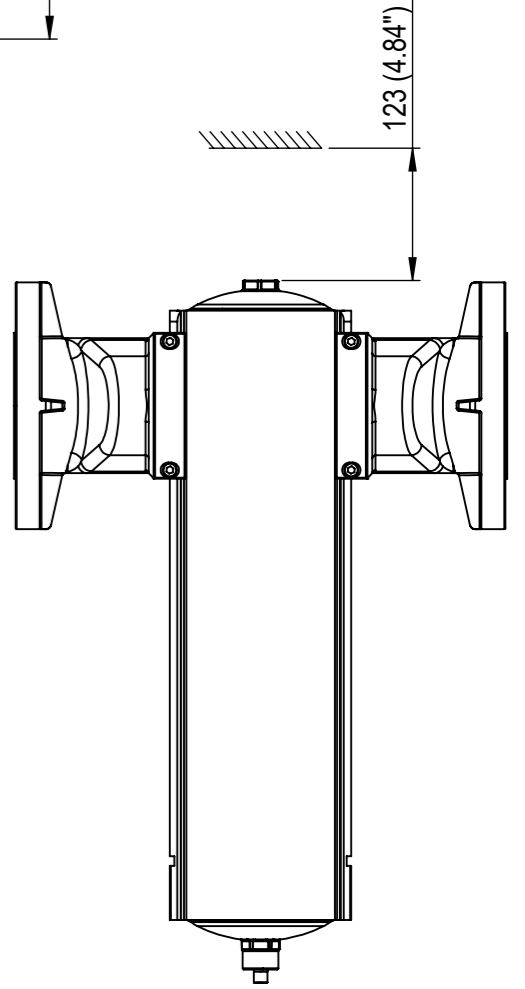
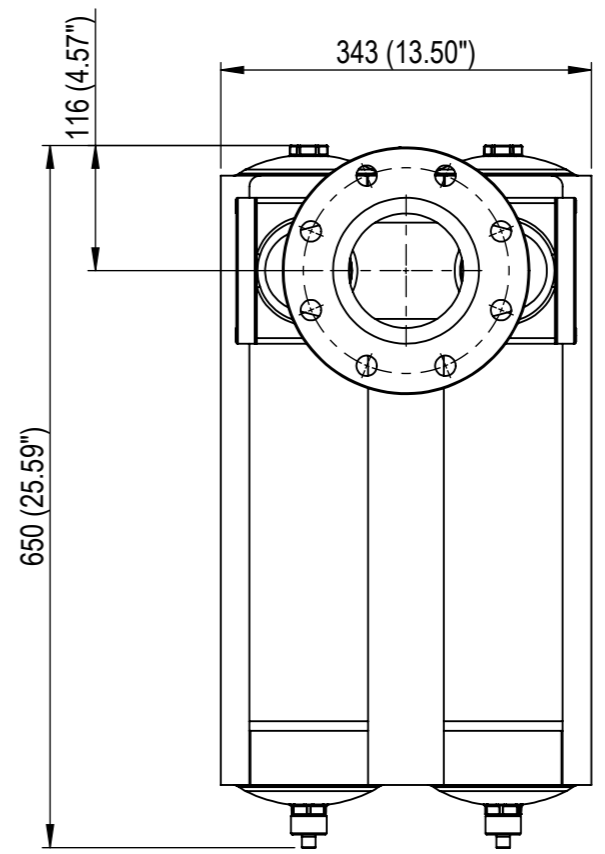
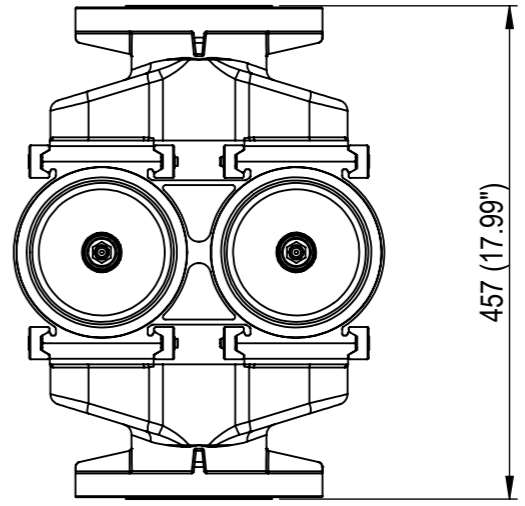
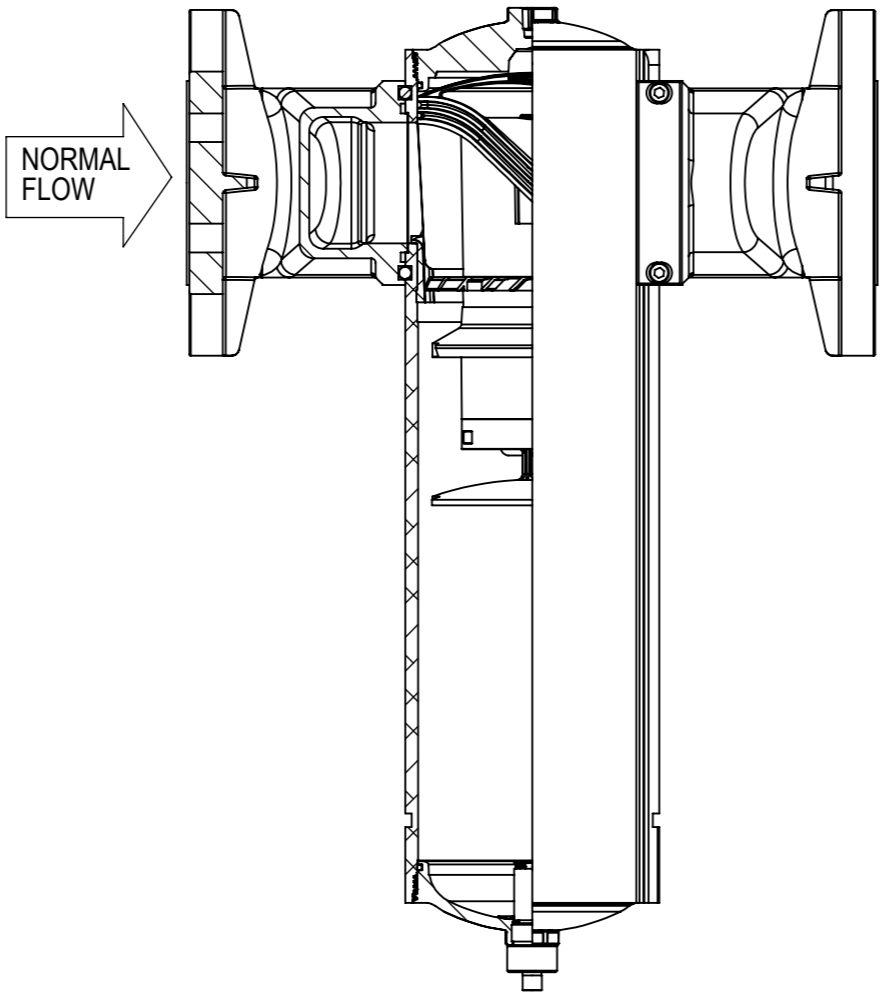
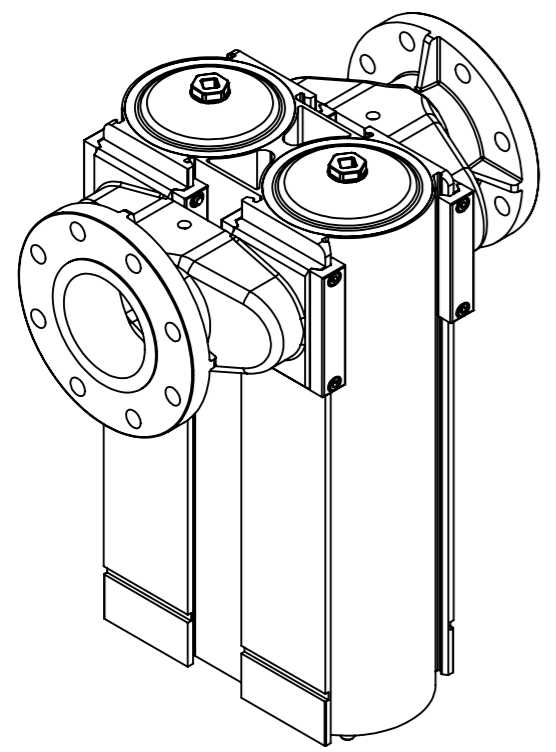


GENERAL PROPERTIES	
GOVERNING DIRECTIVE:	
DIRECTIVE 2014/68/EU	
CONFORMITY ASSESSMENT CATEGORY:	
CAT.II	
UNIT VOLUME:	
25.7 LITRE (1568.0 in <sup>3</sup> )	
GAS TYPE:	
COMPRESSED AIR - GROUP 2	
UNIT MASS:	
29.3Kg (64.60 lb)	
PORT SIZE (A):	
4"	
FLOW RATE:	
5097 Nm <sup>3</sup> /h (3000 SCFM)	
FLANGE OPTIONS:	
ISO FLANGE (DIN80 PN16)	ANSI FLANGE (ANSI B16.5 CLASS150)
DRAIN PORT OPTIONS:	
AUTOMATIC	
MAXIMUM ALLOWABLE WORKING PRESSURE:	
16 barg (232 psig)	



ISO VIEW



				PROJECT REFERENCE		 www.nano-purification.com		DRG. TITLE	DRG. NUMBER	MATERIAL	DRG. SIZE
				DESIGN REF				NFE3000WS-ND	A3-42-1331		A3
				CREATED BY	DATE			CHECK			SCALE
				richa	30.11.17			BM			1:10
				REVISED BY	DATE			REV			
				richa	30.11.17			A			
REV	CHANGE ORDER	DATE	BY								