

| DRAIN PORT TYPE: | MAX. ALLOWABLE WORKING PRESSURE: |
|------------------|----------------------------------|
| AUTOMATIC | 16 barg (232 psig) |
| MANUAL | 20.7 barg (300 psig) |

GENERAL PROPERTIES

FILTER MODEL OPTIONS:

| | | | | |
|-----------------|-----------------|-----------------|-----------------|------------------|
| SIZE 6 - GF0070 | SIZE 7 - GF0085 | SIZE 8 - GF0105 | SIZE 9 - GF0125 | SIZE 10 - GF0175 |
|-----------------|-----------------|-----------------|-----------------|------------------|

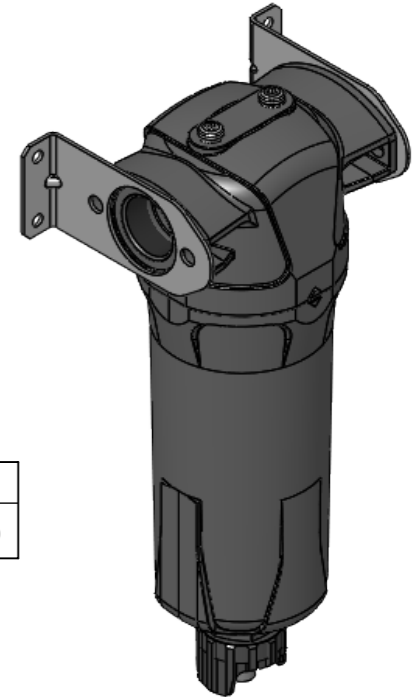
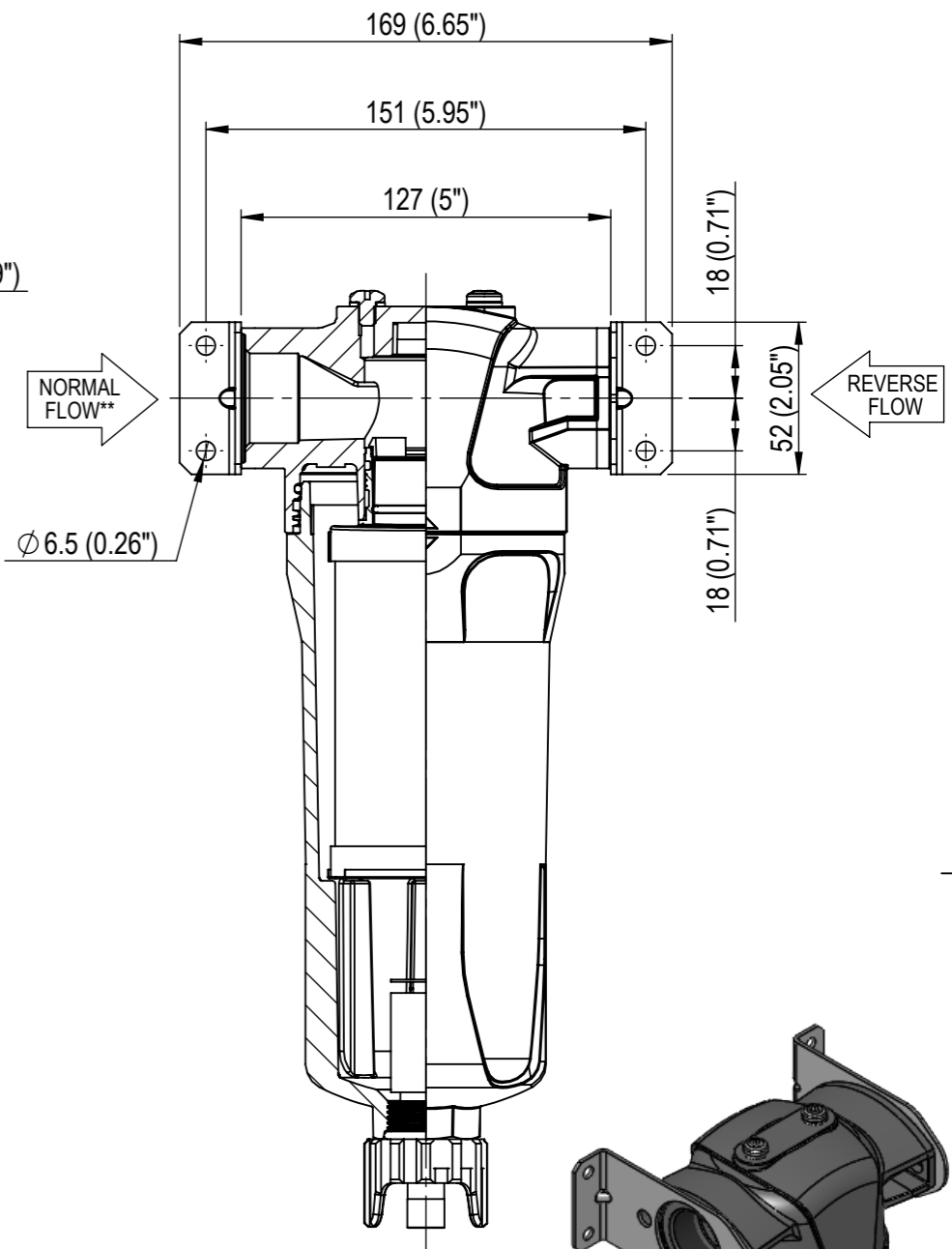
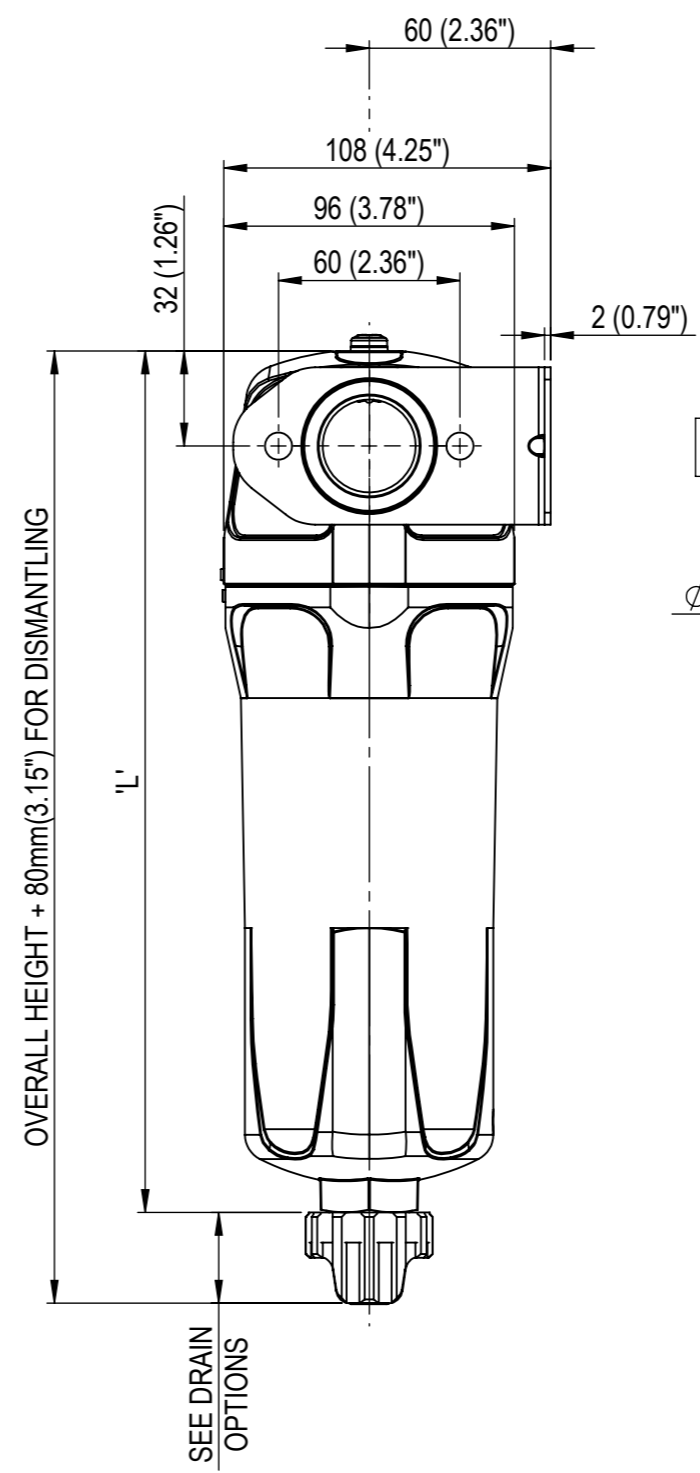
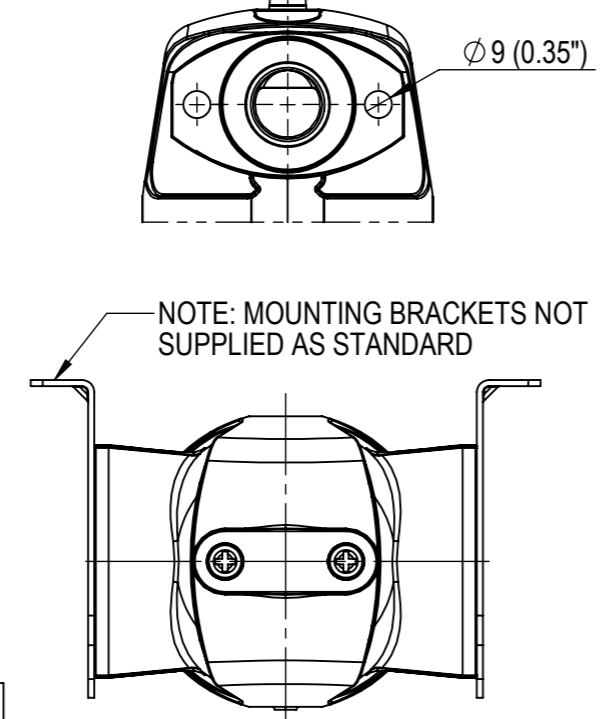
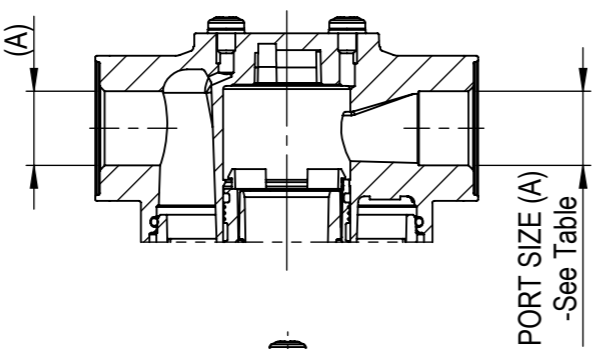
PORT SIZE (A) VALID FOR G & NPT CONNECTIONS:

| | | | | |
|------|------|----|------|----|
| 1/2" | 3/4" | 1" | 3/4" | 1" |
|------|------|----|------|----|

FLOW RATE:

| | | | | |
|--------------------|--------------------|---------------------|---------------------|---------------------|
| 33.1 l/s (70 SCFM) | 40.0 l/s (85 SFCM) | 49.4 l/s (105 SFCM) | 58.9 l/s (125 SFCM) | 82.5 l/s (175 SFCM) |
|--------------------|--------------------|---------------------|---------------------|---------------------|

| FILTER GRADE | FLOW DIRECTION | PARTICLE REMOVAL | MAX OIL CARRYOVER AT 20°C | MAX PARTICLE SIZE CLASS* | MAX OIL CONTENT CLASS* | PRESSURE LOSS - CLEAN & DRY | PRESSURE LOSS - SATURATED | MAX AIR INLET TEMP. WTH AUTOMATIC DRAIN | MAX AIR INLET TEMP. WTH MANUAL DRAIN | END CAP COLOUR |
|--------------|----------------|------------------|---------------------------|--------------------------|------------------------|-----------------------------|---------------------------|---|--------------------------------------|----------------|
| M1 | N | - | 0.3mg/m ³ | 3 | 3 | 55mbar (0.8psi) | 125mbar (1.8psi) | 80°C (176°F) | N/A | RED |
| M01 | N | - | 0.01mg/m ³ | 1 | 2 | 85mbar (1.2psi) | 125mbar (1.8psi) | 80°C (176°F) | N/A | BLU |
| AC | N | - | 0.003mg/m ³ | - | 1 | 115mbar (1.7psi) | - | N/A | 50°C (122°F) | BLK |
| RM1 | REV | 1µm | - | 3 | - | 55mbar (0.8psi) | - | N/A | 120°C (248°F) | RED |



| FILTER | SIZE 6 | SIZE 7 | SIZE 8 | SIZE 9 | SIZE 10 |
|---------|--------------|--------------|--------------|--------------|--------------|
| DIM 'L' | 285 (11.22") | 285 (11.22") | 285 (11.22") | 371 (14.61") | 371 (14.61") |

* CLASS IN ACCORDANCE WITH ISO8573-1:2010
 ** FLOW DIRECTION VISUALLY INDICATED ON FILTER HOUSING

| | | | | | | | | | | | | | | | | | | | |
|-----|--|--|--|--------------|--|------|--|----|--|-------------------|--|---|--|-------------|--|----------|--|--------------|--|
| REV | | | | CHANGE ORDER | | DATE | | BY | | PROJECT REFERENCE | | DRG. TITLE | | DRG. NUMBER | | MATERIAL | | DRG. SIZE | |
| | | | | | | | | | | DESIGN REF | | SIZE 6, 7, 8, 9 & 10 FILTER SPECIFICATION | | A3- 42-1421 | | N/A | | A3 | |
| | | | | | | | | | | CREATED BY IA | | DATE 29.7.19 | | | | | | SCALE 1:5 | |
| | | | | | | | | | | REVISED BY JL | | DATE 9.9.19 | | | | | | CHECK IA | |