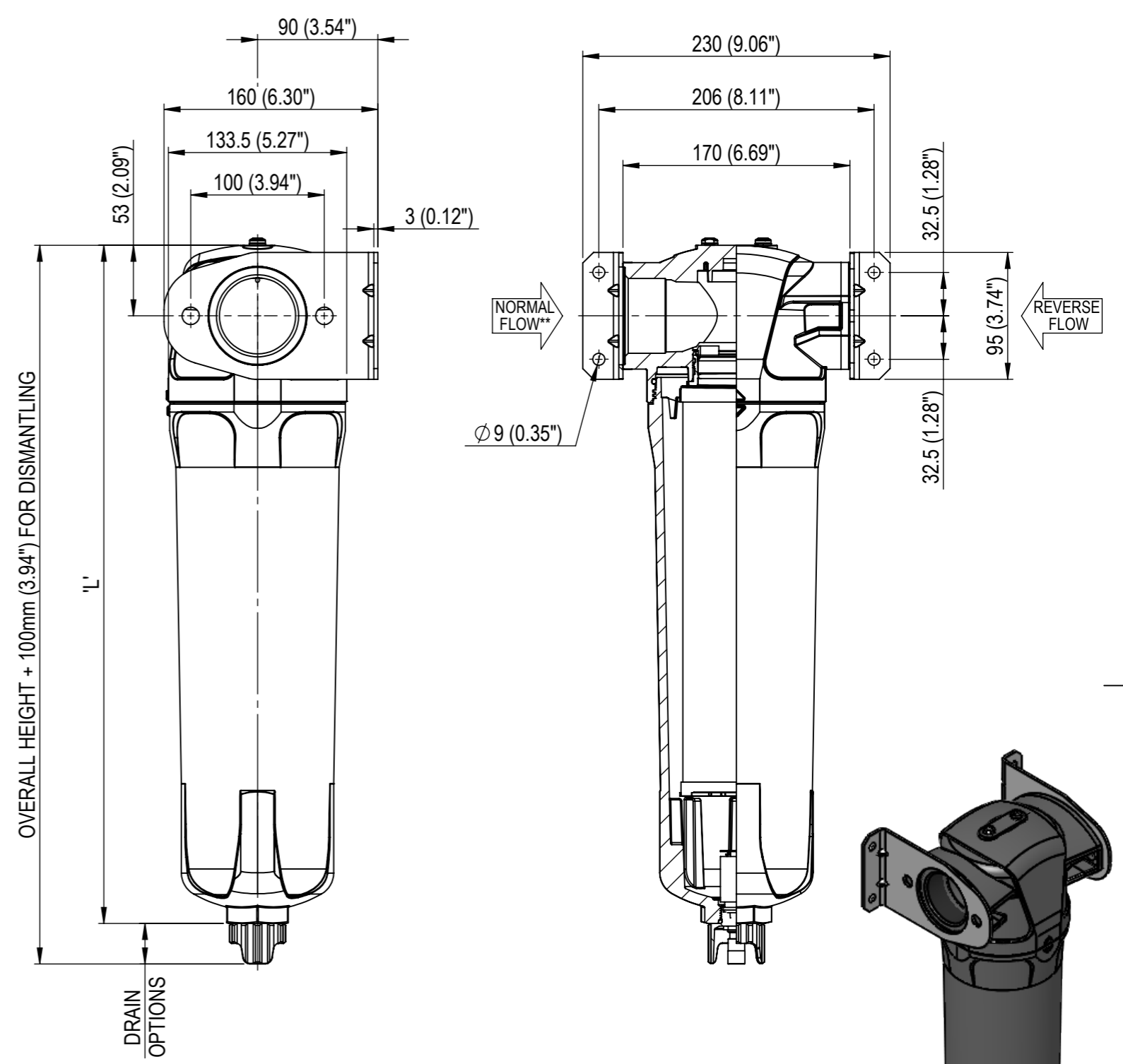


DRAIN PORT TYPE:	MAX. ALLOWABLE WORKING PRESSURE:
AUTOMATIC	16 barg (232 psig)
MANUAL	20.7 barg (300 psig)

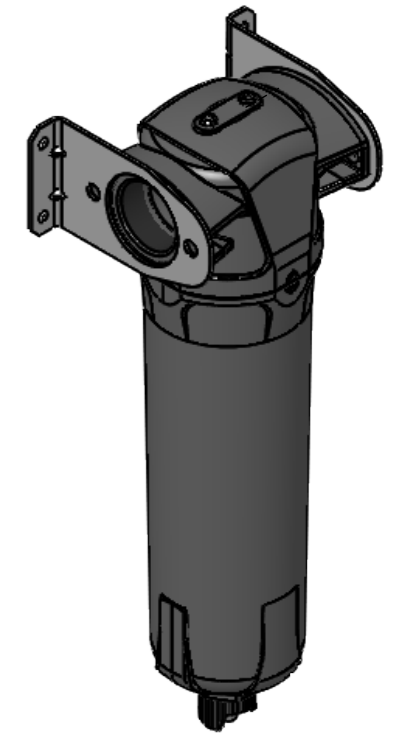
GENERAL PROPERTIES	
FILTER MODEL OPTIONS:	
SIZE 13 - GF0450	SIZE 14 - GF0700
PORT SIZE (A) VALID FOR G & NPT CONNECTIONS:	
2"	2"
FLOW RATE:	
212.5 l/s (450 SCFM)	330.3 l/s (700 SCFM)

FILTER GRADE	FLOW DIRECTION	PARTICLE REMOVAL	MAX OIL CARRYOVER AT 20°C	MAX PARTICLE SIZE CLASS*	MAX OIL CONTENT CLASS*	PRESSURE LOSS - CLEAN & DRY	PRESSURE LOSS - SATURATED	MAX AIR INLET TEMP. WITH AUTOMATIC DRAIN	MAX AIR INLET TEMP. WITH MANUAL DRAIN	END CAP COLOUR
P										
M1	N	-	0.3mg/m ³	3	3	55mbar (0.8psi)	125mbar (1.8psi)	80°C (176°F)	N/A	RED
M01	N	-	0.01mg/m ³	1	2	85mbar (1.2psi)	125mbar (1.8psi)	80°C (176°F)	N/A	BLU
AC	N	-	0.003mg/m ³	-	1	115mbar (1.7psi)	-	N/A	50°C (122°F)	BLK
RM1	REV	1µm	-	3	-	55mbar (0.8psi)	-	N/A	120°C (248°F)	RED



FILTER	SIZE 13	SIZE 14
DIM 'L'	508 (20")	708 (27.87")

* CLASS IN ACCORDANCE WITH ISO8573-1:2010
 ** FLOW DIRECTION VISUALLY INDICATED ON FILTER HOUSING



REV		CHANGE ORDER	DATE	BY	PROJECT REFERENCE		DRG. NUMBER	MATERIAL	DRG. TITLE	DRG. SIZE
					DESIGN REF		A3- 42-1424	N/A	SIZE 13 & 14 FILTER SPECIFICATION	A3
					CREATED BY	DATE				SCALE
					IA	31.7.19				1:1
					REVISED BY	DATE				CHECK
					JL	9.9.19				IA