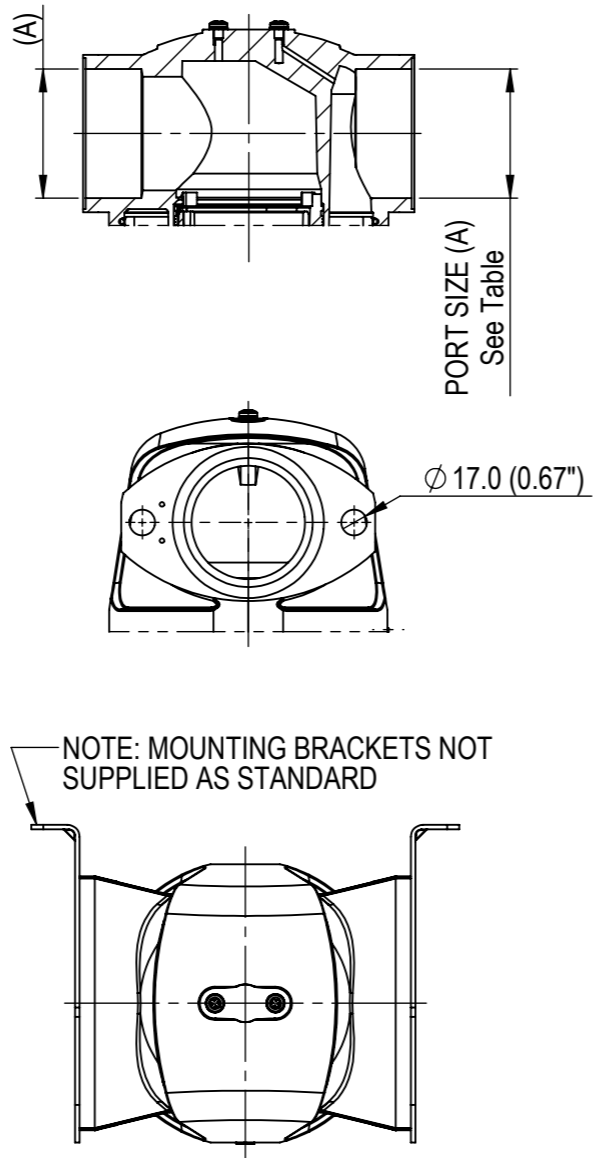


<u>DRAIN PORT TYPE:</u>	<u>MAX. ALLOWABLE WORKING PRESSURE:</u>
AUTOMATIC	16 barg (232 psig)
MANUAL	20.7 barg (300 psig)

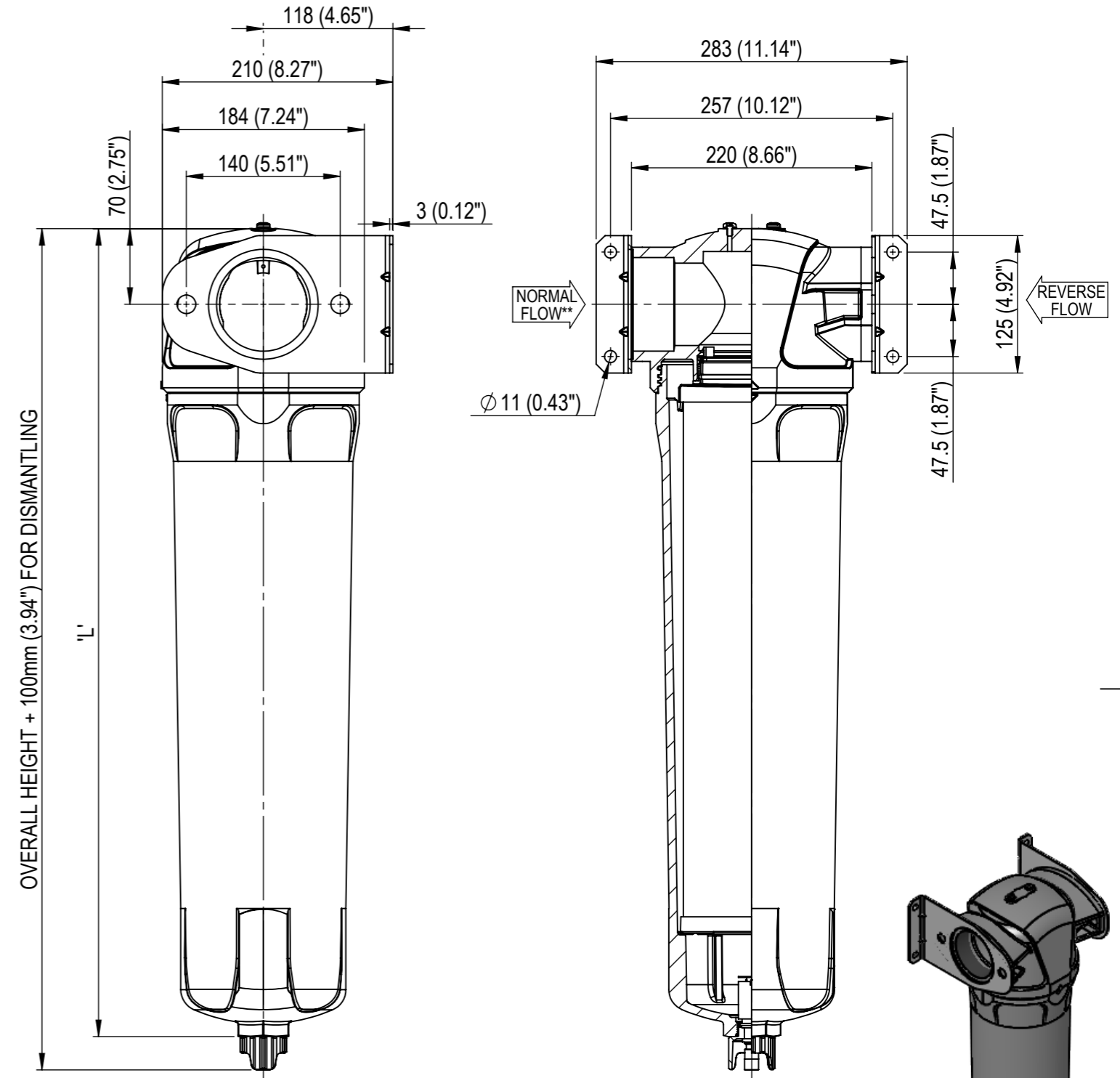
GENERAL PROPERTIES

<u>FILTER MODEL OPTIONS:</u>			
SIZE 15 - GF0850	SIZE 16 - GF0900	SIZE 17 - GF1250	SIZE 18 - GF1500
<u>PORT SIZE (A) VALID FOR G & NPT CONNECTIONS:</u>			
2½"	3"	3"	3"
<u>FLOW RATE:</u>			
401.1 l/s (850 SCFM)	424.7 l/s (900 SCFM)	590.3 l/s (1251 SCFM)	708.3 l/s (1501 SCFM)

FILTER GRADE	FLOW DIRECTION	PARTICLE REMOVAL	MAX OIL CARRYOVER AT 20°C	MAX PARTICLE SIZE CLASS*	MAX OIL CONTENT CLASS*	PRESSURE LOSS - CLEAN & DRY	PRESSURE LOSS - SATURATED	MAX AIR INLET TEMP. WITH AUTOMATIC DRAIN	MAX AIR INLET TEMP. WITH MANUAL DRAIN	END CAP COLOUR
M1	N	-	0.3mg/m³	3	3	55mbar (0.8psi)	125mbar (1.8psi)	80°C (176°F)	N/A	RED
M01	N	-	0.01mg/m³	1	2	85mbar (1.2psi)	125mbar (1.8psi)	80°C (176°F)	N/A	BLU
AC	N	-	0.003mg/m³	-	1	115mbar (1.7psi)	-	N/A	50°C (122°F)	BLK
RM1	REV	1µm	-	3	-	55mbar (0.8psi)	-	N/A	120°C (248°F)	RED



NOTE: MOUNTING BRACKETS NOT SUPPLIED AS STANDARD

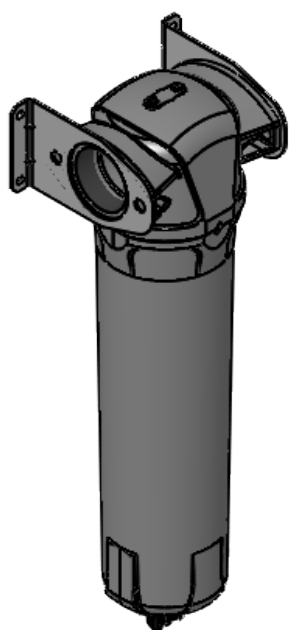


OVERALL HEIGHT + 100mm (3.94") FOR DISMANTLING

FILTER	SIZE 15	SIZE 16	SIZE 17	SIZE 18
DIM 'L'	736 (28.97")	736 (28.97")	857 (33.7")	1005 (39.56")

* CLASS IN ACCORDANCE WITH ISO8573-1:2010
** FLOW DIRECTION VISUALLY INDICATED ON FILTER HOUSING

				PROJECT REFERENCE		DRG. TITLE		DRG. NUMBER	MATERIAL	REV
				DESIGN REF		SIZE 15, 16, 17 & 18 FILTER SPECIFICATION		A3- 42-1425	N/A	A
REV	CHANGE ORDER	DATE	BY	CREATED BY	DATE	DRG. NUMBER	DRG. TITLE	MATERIAL	REV	
				IA	1.8.19	A3- 42-1425	SIZE 15, 16, 17 & 18 FILTER SPECIFICATION	N/A	A	
				JL	9.9.19					



ISOMETRIC VIEW