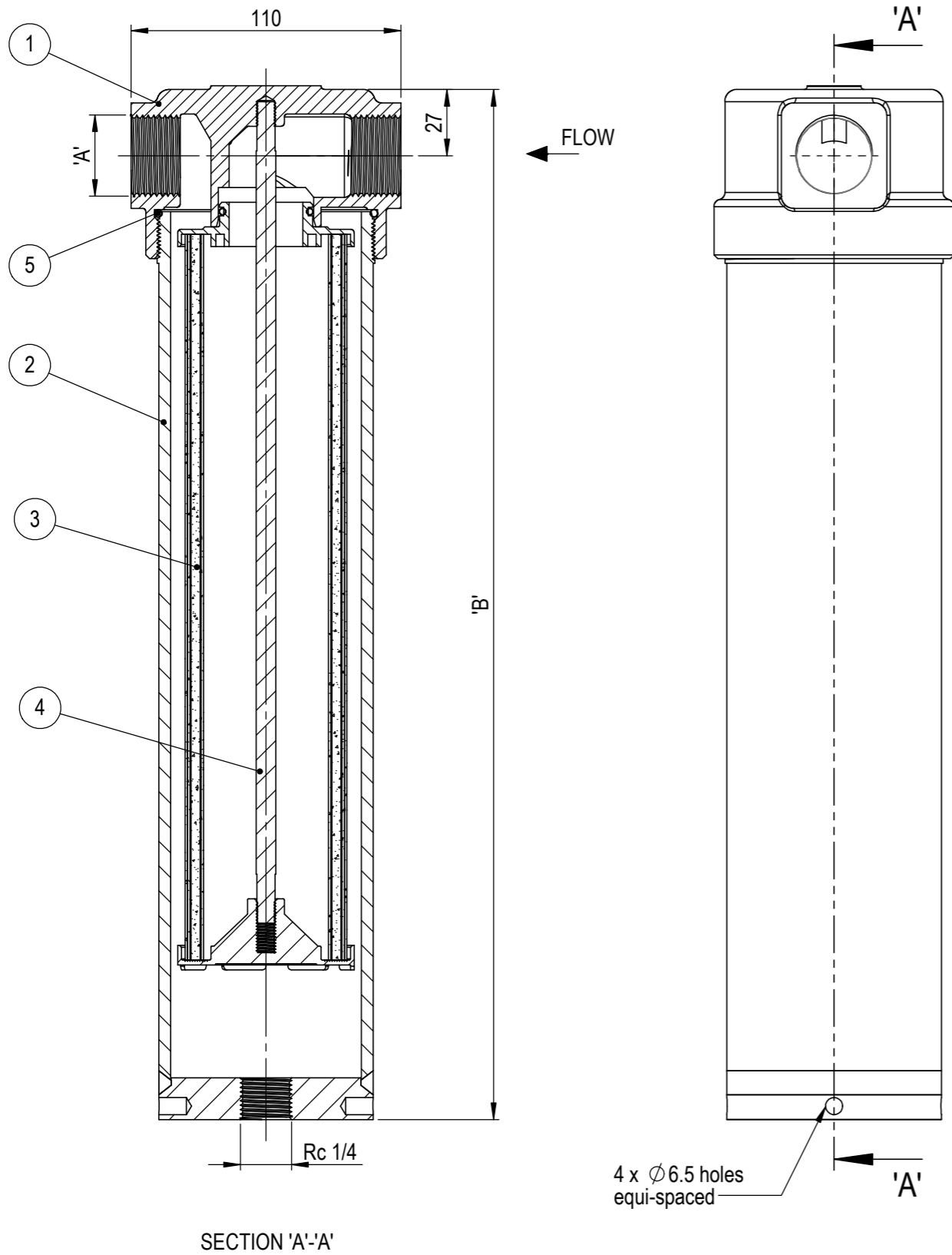


A
B
C
D
E
F
G
H



FLOW RATE QUOTED ARE AT 50 BAR
 MAXIMUM WORKING PRESSURE : 50 BAR
 MAXIMUM WORKING TEMPERATURE : 120deg C
 HYDRAULIC TEST PRESSURE : 75 BAR (REFER TO SPEC A4-42-028)
 DRAWING VALID FOR GRADES :
 WS, M25, M5, M1, M01, AC

NOTE : HOLES FOR ALTERNATIVE PORT SIZE AND DP GAUGE CONNECTION BY SPECIAL REQUEST

MODEL	PORT 'A' STANDARD	B	ELEMENT	FLOW RATE	
				Nm3/h	scfm
E50SS 0300 (MATERIAL) (GRADE)	Rp3/4	270	E50SS 0300 (grade)	500	300
E50SS 0600 (MATERIAL) (GRADE)	Rp1	420	E50SS 0600 (grade)	1000	600

ITEM NO.	DRAWING NUMBER	DESCRIPTION	QTY.		MATERIAL	REMARKS
			C75	C101		
1	A3-21-235	E50SS 0300 FILTER HEAD	1	-	01-SS / 02-CS	
1	A3-21-819	E50SS 0600 FILTER HEAD	-	1	01-SS / 02-CS	
2	A3-21-825	E50SS 0300 FILTER BOWL	1	-	01-SS / 02-CS	TYPE 001
2	A3-21-825	E50SS 0600FILTER BOWL	-	1	01-SS / 02-CS	TYPE 002
3	A4-10-071	E50SS 0300 (grade) FILTER ELEMENT	1	-		
3	A4-10-071	E50SS 0600 (grade) FILTER ELEMENT	-	1		
4	A4-01-024	TIE ROD	1	1	ST.ST	
5	70 206 385 02	BODY 'O' RING	1	1	HIGH NITRILE	DOWTY 206-385