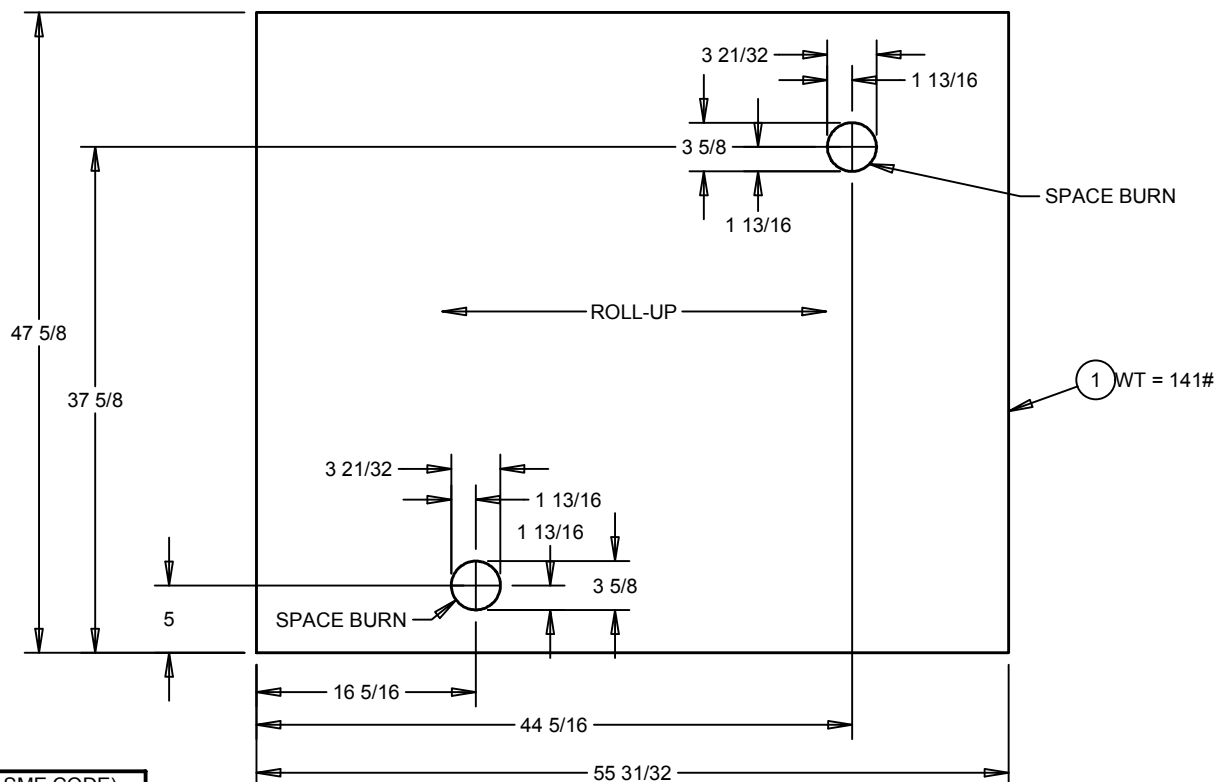
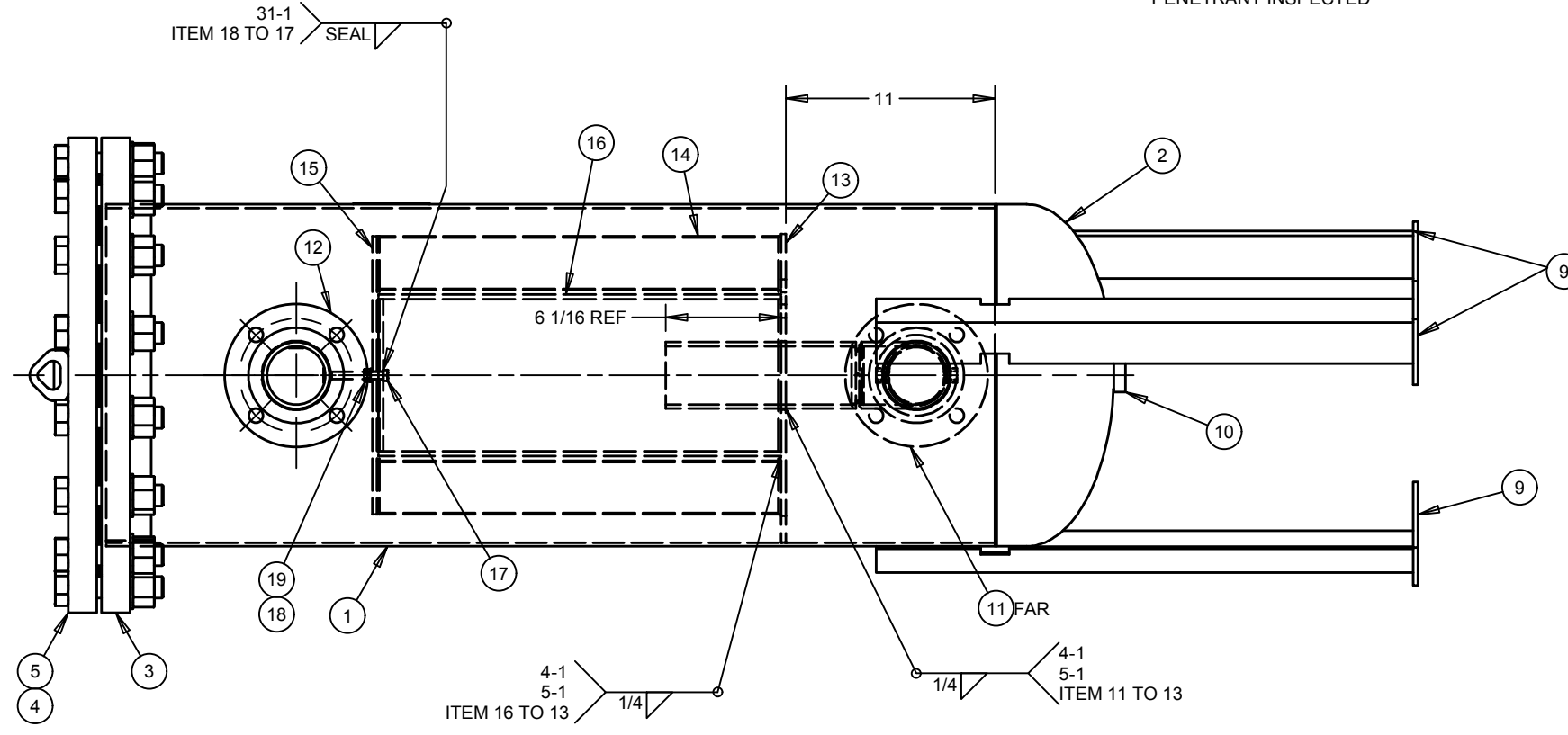
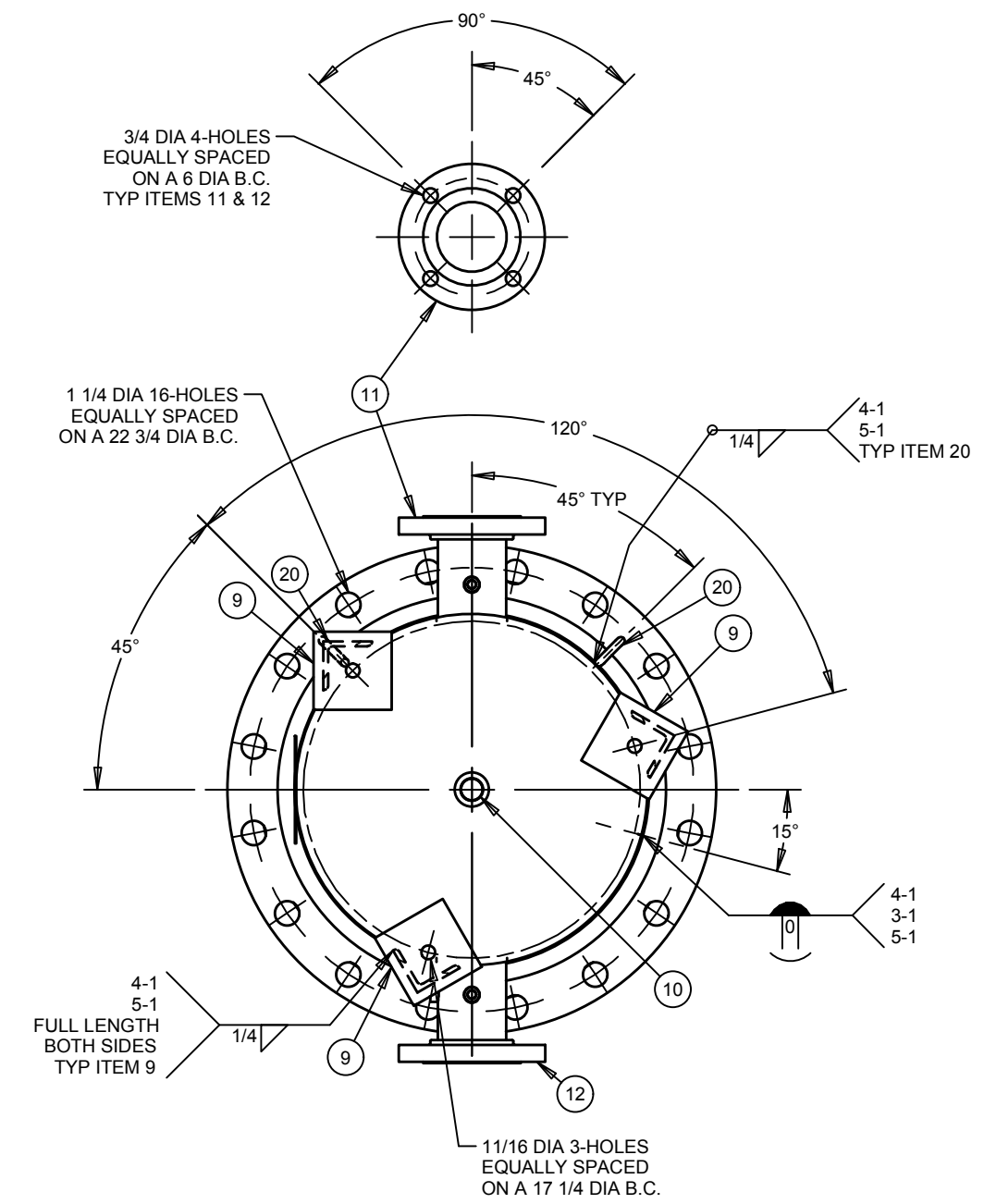
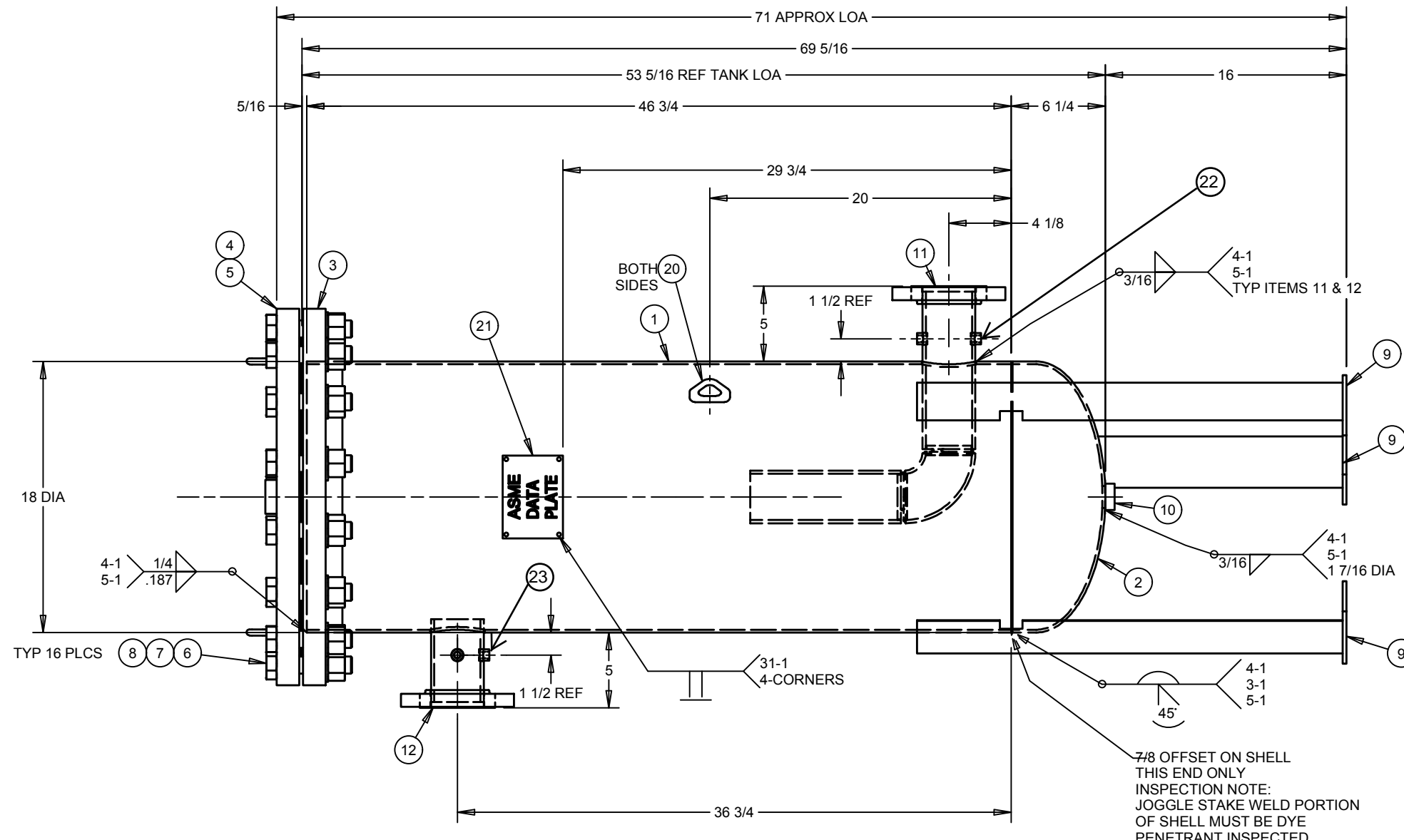
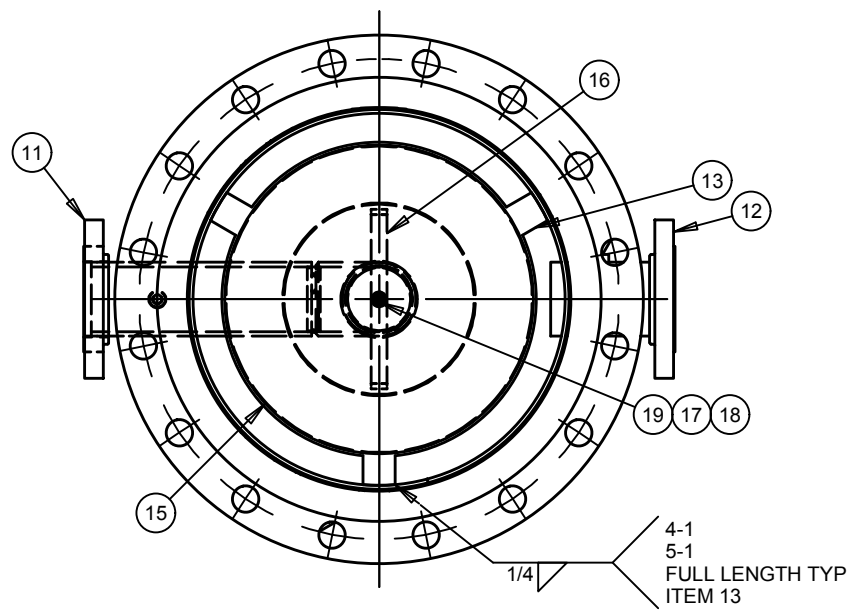


REMOVED COVER FOR CLARITY



- SHELL .187 NOM SA414 GR G P.V.Q. DES. THK. .094 E= 70% HEADS .187 MIN SA414 GR G P.V.Q. DES. THK. .094 S= 85%
- WORKING PRESSURE 150 PSI
- TEST PRESSURE HYDRO 195 PSI
- TEMPERATURE MIN. -20°F MAX 400°F
- ALL WELDED FITTINGS MUST BE HELD PERPENDICULAR TO CENTERLINE WITHIN 3/8" IN 12"
- IMPACT TEST EXEMPT PER PAR.UG-20(F)
- SPECIFICATIONS:  
CALCULATED WEIGHT: 654 LB  
CALCULATED CAPACITY: 60 GALLONS
- CRN- NONE
- N.D.T.- PT - SEE INSPECTION NOTE
- FINISH- SEE 139-656 FINISH SPEC

(BUILT IN ACCORDANCE WITH LATEST EDITION OF SECTION VIII DIV 1 ASME CODE)  
THIS DRAWING & SPECIFICATIONS ARE PROPERTY OF nano-purification solutions AND MAY NOT BE COPIED, REPRODUCED OR USED IN WHOLE OR PART AS A BASIS FOR DESIGN MANUFACTURE OR SALE WITHOUT PRIOR PERMISSION FROM nano-purification solutions.

ITEM	QTY	PART NUMBER	DESCRIPTION
24	1		SAFETY RELIEF VALVE PORT
23	1		AUTOMATIC DRAIN VENT PORT
22	1		AUTOMATIC DRAIN VENT PORT
21	1	66-718	DATA PLATE ASME SST
20	2	67-4827	LIFTING LUG PHOENIX 2-898-MINI
19	1	46-1930	NUT 3/8-16 UNC HEX ZINC PLTD
18	1	46-1954	WASHER FLAT 3/8 ZINC PLTD
17	1	47-6688	BOLT 3/8-16 UNC HEX X 2.75 T304(SS)
16	1	69-4631	BRACKET ASSY
15	1	69-4629	TOP PLATE .250 X 14.63 OD
14	1	69-4628	FILTER ELEMENT (E 1500)
13	1	69-4630	SUPPORT PLATE 0.250 X 17.63 OD
12	1	48-4115	FLG 3.000 150# RFSO & PIPE S40 0.216W ASSY
11	1	48-4116	FLG 3.000 150# RFSO, ELBOW & PIPE S40 0.216W ASSY
10	1	46-1410	FLG PILOT 1 NPT SA181-70
9	3	15-4725	LEG ASSY
8	16	46-5943	NUT 1 1/8-7 UNC HEX ZINC PLTD
7	16	46-6692	WASHER FLAT 1 1/8 ZINC PLTD
6	16	47-0052	BOLT 1 1/8-7 UNC HEX X 5 ZINC PLTD
5	1	52-1698	COVER ASSY
4	1	67-1741	GASKET RING 18 150# NEOPRENE
3	1	45-841	FLG 18 150# RFSO SA105
2	1	139-656-2	HEAD - ELL 18 DIA (910-308)
1	1	139-656-1	SHELL 0.187 X 47.63 X 55.96

PLASMA  PLATE  
REVIEW DATE 7/5/17  
REV B INIT KAT

UNLESS OTHERWISE SPECIFIED INCH TOLERANCES  
X.....±.1  
XX.....±.02  
XXX.....±.005  
FRACTIONS.....±1/16  
ANGLE.....±1°  
FINISH.....250  
THIRD ANGLE PROJ

TITLE  
50-18-60-150 ASME VESSEL  
MODEL: MEL 1250  
CUST DWG NO NONE  
TYPE ASME

**nanos**  
PURIFICATION SOLUTIONS  
DRAWN JGL  
CHECKED JEJ  
DRAWING NO 139-656  
REV B  
SIZE: C SHEET 1 OF 1

REV	DESCRIPTION	BY	DATE
B	LOA WAS 83. SHORTENED TO MATCH 139-978. DIM 16 WAS 18.	KAT	7/5/17
A	ISSUED		