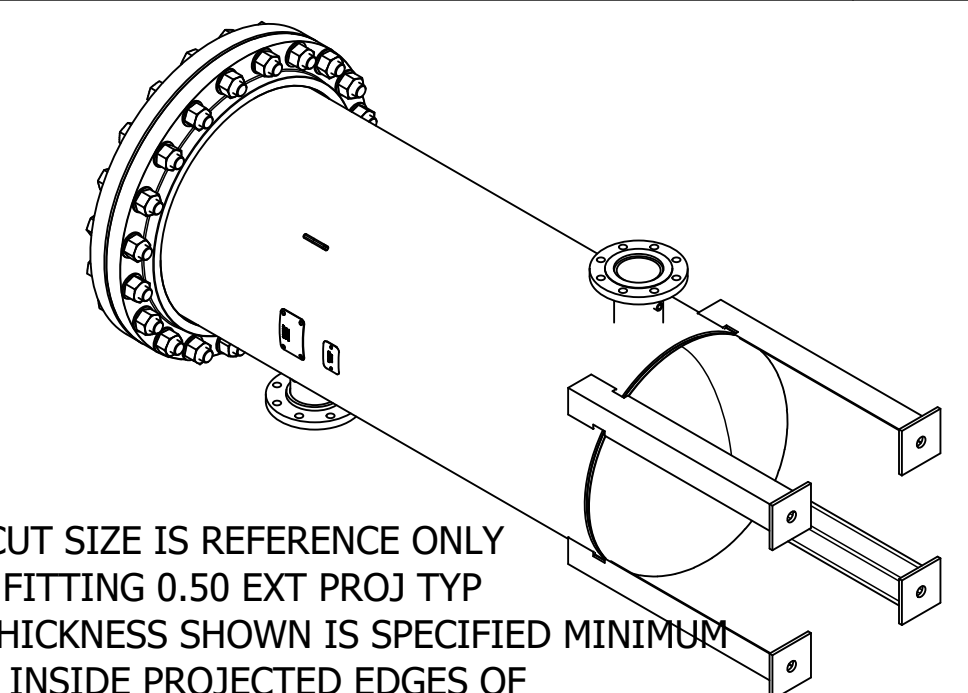


ITEM	P/N	DESCRIPTION	QTY
1	H24250J	HEAD 24.00 OD 0.235M/0.250N SA516-70 2:1 SE JOG	1
2	139-979SF-SL	SHELL BURNT 0.250 CS SA455 57.75 X 24.00 OD	1
3	F224150	FLG 24.00 CS SA105 150# B16.5 RFSO	1
4	67-1214	GASKET 24" RING (NEOPRENE)	1
5	48-5030	RFSO ASSY 4.000 150# S40 (.237 WALL) 7.000 SA105 B16.5/SA106-B	1
6	48-5029	RFSO ELBOW ASY 4.000 150# S40 (.237W) 14.94 X 17.93 SA105 B16.5/SA106-B	1
7	F601000H	CPLG 1.000 NPT SA105 ANSI B16.11 3000# HALF	1
8	52-1807	COVER 24.00 SA105 B16.5	1
9	69-5601	SUPPORT PLATE 0.375 SA36 23.56 OD W/4.625" CENTER HOLE	1
10	69-5602	FILTER ELEMENT - E3000	1
11	69-5604	TOP PLATE 4 GA A1011CS-B 19.50 OD W/ 0.406 CENTER HOLE	1
12	69-5603	BRACKET 4 GA A1011CS-B 0.750 X 14.00 X 28.00	1
13	48-4664	STUD 3/8-16 UNC X 4 LG SA193 B8 T304	1
14	46-1954	WASHER FLAT 3/8 ZINC PLTD	1
15	46-1930	NUT 3/8-16 UNC HEX ZINC PLTD	2
16	47-5014	BOLT 1 1/4-7 UNC HEX X 6 ZINC PLTD	20
17	46-6571	WASHER FLAT 1 1/4 ZINC PLTD	20
18	46-8508	NUT 1 1/4-7 UNC HEX SA194-2H PLTD	20
19	15-4936	ANGLE LEG ASY 0.250 SA36 3.00 X 3.00 X 27.50 LG	4
19.1	15-4936-1	ANGLE CUT 0.250 SA36 3.000 X 3.000 X 27.13 LG	1
19.2	15-4936-2	FOOT PAD 0.375 SA36 5.000 X 5.000 W/ 1-1/8" HOLE THRU	1
20	LL2898	LUG 0.406 X 2.687 X 2.000 A105 LIFT (4850# MAX) (4:1)	3
21	139-979SF-NPS	NAME PLATE FOR 139-979SF SA240-304	1
22	139-979SF-CTS	CUSTOMER TAG FOR 139-979SF SA240-304	1



\*\*SHELL CUT SIZE IS REFERENCE ONLY  
 \*\*CPLG & FITTING 0.50 EXT PROJ TYP  
 \*\*HEAD THICKNESS SHOWN IS SPECIFIED MINIMUM  
 \*\*RADIUS INSIDE PROJECTED EDGES OF NOZZLES 1/8" MIN  
 \*\*SEE PAGE 2 FOR FINISH  
 \*\*FLANGE BOLT HOLES STRADDLE TANK C/L EXCEPT AS NOTED  
 \*\*ALL DIMS IN INCHES UNLESS NOTED OTHERWISE  
 \*\*IMPACT TEST EXEMPT PER UG 20(f)  
 24" X 65" 150# VERTICAL OIL SEPARATOR  
 NOTES

TRAVELER REQUIRED  Yes      FIXTURE REQUIRED  No      IF YES THEN FIXTURE # \_\_\_\_\_

<b>RELEASED TO PRODUCTION</b>		TOLERANCES ARE PER EN1370 STEEL FAB STANDARD TOLERANCES UNLESS OTHERWISE SPECIFIED		DESIGN & CALCULATIONS COMPLY WITH ASME CODE SECTION VIII, DIV.1. LATEST EDITION	
SALES ORDER#	RELEASE DATE:	QTY:			
NB/SERIAL#					
TOP COVER: 1.875"	MAT'L SA105	EFF 100 %			
HEAD THK: .235" MIN C.A.: ---	MAT'L SA516-70	EFF 85 %			
SHELL THK: .250" NOM C.A.: ---	MAT'L SA455	EFF 70 %			
NAT'L BD: YES	STAMP " U "				
VOLUME: 130 APPROX GAL	MAWP 150 PSI	AT 400 °F	MODEL: MEL 3000		
SHIPPING WEIGHT: 1166 LBS	MDMT -20 °F	AT 150 PSI	BURLINGTON, ONT      LEBANON, VA		
CRN: NONE	TEST: HYDRO	AT 195 PSI	DRAWN BY: IDV/MH P/N		
	TEST: PNEU	AT 195 PSI	DATE: 9/12/2018		
			139-979SF		
			PAGE 1 OF 2      REV. 0		