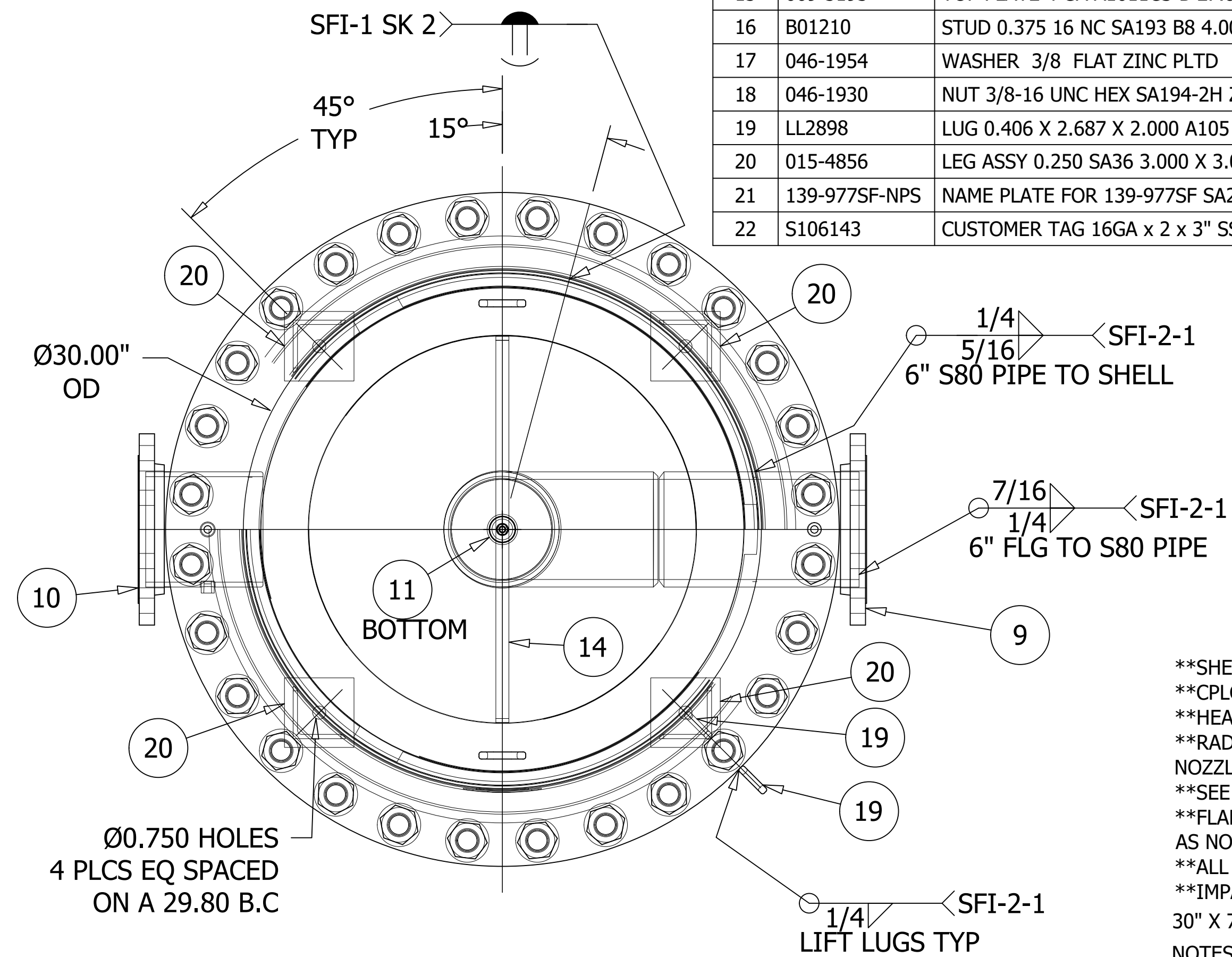


**FRONT VIEW
TRUE ELEVATION**




**TOP VIEW
TRUE ORIENTATION**

ITEM	P/N	DESCRIPTION	QTY
1	H30250J	HEAD, .235M/.250N X 300D SA516-70 SE 2:1 JOG	1
2	139-977SF-SL	SHELL BURNT 0.250 CS SA455 62.31 X 30.00 OD	1
3	F230150	FLG 30.00 SA105 150# RFSO APP II FLANGE W/ANSI B16.47 SERIES A BOLT PATTERN	1
4	F230GAS2	GASKET 0.125 150# NEOPRENE ANSI B16.47 SERIES A 32.75 ID X 33.75 OD	1
5	052-1761	COVER ASSY 30.00 150# RFB SA105/SA36 W/LIFTLUG	1
6	048-4656	BOLT 1 1/4-7 UNC HEX X 8.5 SA193 B7 ZINC X 8.500 LG	28
7	046-6571	WASHER FLAT 1 1/4 FLAT ZINC PLTD	28
8	B00331-ZP	NUT 1.250 7 UNC SA194-2H HEX ZINC PLATED	28
9	048-4654	FLG 6.000 RFSO 150# ELBOW, & PIPE ASSY S80 (0.432 WALL)	1
10	048-4655	FLG 6.000 RFSO 150# & PIPE ASSY S40 0.280W X 7.313 LG	1
11	F601000H	CPLG 1.000 NPT SA105 ANSI B16.11 3000# HALF	1
12	069-5191	SUPPORT PLATE 0.375 SA36 29.50 OD	1
13	069-5192	FILTER ELEMENT - E5000	1
14	069-5194	BRACKET 4GA A1011CS-B 0.750 X 11.00 X 28.00 X 22.25	1
15	069-5193	TOP PLATE 4 GA A1011CS-B 27.88 OD	1
16	B01210	STUD 0.375 16 NC SA193 B8 4.00 LG FULL	1
17	046-1954	WASHER 3/8 FLAT ZINC PLTD	1
18	046-1930	NUT 3/8-16 UNC HEX SA194-2H ZINC PLTD	2
19	LL2898	LUG 0.406 X 2.687 X 2.000 A105 LIFT (4850# MAX) (4:1)	2
20	015-4856	LEG ASSY 0.250 SA36 3.000 X 3.000 X 28.69 LG	4
21	139-977SF-NPS	NAME PLATE FOR 139-977SF SA240-304	1
22	S106143	CUSTOMER TAG 16GA x 2 x 3" SS	1

**SHELL CUT SIZE IS REFERENCE ONLY
 **CPLG & FITTING 0.50 EXT PROJ TYP
 **HEAD THICKNESS SHOWN IS SPECIFIED MINIMUM
 **RADIUS INSIDE PROJECTED EDGES OF NOZZLES 1/8" MIN
 **SEE PAGE 2 FOR FINISH
 **FLANGE BOLT HOLES STRADDLE TANK C/L EXCEPT AS NOTED
 **ALL DIMS IN INCHES UNLESS NOTED OTHERWISE
 **IMPACT TEST EXEMPT PER UG 20(f)
 30" X 70.69" 150# VERTICAL OIL SEPARATOR
 NOTES

TRAVELER REQUIRED Yes FIXTURE REQUIRED No IF YES THEN FIXTURE # _____

RELEASED TO PRODUCTION		TOLERANCES ARE PER EN1370 STEEL FAB STANDARD TOLERANCES UNLESS OTHERWISE SPECIFIED		DESIGN & CALCULATIONS COMPLY WITH ASME CODE SECTION VIII, DIV.1. LATEST EDITION	
SALES ORDER#		QTY:			
RELEASE DATE:		NAT'L BD: YES STAMP " U "			
NB/SERIAL#		TOP HEAD: 1.734" SA105 100 % HEAD THK: .235" MIN C.A.: --- MAT'L SA516-70 EFF 85 % SHELL THK: .250" NOM C.A.: --- MAT'L SA455 EFF 70 %		ENG. APPL / DATE JE - 7/12/2018 QCM. APPL / DATE BW-7/13/2018 A.I. VERIFICATION / DATE BQ-7/16/2018	
VOLUME: 250 APPROX GAL SHIPPING WEIGHT: 2363 LBS CRN: NONE		MAWP 150 PSI AT 400 °F MDMT -20 °F AT 150 PSI TEST: HYDRO AT 195 PSI TEST: PNEU AT 195 PSI		MODEL: MEL 5000 BURLINGTON, ONT LEBANON, VA DRAWN BY: KAT/IDV P/N DATE: 6/26/2018 139-977SF	
				PAGE 1 OF 3 REV. 0	