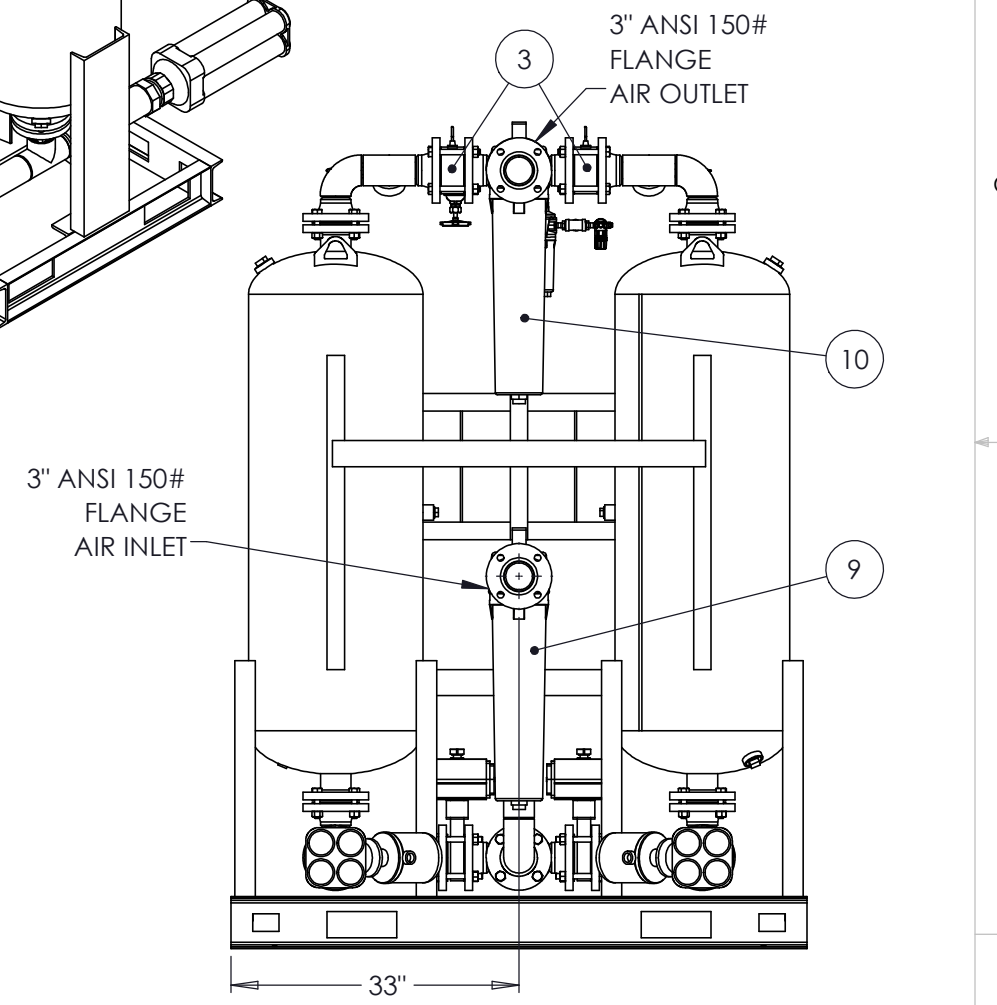


ITEM NO	QTY	DESCRIPTION
1	2	DESICCANT VESSEL
2	2	INLET BUTTERFLY VALVE
3	2	OUTLET CHECK VALVE
4	2	PURGE EXHAUST VALVE
5	2	EXHAUST MUFFLER
6	3	PRESSURE GAUGE
7	2	PRESSURE RELIEF VALVE
8	1	ELECTRICAL ENCLOSURE
9	1	PRE-FILTER
10	1	AFTER FILTER



UNLESS OTHERWISE SPECIFIED:
 DIMENSIONS ARE IN INCHES
 TOLERANCES:
 FRACTIONAL ± 0.125
 ANGULAR: $\pm 0.5^\circ$
 TWO PLACE DECIMAL $\pm .03$
 THREE PLACE DECIMAL $\pm .003$

THIRD ANGLE PROJECTION

MATERIAL

FINISH

DO NOT SCALE DRAWING

	NAME	DATE
DRAWN	BH	07/15/24
CHECKED		
ENG APPR.		
MFG APPR.		
Q.A.		
COMMENTS:		

nano NANO-PURIFICATION SOLUTIONS
 323 CRISP CIRCLE
 MARYVILLE, TENNESSEE 37801-USA

TITLE: DRYER, DESICCANT, HL1000 HEATLESS, PKG B, 1 PRE & AFTER FILTER; 1000 SCFM, 200 PSI, 100F, T-20

SIZE B	DWG. NO. HL1000B1PNXXX	REV 0
---------------	------------------------	--------------

SCALE: 1:50 WEIGHT: SHEET 1 OF 1

PROPRIETARY AND CONFIDENTIAL
 THE INFORMATION CONTAINED IN THIS DRAWING IS SOLE PROPERTY OF NANO PURIFICATION SOLUTIONS. ANY REPRODUCTION IN PART OR WHOLE WITHOUT THE WRITTEN PERMISSION OF NANO PURIFICATION SOLUTIONS IS PROHIBITED.