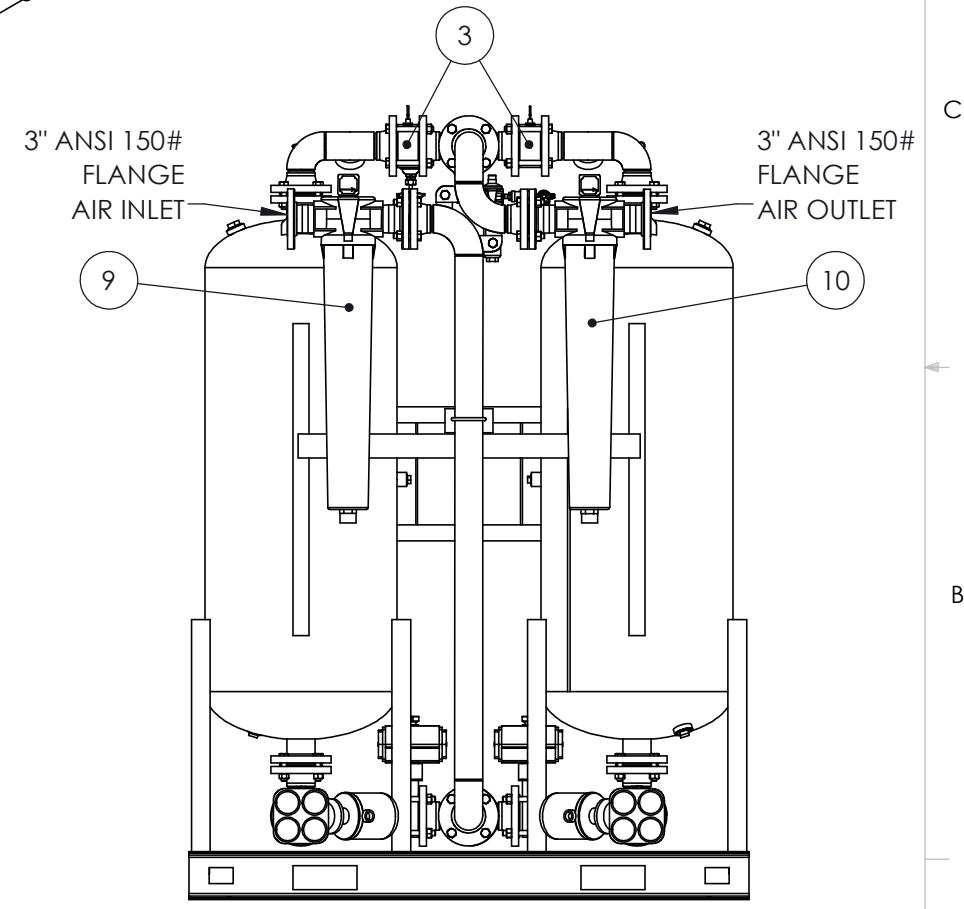
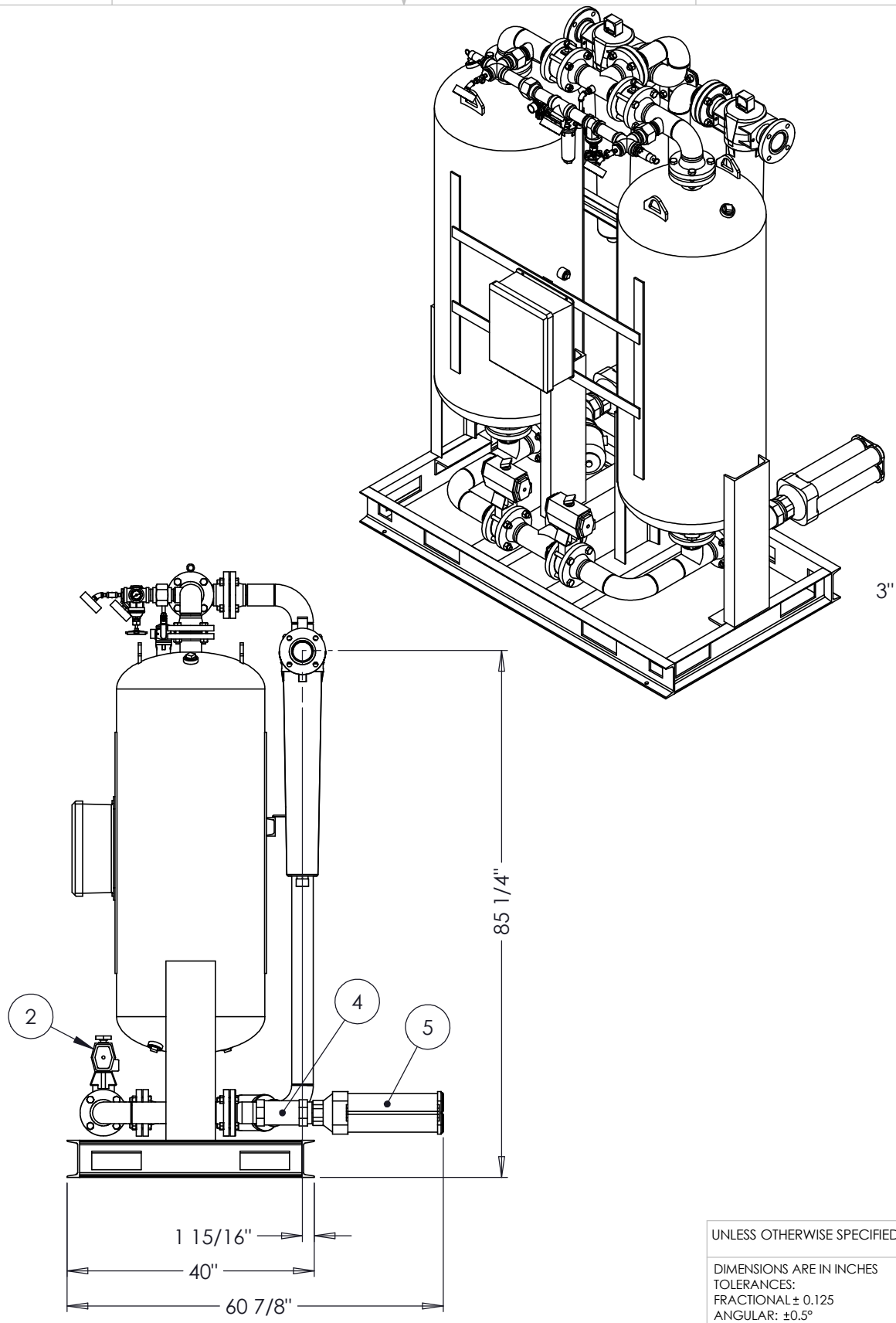
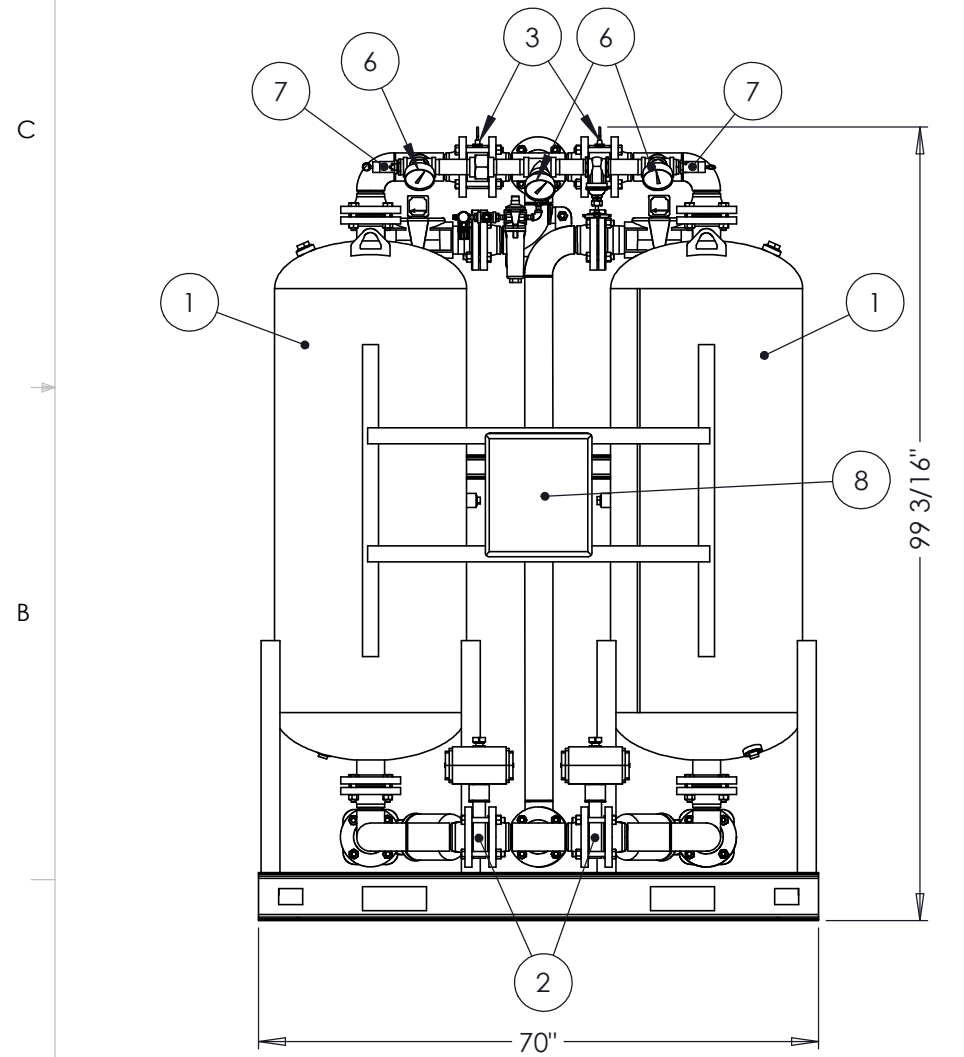
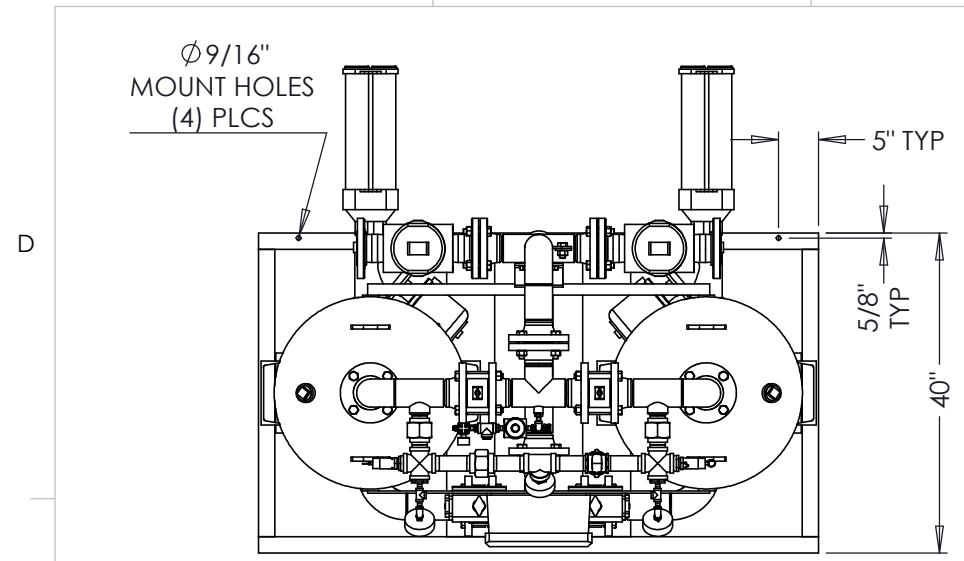


Ø9/16"
MOUNT HOLES
(4) PLCS



ITEM NO	QTY	DESCRIPTION
1	2	DESICCANT VESSEL
2	2	INLET BUTTERFLY VALVE
3	2	OUTLET CHECK VALVE
4	2	PURGE EXHAUST VALVE
5	2	EXHAUST MUFFLER
6	3	PRESSURE GAUGE
7	2	PRESSURE RELIEF VALVE
8	1	ELECTRICAL ENCLOSURE
9	1	PRE-FILTER
10	1	AFTER FILTER

UNLESS OTHERWISE SPECIFIED:

DIMENSIONS ARE IN INCHES
TOLERANCES:
FRACTIONAL ± 0.125
ANGULAR: ± 0.5°
TWO PLACE DECIMAL ± .03
THREE PLACE DECIMAL ± .003



THIRD ANGLE PROJECTION

MATERIAL

FINISH

DO NOT SCALE DRAWING

	NAME	DATE
DRAWN	BH	08/04/24
CHECKED		
ENG APPR.		
MFG APPR.		
Q.A.		
COMMENTS:		

nano NANO-PURIFICATION SOLUTIONS
323 CRISP CIRCLE
MARYVILLE, TENNESSEE 37801-USA

TITLE:
DRYER, DESICCANT, HL1500
HEATLESS, PKG B, 1 PRE & AFTER
FILTER; 1500 SCFM, 200 PSIG,
100F, T-24

SIZE	DWG. NO.	REV
B	HL1500B1PNXXX	0

SCALE: 1:50 WEIGHT: SHEET 1 OF 1

PROPRIETARY AND CONFIDENTIAL
THE INFORMATION CONTAINED IN THIS DRAWING IS SOLE PROPERTY OF NANO PURIFICATION SOLUTIONS. ANY REPRODUCTION IN PART OR WHOLE WITHOUT THE WRITTEN PERMISSION OF NANO PURIFICATION SOLUTIONS IS PROHIBITED.