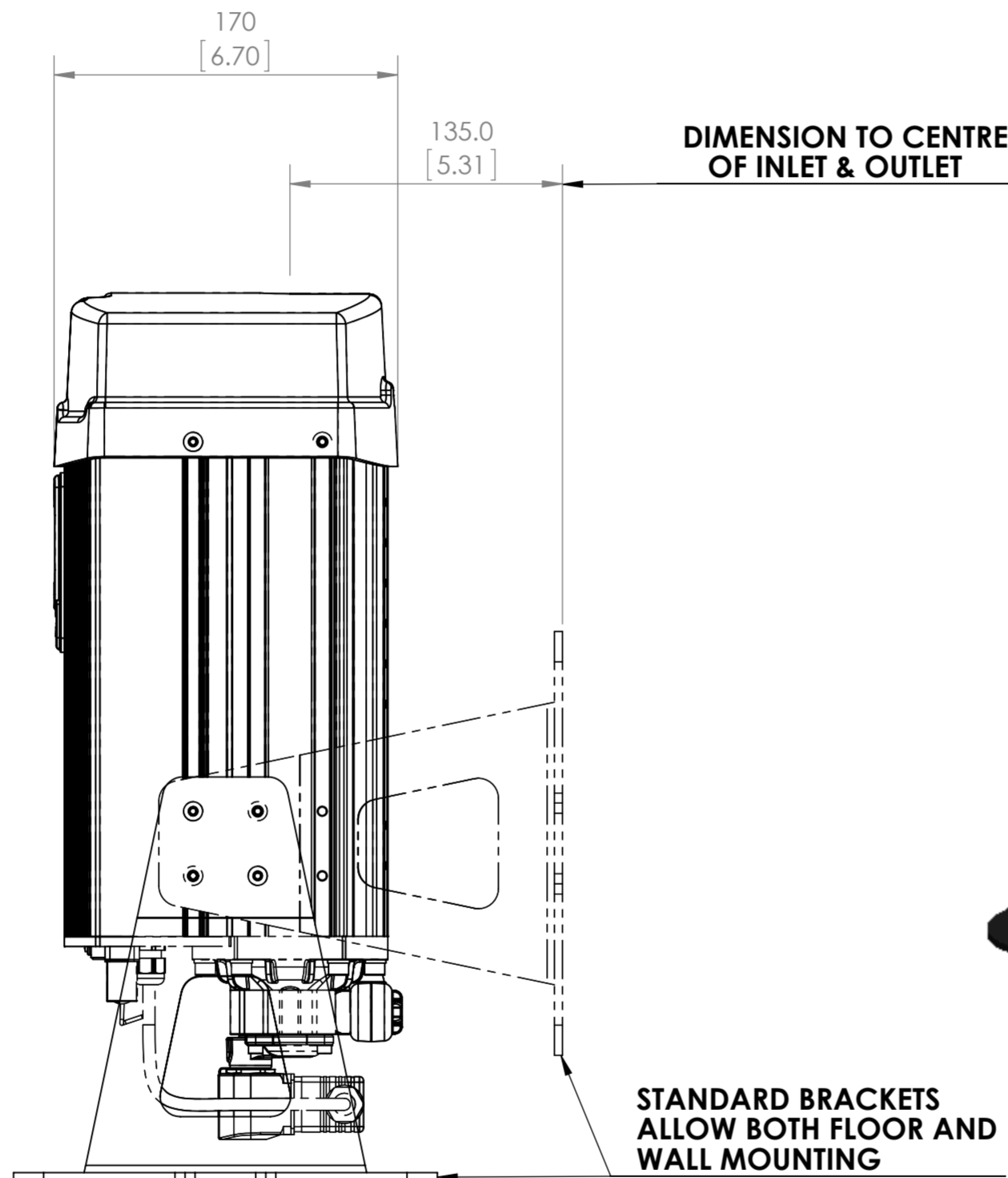
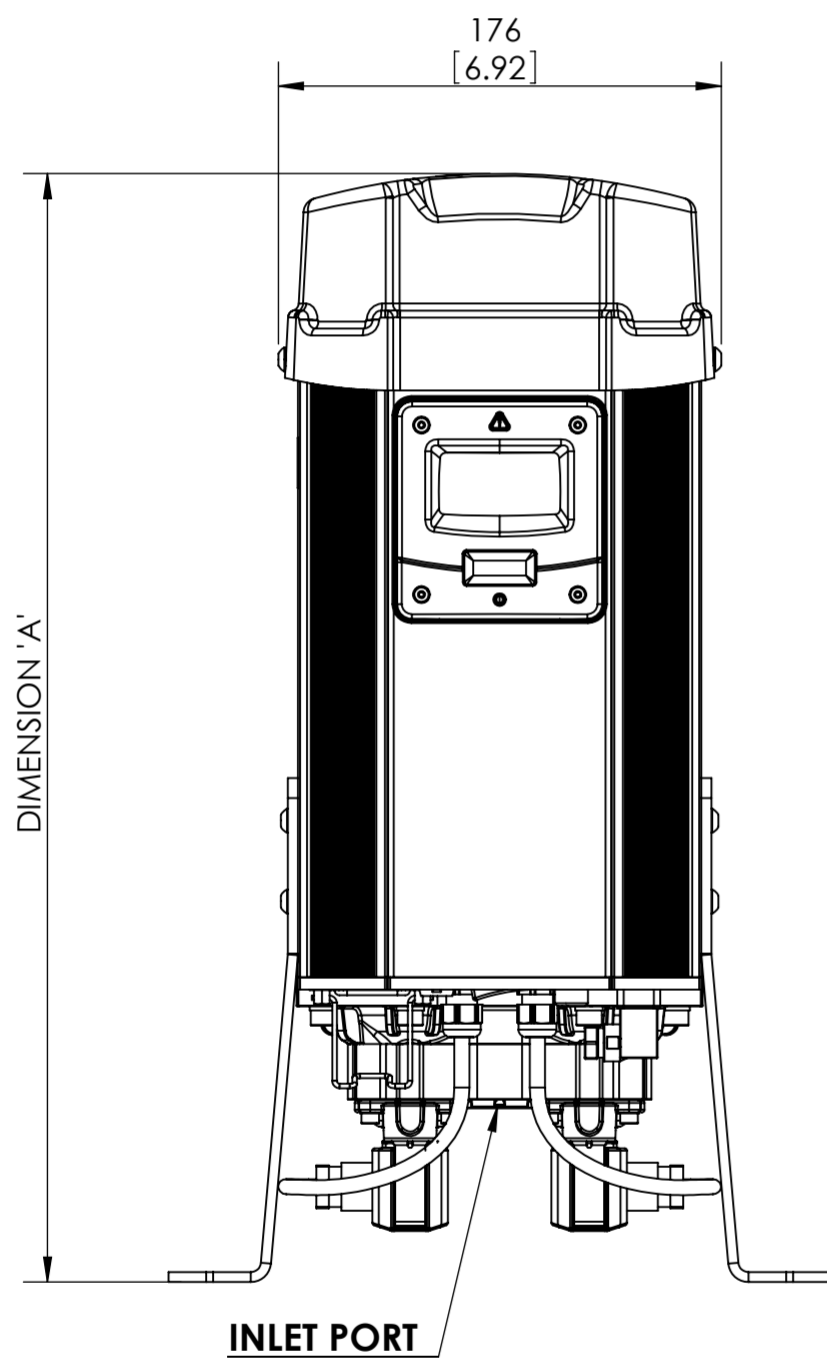
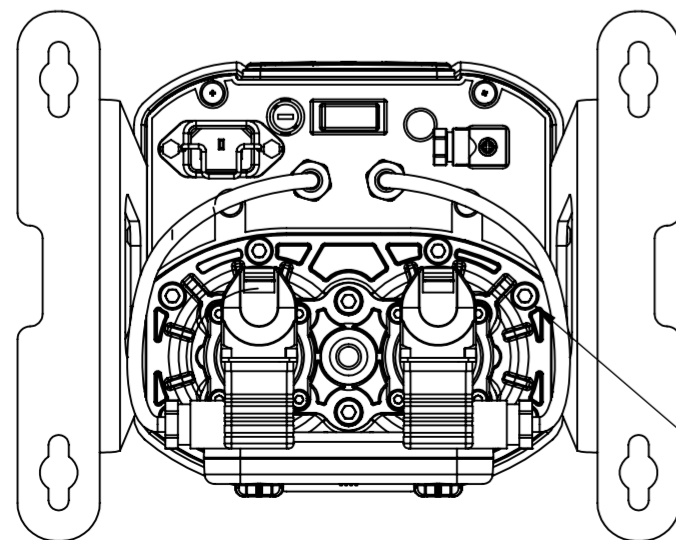


MODEL No.	OUTLET FLOW RATE (l/m)	INLET / OUTLET CONNECTION SIZE	DIMENSION 'A' in (mm)	DIMENSION 'B' in (mm)	APPROX WEIGHT lbs(kg)
NDC-015	1.5	3/8" BSPP	17.6 (447)	6.1 (156)	19.8 (9)
NDC-140	14	3/8" BSPP	17.6 (447)	6.1 (156)	19.8 (9)
NDC-300	30	3/8" BSPP	25.5 (647)	6.1 (156)	29.8 (13.5)
NDC-600	60	3/8" BSPP	47.1(1197)	10.9 (276)	56.2 (25.5)



PICTORIAL VIEW



NOTE: FIXING BOLT SPECIFICATION CONFORMS TO SA-193 B7

SPECIFICATION	
ISO 8573 - 1: 2001 QUALITY CLASSES	Class 2: Water: -70°C (-94°F) PDP Class 2: Dirt: 1µm   CO2: < 1 ppm
MINIMUM WORKING PRESSURE	58 psig (4 barg)
MAXIMUM WORKING PRESSURE	101 psig (7 barg)
POWER SUPPLY	100 - 240V AC / 50 - 60 Hz
MINIMUM INLET TEMPERATURE	35°F (1.5°C)
RATED INLET CONDITION	70°F (21°C), 375 ppm CO2

	DRAWN	CHECKED	APPROVED
NAME:	IC	ME	ME
DATE:	27-06-13	27-06-13	27-06-13

nano-porous solutions Ltd  
www.n-psl.com

© NANO-POROUS SOLUTIONS LTD 2013.  
THE ORIGINAL OF THIS DRAWING IS COPYRIGHT AND CONTAINS CONFIDENTIAL INFORMATION.  
IT IS THE PROPERTY OF NANO-POROUS SOLUTIONS LTD WITHOUT WHOSE PERMISSION IT MAY NOT BE  
COPIED, SHOWN OR HANDED TO A THIRD PARTY OR OTHERWISE USED AND IT IS TO BE RETURNED  
PROMPTLY UPON REQUEST TO NANO-POROUS SOLUTIONS LTD.

SCALE: 1:1 DO NOT SCALE DRAWING	3RD ANGLE	SHEET 1 OF 1
MATERIAL: SEE COMPONENT DRAWINGS		REVISION: C-00

TITLE:  
SERIES 1 - NORTH AMERICAN / CANADA  
CO2 ADSORPTION DRYER  
(NDC-015, NDC-140, NDC-300, NDC-600)

DRAWING NO. PD-0025	A2
------------------------	----