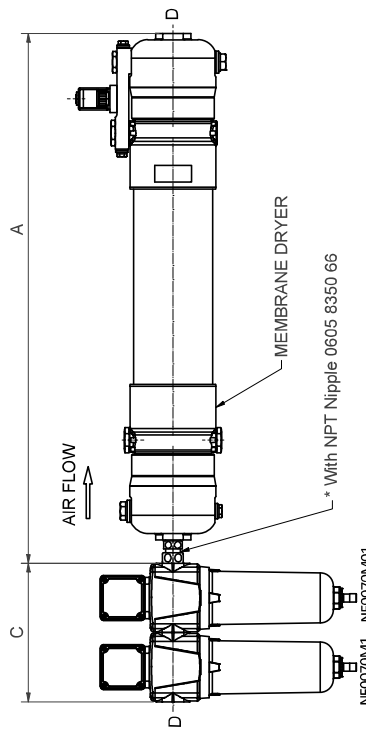
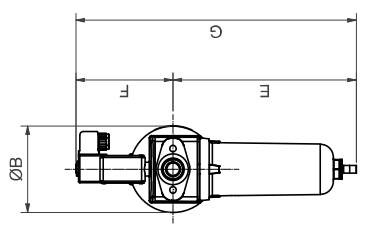
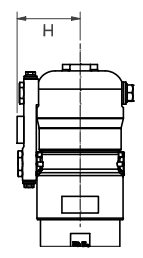
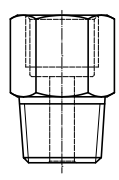


AS SHOWN: FILTERS: NF0070M1 + NF0070M01
MEMBRANE DRYER: DHM 0075 55F



* With NPT Nipple 0605 8350 66



DETAIL: DRYER WITHOUT SOLENOID VALVE

Membrane Dryer Type	Filter	A	A *	ØB	C	D	E	F	G	H
DHM 0005 55F	NF 0050	26.1	27.0	2.2	5.5	G1/2	9.3	4.2	13.5	2.2
DHM 0010 55F	NF 0050	26.1	27.0	2.2	5.5	G1/2	9.3	4.2	13.5	2.2
DHM 0020 55F	NF 0050	35.7	36.6	3.1	5.5	G1/2	9.3	4.6	13.9	2.7
DHM 0030 55F	NF 0050	35.7	36.6	3.1	5.5	G1/2	9.3	4.6	13.9	2.7
DHM 0040 55F	NF 0050	34.8	35.7	3.9	5.5	G1/2	9.3	5.0	14.3	3.1
DHM 0050 55F	NF 0050	37.1	38.0	3.9	5.5	G1/2	9.3	5.0	14.3	3.1
DHM 0075 55F	NF 0070	38.0	38.9	4.9	7.9	G1/2	10.7	5.6	16.3	3.6
DHM 0003 100F	NF 0050	33.2	34.1	2.2	5.5	G1/2	9.3	4.2	13.5	2.2
DHM 0007 100F	NF 0050	43.7	44.6	2.2	5.5	G1/2	9.3	4.2	13.5	2.2
DHM 0013 100F	NF 0050	49.3	50.2	3.1	5.5	G1/2	9.3	4.6	13.9	2.7
DHM 0019 100F	NF 0050	49.3	50.2	3.1	5.5	G1/2	9.3	4.6	13.9	2.7
DHM 0028 100F	NF 0050	49.1	50.0	3.9	5.5	G1/2	9.3	5.0	14.3	3.1
DHM 0036 100F	NF 0050	49.1	50.0	3.9	5.5	G1/2	9.3	5.0	14.3	3.1
DHM 0055 100F	NF 0070	53.0	53.9	4.9	7.9	G1/2	10.7	5.6	16.3	3.6

Tolerances: if not indicated, according to
STANDARD CLASS 1350K - m

DIMENS. DRWG
Name: DHM DRYER HORIZONTAL
Material: See Drawing
Treatment: Not Applicable

Scale: 1:5
Drawn by: IREAMKO
Version Dwg: Blank v4
Dwg/Fin v4: Blank v4
Dwg/Fin v4: Blank v4
Dwg/Fin v4: Blank v4

Family: INV
Blank nr.:
Dwg/Fin v4: Blank v4
Dwg/Fin v4: Blank v4

General references:
Component: DHM DRYER HORIZONTAL
sec. b: 1102 K
Internal: SETUP
Drawing envoy: AFI
Sheet: 1 / 1

STATUS: 1
Parent 3D model: 9827730504M1
Ed.: Version 3D

WorkInProgress
Post checked: Approved: 06/07/2021
Dissemination: 9827730504-02

Ed.	Rev.	Modif form	Date	User/Agent
1				Intr./App.