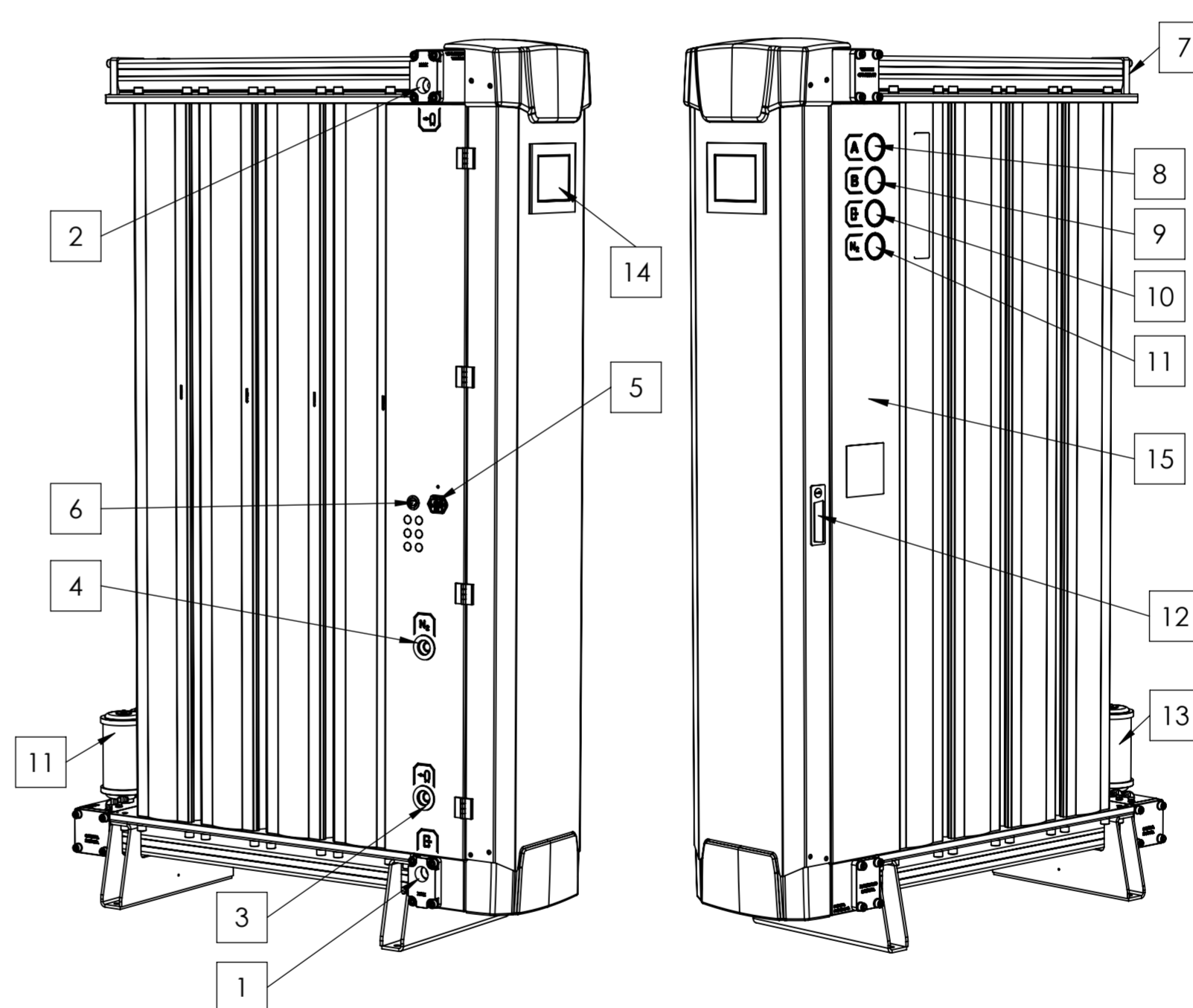
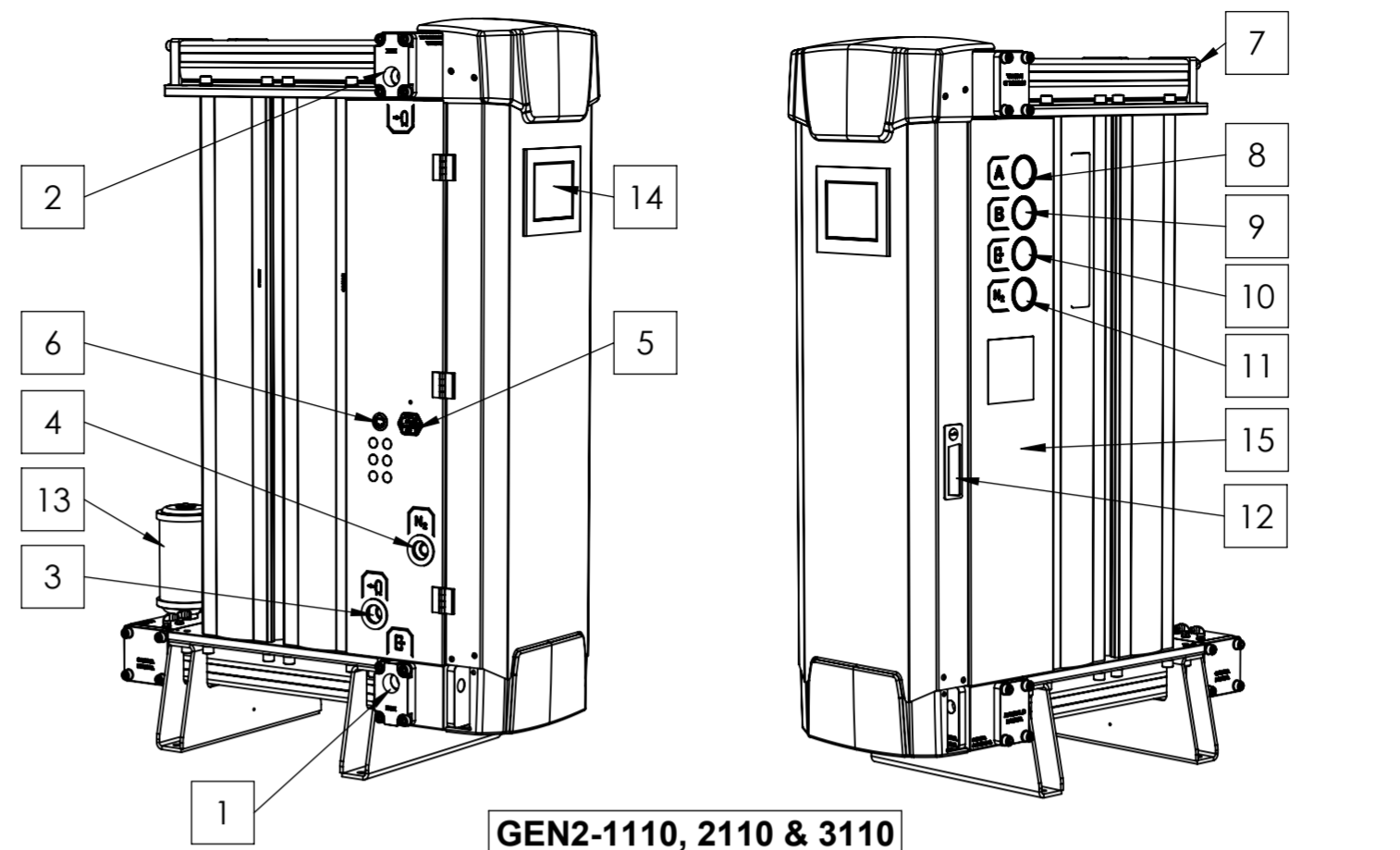
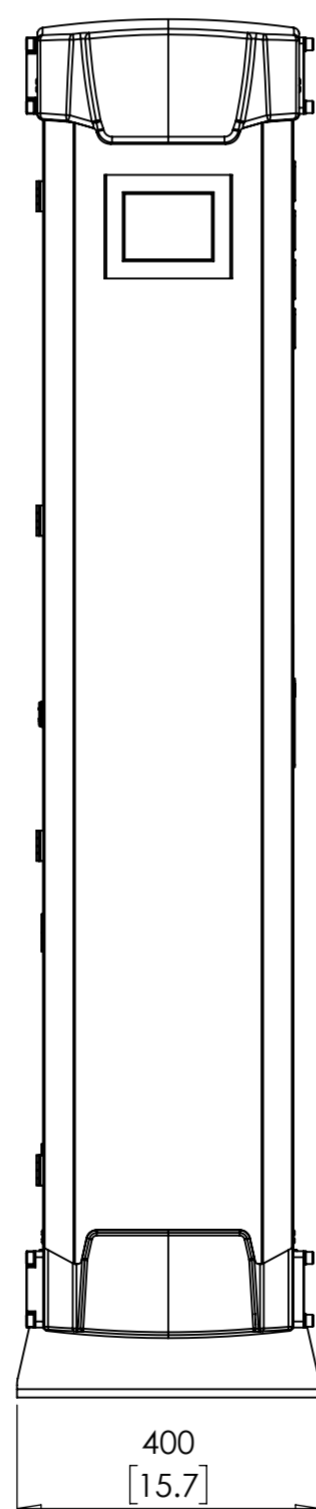
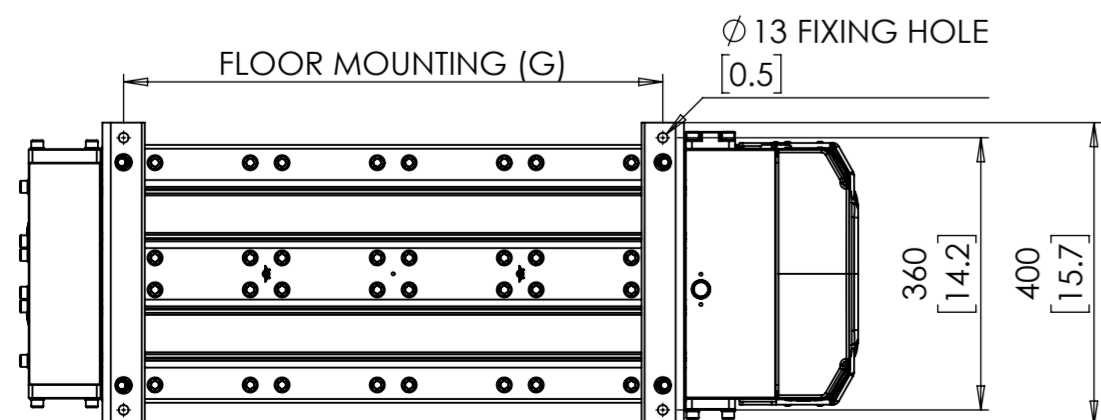
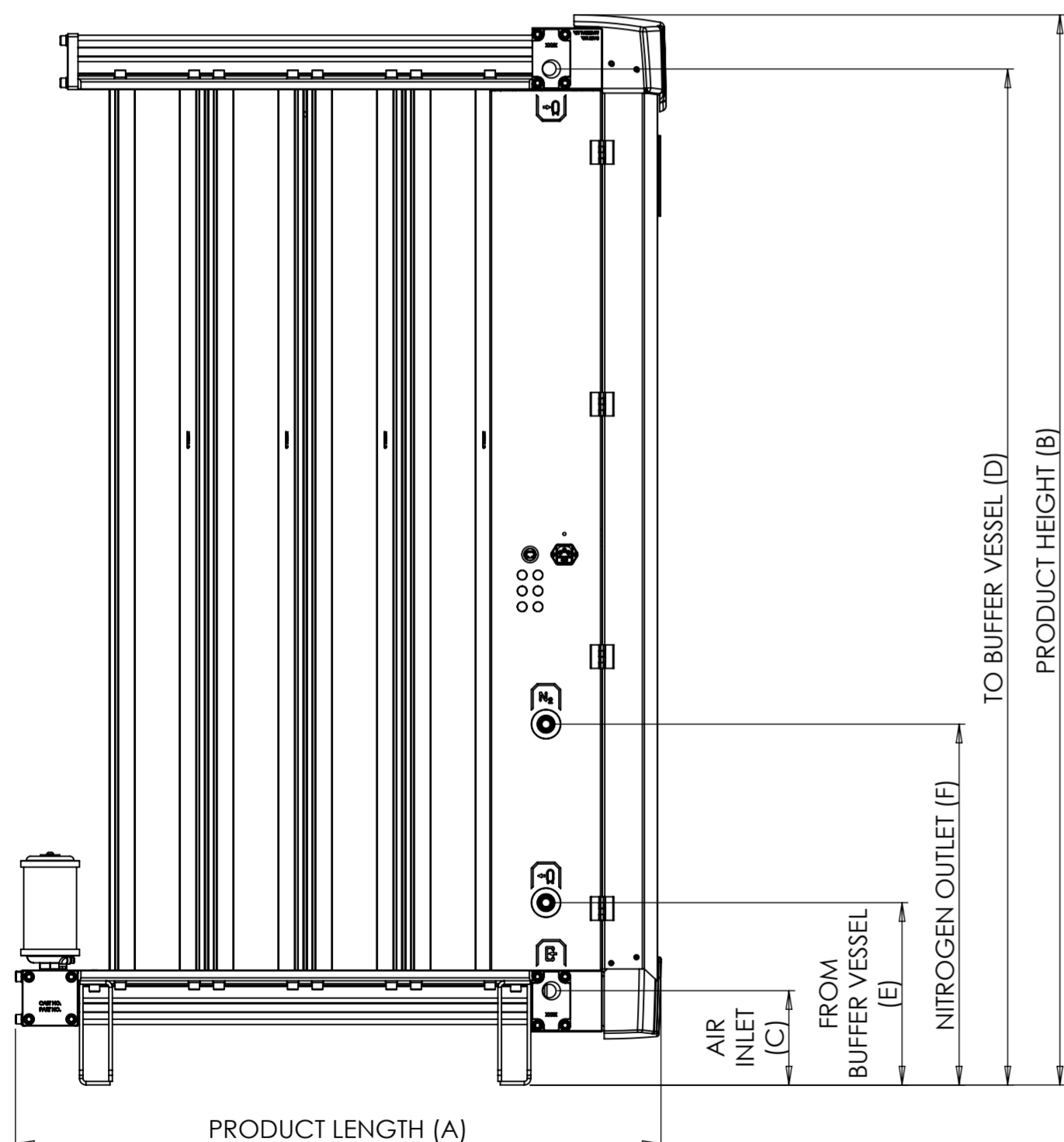
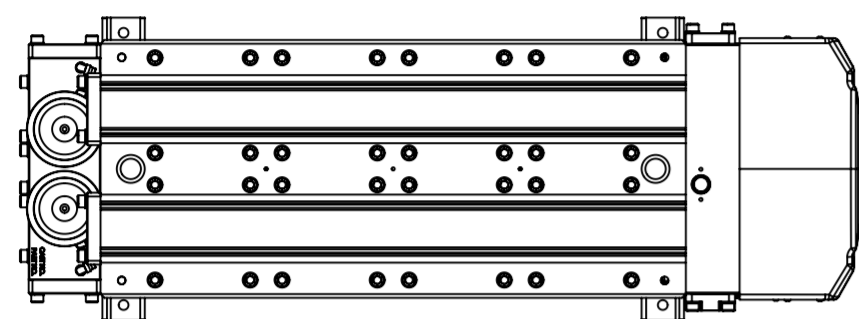


Model	DIMENSION													APPROX WEIGHT		
	A		B		C		D		E		F		G		kg	lb
	Product Length		Product Height		Air Inlet		To Buffer		From Buffer		N2 Outlet		Floor Mounting			
	mm	inches	mm	inches	mm	inches	mm	inches	mm	inches	mm	inches	mm	inches		
GEN2 i4.0-1110	605	23.82	1223	48.15	161	6.34	1131	44.53	266	10.47	377	14.84	211	8.31	97	214
GEN2 i4.0-2110	773	30.43	1223	48.15	161	6.34	1131	44.53	266	10.47	377	14.84	379	14.92	179	394
GEN2 i4.0-3110	941	37.05	1223	48.15	161	6.34	1131	44.53	266	10.47	377	14.84	547	21.53	261	575
GEN2 i4.0-2130	773	30.43	1823	71.77	161	6.34	1731	68.15	311	12.24	615	24.21	379	14.92	249	548
GEN2 i4.0-3130	941	37.05	1823	71.77	161	6.34	1731	68.15	311	12.24	615	24.21	547	21.53	331	729
GEN2 i4.0-4130	1109	43.66	1823	71.77	161	6.34	1731	68.15	311	12.24	615	24.21	715	28.15	439	967
GEN2 i4.0-6130	1445	56.89	1823	71.77	161	6.34	1731	68.15	311	12.24	615	24.21	1051	41.38	623	1373
GEN2 i4.0-8130	1781	70.12	1823	71.77	161	6.34	1731	68.15	311	12.24	615	24.21	1387	54.60	789	1739
GEN2 i4.0-10130	2117	83.34	1823	71.77	161	6.34	1731	68.15	311	12.24	615	24.21	1723	67.84	883	1946
GEN2 i4.0-12130	2453	96.57	1823	71.77	161	6.34	1731	68.15	311	12.24	615	24.21	2059	81.06	1110	2447



ITEM NUMBER	DESCRIPTION	ITEM NUMBER	DESCRIPTION
1	COMPRESSED AIR INLET	8	COLUMN A PRESSURE GAUGE
2	TO BUFFER VESSEL	9	COLUMN B PRESSURE GAUGE
3	FROM BUFFER VESSEL	10	AIR INLET PRESSURE GAUGE
4	NITROGEN OUTLET	11	NITROGEN OUTLET PRESSURE GAUGE
5	MAINS POWER ELECTRICAL SOCKET	12	ENCLOSURE LOCK
6	RJ45 MODBUS CONNECTION (IF OPTION FITTED)	13	EXHAUST SILENCERS
7	PURGE CONTROL VALVES	14	HMI CONTROL PANEL
		15	PROCESS ENCLOSURE

REVISIONS			
REV.	DESCRIPTION	DATE	APPROVED
C-00	INITIAL REVISION	24/08/2020	ME
C-01	PRODUCT APPROVALS INFORMATION ADDED	04/11/2020	ME

NOTES:

SPECIFICATION

INLET AIR QUALITY -
ISO 8573:2010 CLASS 2--2
(2.2.1 WITH HIGH OIL VAPOUR CONTENT)

MINIMUM WORKING PRESSURE -
6 bar g (87 psi g)

MAXIMUM WORKING PRESSURE -
12 bar g (174 psi g)

SUPPLY VOLTAGE -
100-240V AC / 50-60 Hz

FUSE RATING -
3A

POWER CONSUMPTION -
72W

MINIMUM INLET TEMPERATURE -
5°C (41°F)

MAXIMUM INLET TEMPERATURE -
50°C (122°F)

MAXIMUM RECOMMENDED INLET TEMPERATURE -
30°C (86°F)

CONNECTIONS

ALL CONNECTIONS ARE ROUTED TO THE LEFT HAND SIDE OF THE GENERATOR AS SHOWN

COMPRESSED AIR INLET:
1" BSPP (1" NPT)

N2 OUTLET TO BUFFER
1/2" BSPP VESSEL (1/2" NPT)

N2 INLET FROM BUFFER
1/2" BSPP VESSEL (1/2" NPT)

N2 OUTLET
1/2" BSPP (1/2" NPT)

PRODUCT APPROVALS

CANADIAN REGISTRATION NUMBER (CRN): OH22247.5C

PRESSURE EQUIPMENT DIRECTIVE:
DESIGN VERIFICATION:
LLOYDS REGISTER - PRJ11092926 O-35143/5C

PRESSURE VESSEL REFERENCE DRAWING: PD1006

GENERAL TOLERANCES UNLESS OTHERWISE STATED:
X ± 0.5mm | X.X ± 0.25mm | X.XX ± 0.1mm
ANGLES ± 0.5°

	DRAWN	CHECKED	APPROVED
NAME	IC	ME	ME
DATE	21-08-2020	21-08-2020	21-08-2020

nano-purification solutions limited
www.n-psi.co.uk

© NANO-PURIFICATION SOLUTIONS LTD 2020.
THE ORIGINAL OF THIS DRAWING IS COPYRIGHTED AND CONTAINS CONFIDENTIAL INFORMATION. IT IS THE PROPERTY OF NANO-PURIFICATION SOLUTIONS LTD WITHOUT WHICSE PERMISSION IT MAY NOT BE REPRODUCED OR TRANSMITTED IN ANY FORM OR BY ANY MEANS, ELECTRONIC OR MECHANICAL, INCLUDING PHOTOCOPYING, RECORDING, OR BY ANY INFORMATION STORAGE AND RETRIEVAL SYSTEM. PROMPTLY UPON REQUEST TO NANO-PURIFICATION SOLUTIONS LTD.

TITLE:
GEN2 i4.0 - NITROGEN GENERATOR

DWG NO. PD-0085	REVISION: C-01
SCALE - 1:10	SHEET 1 of 1
DO NOT SCALE DRAWING	SHEET SIZE A2