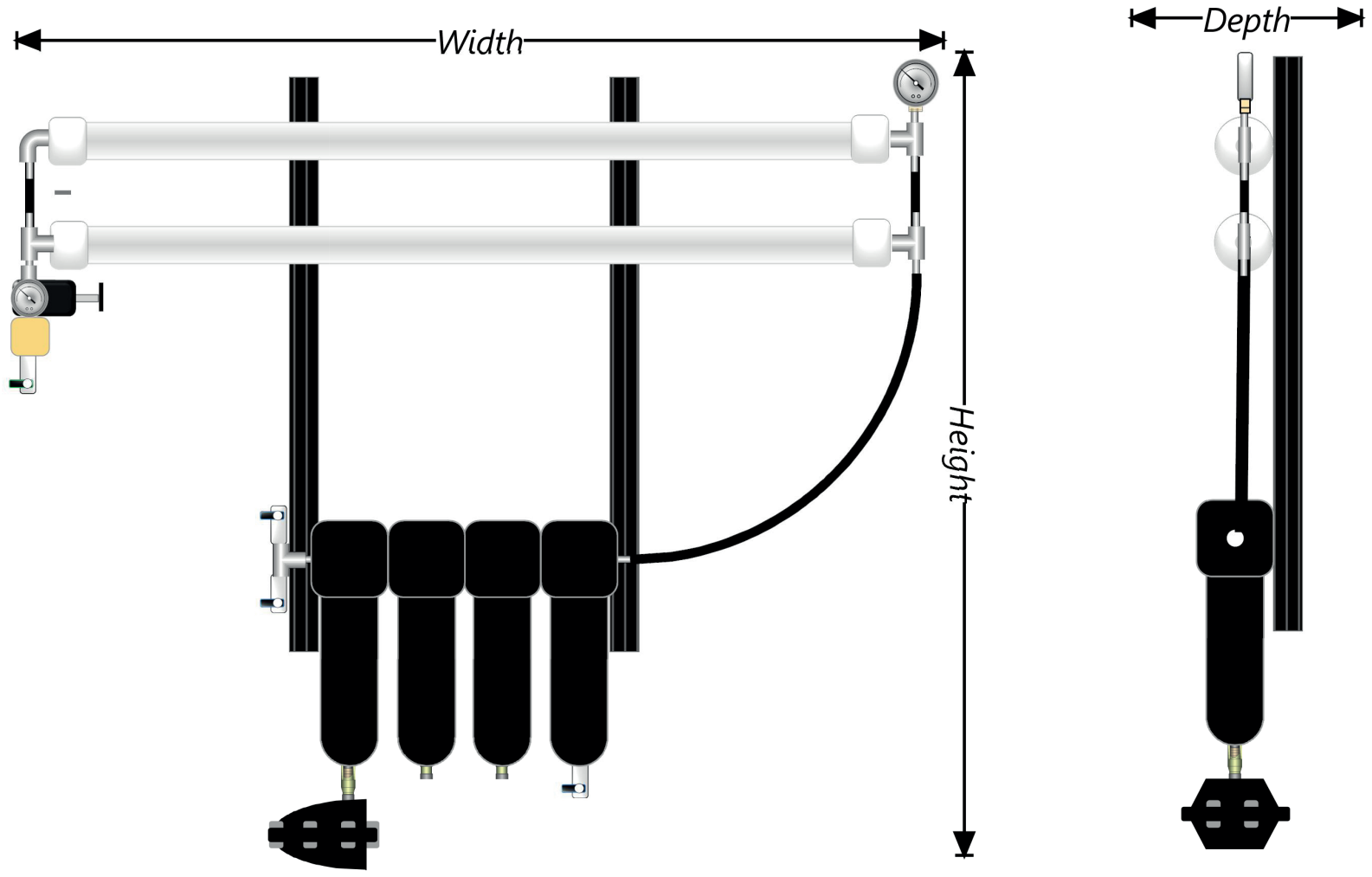


nano

Model No.: NMG 1126

www.nano-purification.com

©2024 Air and Gas Solutions LLC



Dimensions				
Width	Height	Depth	Weight	Connections
48" (1220 mm)	40" (1016 mm)	12" (305 mm)	51 LBS (23.2 kg)	1/2" FNPT