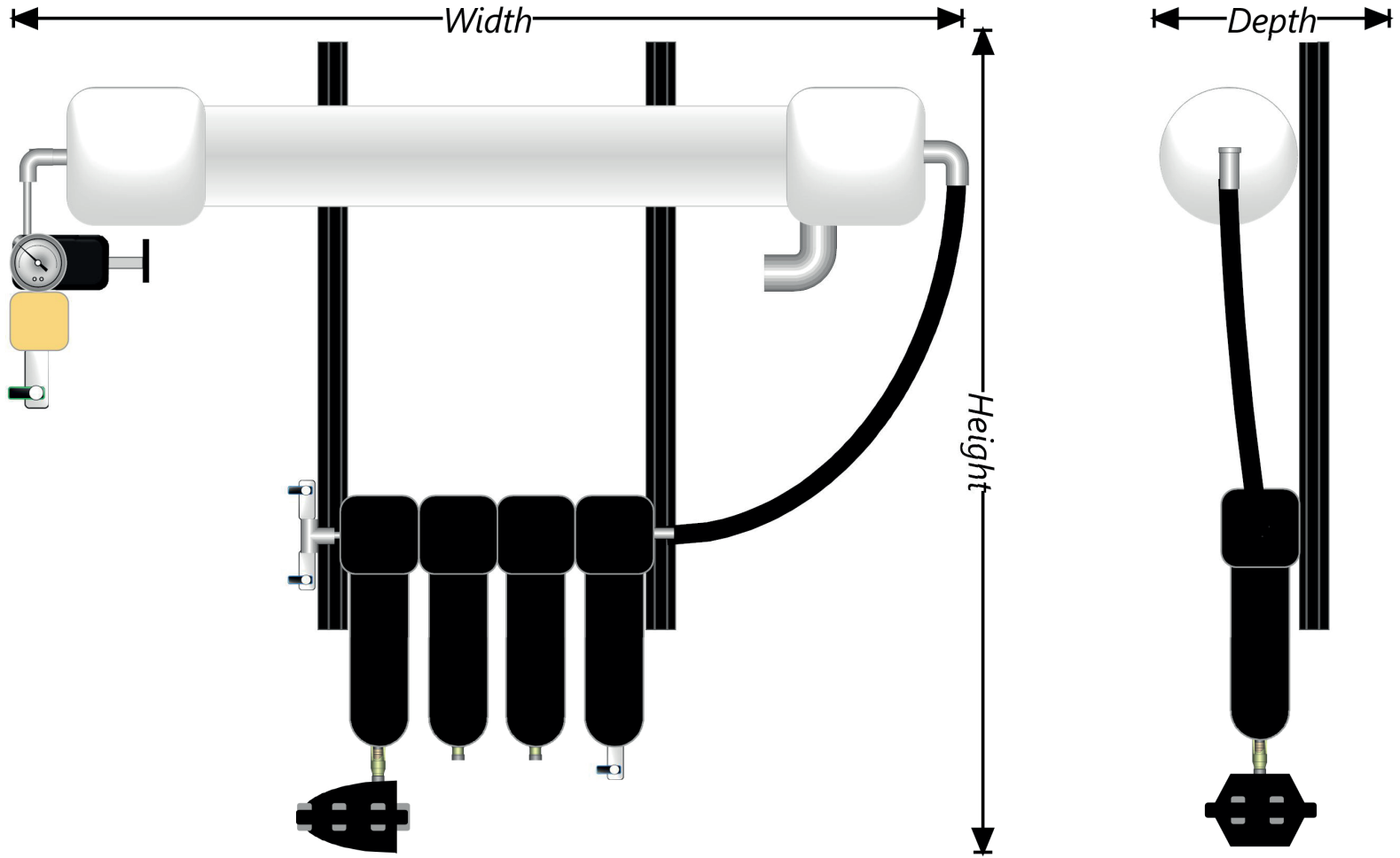


**nano**

Model No.: NMG 1317

[www.nano-purification.com](http://www.nano-purification.com)

©2024 Air and Gas Solutions LLC



Dimensions				
Width	Height	Depth	Weight	Connections
48" (1220 mm)	40" (1016 mm)	12" (305 mm)	65 lbs (29.6 kg)	1/2" FNPT