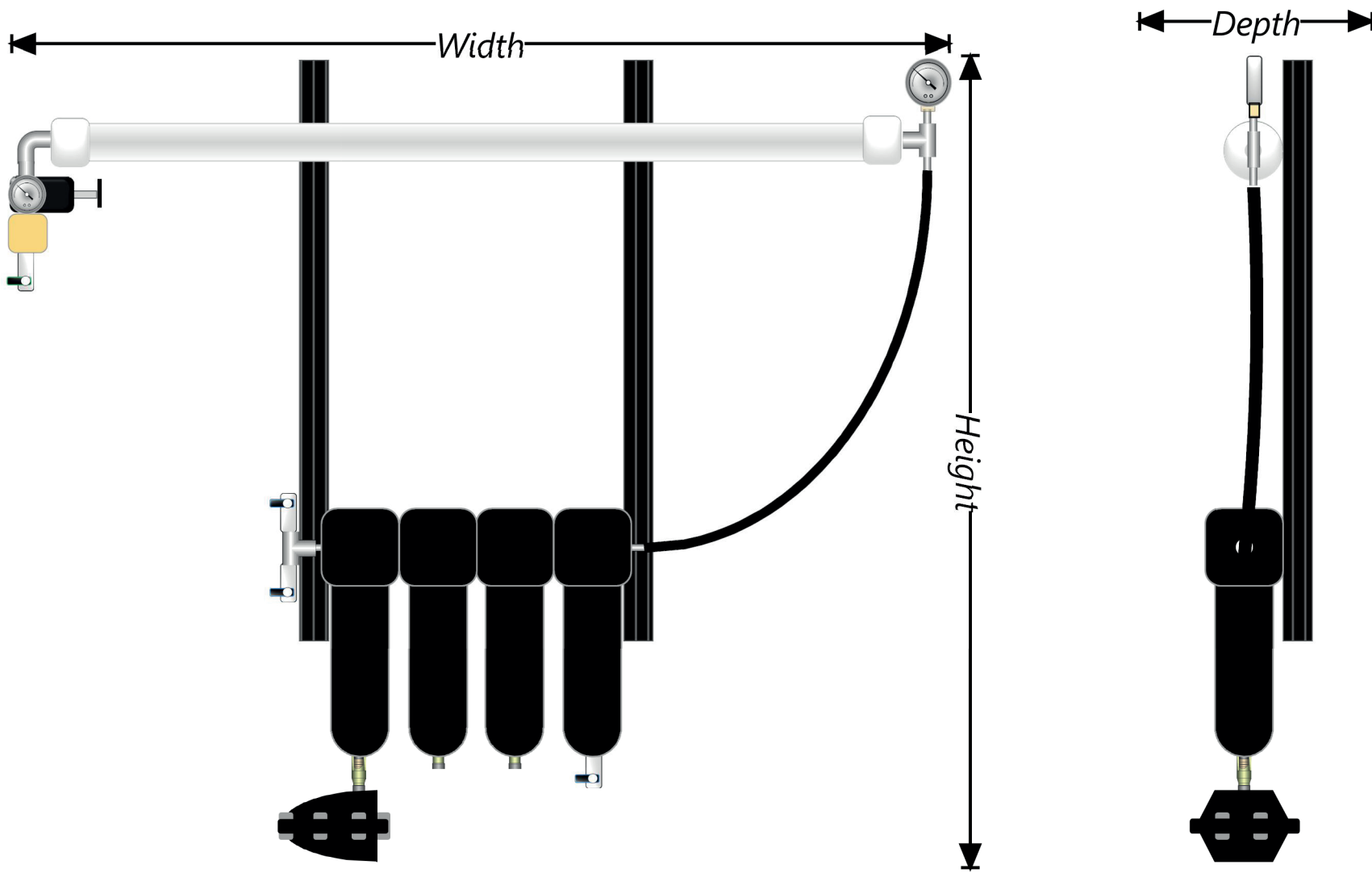


**nano**  
Model No.: NMG 163 [www.nanopurification.com](http://www.nanopurification.com)  
©2024 Air and Gas Solutions LLC



Dimensions				
Width	Height	Depth	Weight	Connections
48" (1220 mm)	40" (1016 mm)	12" (305 mm)	40 lbs (18.2 kg)	1/2" FNPT