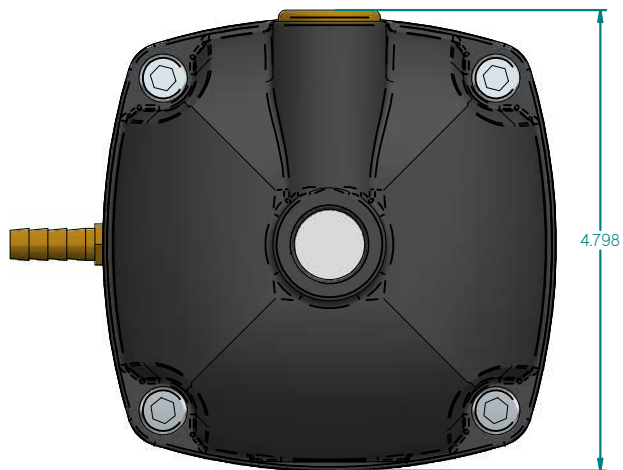
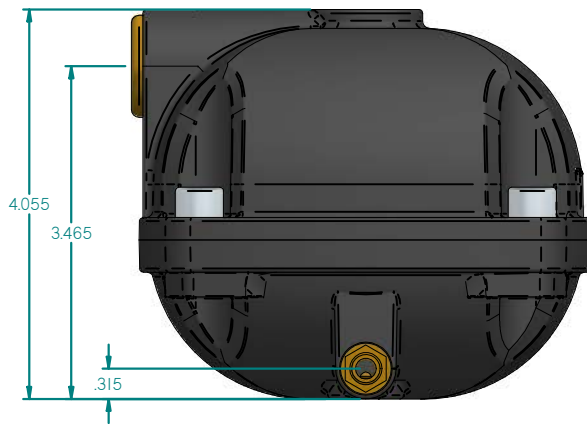
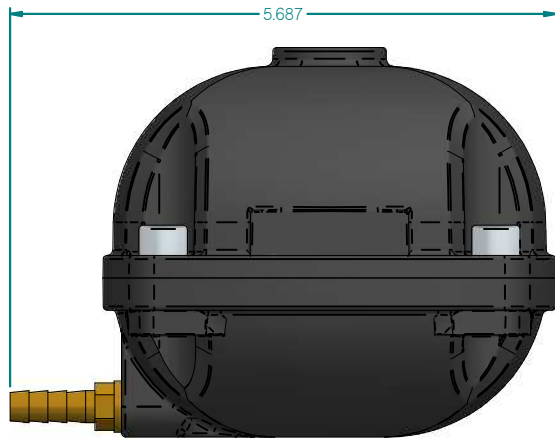


The original of this drawing is copyright and contains confidential information. It is property of nano-purification solutions without whose permission it may NOT be copied, shown or handed to a third party or otherwise used and it is to be returned promptly upon request to nano-purification solutions.



			<b>nano</b>										
			<b>NMD 12</b>										
			ARTIKEL NUMBER:										
			SIZE A4	REV A									
			Material:										
			ALL dimensions are in inches unless otherwise stated										
			SHEET: 1/1										
<table border="1"> <thead> <tr> <th></th> <th>NAME</th> <th>DATE</th> </tr> </thead> <tbody> <tr> <td>DRAWN</td> <td>FK</td> <td>30-11-2016</td> </tr> <tr> <td>CHECKED</td> <td></td> <td></td> </tr> </tbody> </table>				NAME	DATE	DRAWN	FK	30-11-2016	CHECKED			<p>nano-purification solutions 5509 David Cox Road Charlotte, NC 28269 USA Tel: +704.897-2182 www.nano-purification.com</p>	
	NAME	DATE											
DRAWN	FK	30-11-2016											
CHECKED													