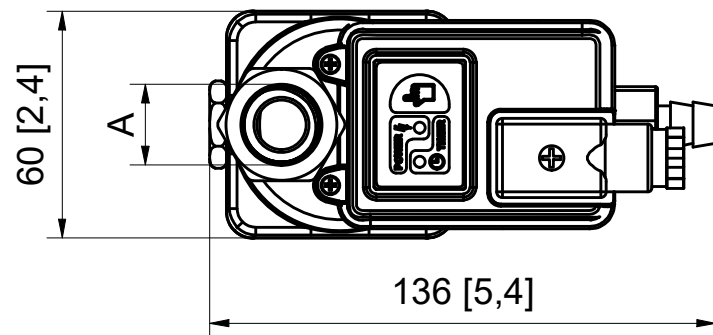
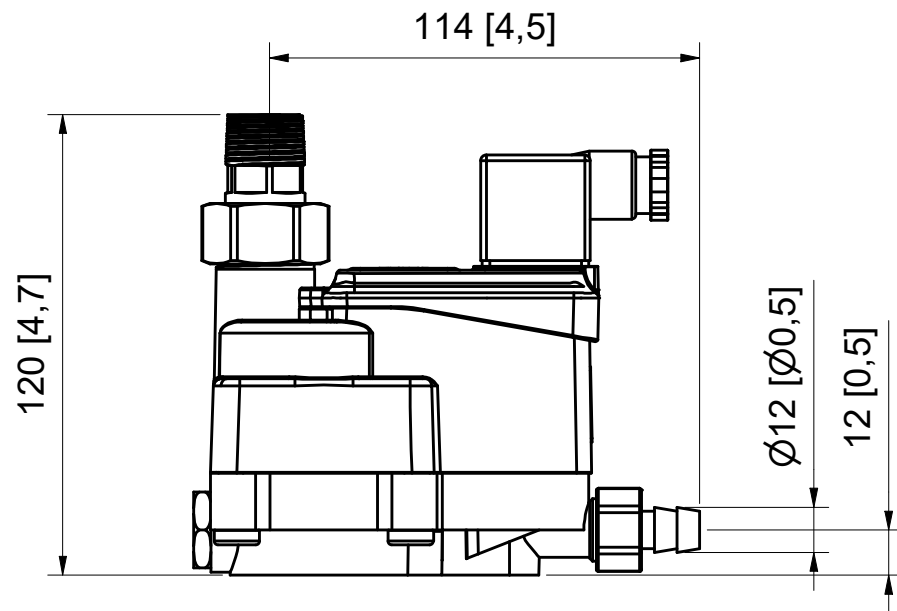


All materials supplied are in compliance with the requirements of the List of Prohibited Substances



PRESSURE EQUIPMENT PART

Designed, built, tested, certified and marked according to

European Directive PED 2014/68/EU and its amendments Art. 4.3

UK Pressure Equipment (Safety) Regulation 2016 S.I. 2016/1105 Regulation 8

Medium AIR/WATER

Design pressure 16 bar

Min. design temperature +1 °C

Max. design temperature +60 °C

Nominal diameter (DN) 15

Volume 0,06 L

Test pressure 24 bar

Testing according to SQA-plan :
 Sample test: X
 100% test:



NED 4L

ProductNr	ItemNr	Model	Power Supply	Inlet A
8102 0482 01	4001 1652 01	NED 4L B12 230V	240V AC	R 1/2" M
8102 0482 02	4001 1652 02	NED 4L N12 115V	115V AC	NPT R1/2" M
8102 0482 03	4001 1652 03	NED 4L B12 24Vac	24V AC	R 1/2" M
8102 0482 04	4001 1652 04	NED 4L B12 24Vdc	24V DC	R 1/2" M

Tolerances, if not indicated, according to:				
STANDARD CLASS				

Name	DRAIN ELECTRONIC			NED 4L	Confidentiality Class acc. to 1102 K
Material	Not Applicable			Confidential	
Treatment	Untreated			INV	

	Scale	1 : 2		Family	A3 Compare		Drawing owner
	Drawn by	AIR15392		Blank nr.	Replaces		
STATUS	Version Drwg	Blank wt	Kg	Fin. wt.	0,400 kg		Designation
Released	Des checked.	Prod checked.	Approved.	Date	9/05/2022		Sheet 1 / 1
							4001165200-01

CONFIDENTIAL:

This document is our property and shall not without our permission be altered, copied, used for manufacturing or communicated to any other person or company.

3		Drain naming changed from 2L to 4L	20/09/2022	User Agent	4001165400-M1	N/A
Ed	Position	Modified from	Date	Intr./Appd.	Parent 3D model	Ed . Version 3D