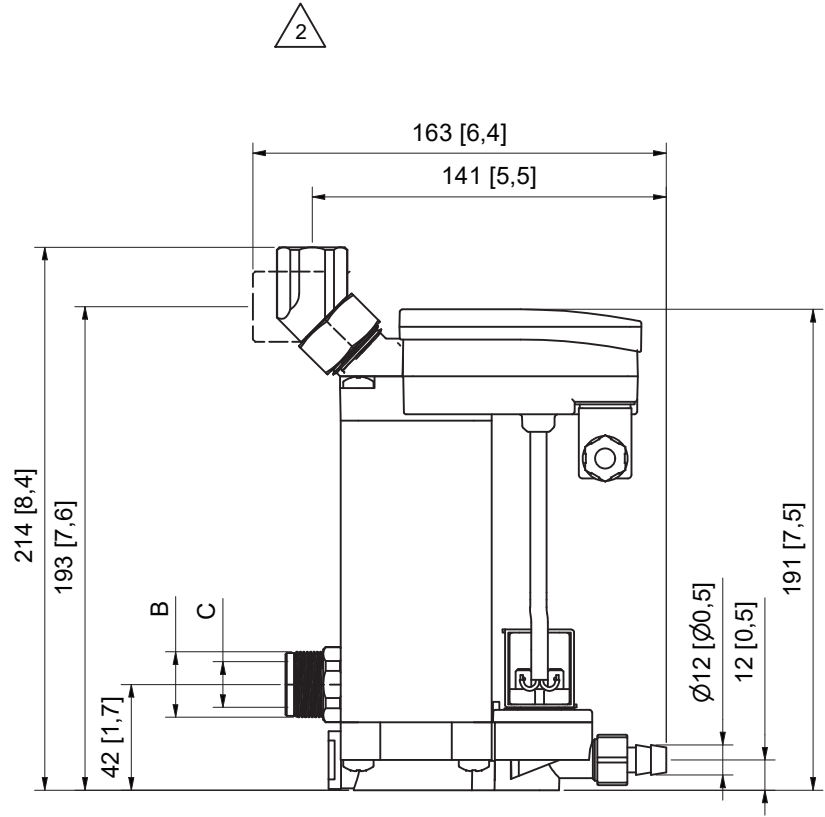


All materials supplied are in compliance with the requirements of the List of Prohibited Substances

CONFIDENTIAL: This document is our property and shall not without our permission be altered, copied, used for manufacturing or communicated to any other person or company.

NED 40LC						
ProductNr	ItemNr	Model	Power Supply	Inlet A	Inlet B	Inlet C
8102 0482 41	4001 1652 41	NED 40LC B12 230V	240V AC	G 1/2" F	G 3/4" M	G 1/2" F
8102 0482 42	4001 1652 42	NED 40LC N12 115V	115V AC	NPT R1/2" F	-	NPT R1/2" F
8102 0482 43	4001 1652 43	NED 40LC B12 24Vac	24V AC	G 1/2" F	G 3/4" M	G 1/2" F
8102 0482 44	4001 1652 44	NED 40LC B12 24Vdc	24V DC	G 1/2" F	G 3/4" M	G 1/2" F



PRESSURE EQUIPMENT PART	
Designed, built, tested, certified and marked according to	
European Directive PED 2014/68/EU and its amendments	Art. 4.3
UK Pressure Equipment (Safety) Regulation 2016 S.I. 2016/1105	Regulation 8
Medium	AIR/WATER
Design pressure	16 bar
Min. design temperature	+1 °C
Max. design temperature	+60 °C
Nominal diameter (DN)	15
Volume	0,22 L
Test pressure	24 bar
Testing according to SQA-plan :	Sample test: <input checked="" type="checkbox"/>
	100% test: <input type="checkbox"/>

Tolerances, if not indicated, according to:									
STANDARD CLASS									
Name DRAIN ELECTRONIC					NED 40LC				
Material Not Applicable					Confidentiality Class acc. to 1102 K Confidential				
Treatment Untreated					INV				
nano		Scale 1 : 2		Family		A3 Compare		Drawing owner	
Drawn by AIR15392		Blank nr.		Replaces		API			
Version Drwg		Blank wt		Kg Fini wt. 1,200 kg		Designation		Sheet 1 / 1	
Des checked.		Prod checked.		Approved.		Date 7/06/2022		4001165240-01	
STATUS		Released							

2		Drain naming 40LC was 70LC	23/08/2022	User Agent	4001165440-M1	
Ed	Position	Modified from	Date	Intr./Appd.	Parent 3D model	Ed . Version 3D