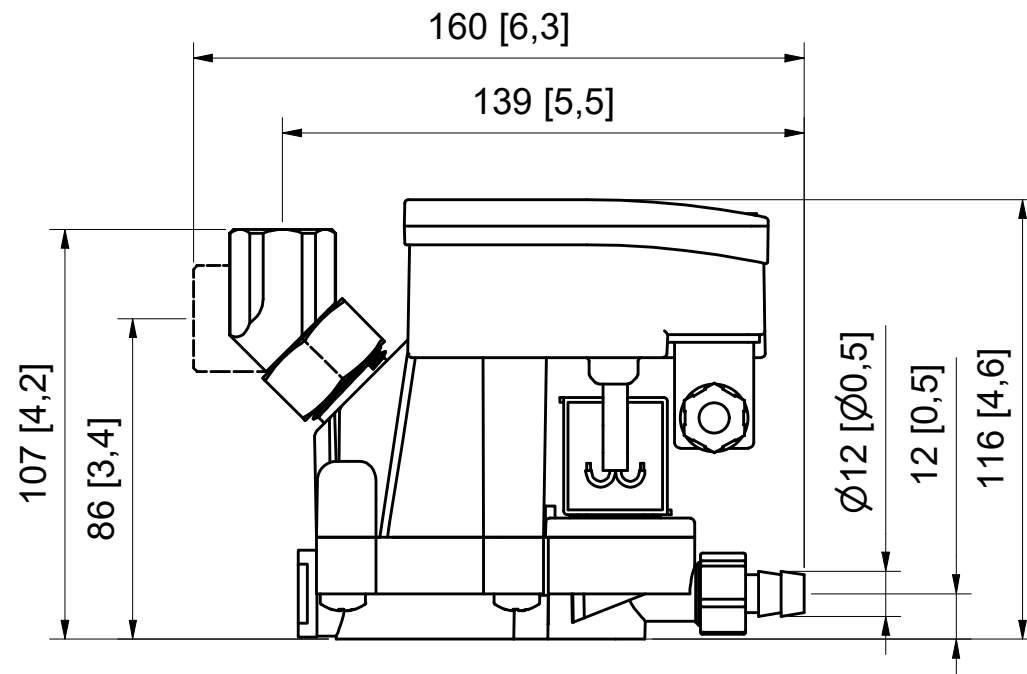
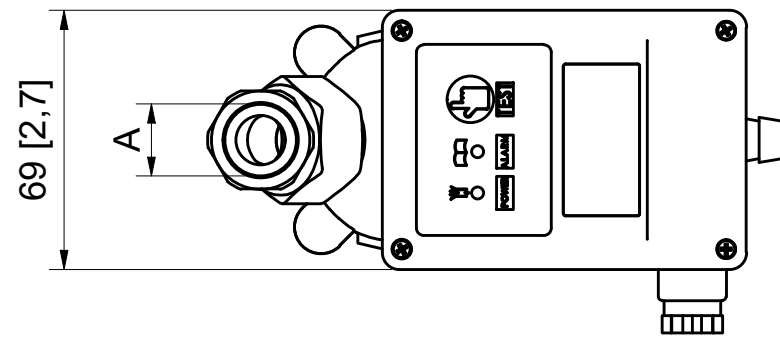


All materials supplied are in compliance with the requirements of the List of Prohibited Substances



PRESSURE EQUIPMENT PART	
Designed, built, tested, certified and marked according to	
European Directive PED 2014/68/EU and its amendments	Art. 4.3
UK Pressure Equipment (Safety) Regulation 2016 S.I. 2016/1105	Regulation 8
Medium	AIR/WATER
Design pressure	16 bar
Min. design temperature	+1 °C
Max. design temperature	+60 °C
Nominal diameter (DN)	15
Volume	0,08 L
Test pressure	24 bar
Testing according to SQA-plan :	Sample test: <input checked="" type="checkbox"/> X 100% test: <input type="checkbox"/>



NED 6LC

ProductNr	ItemNr	Model	Power Supply	Inlet A
8102 0482 11	4001 1652 11	NED 6LC B12 230V	240V AC	G 1/2" F
8102 0482 12	4001 1652 12	NED 6LC N12 115V	115V AC	NPT R1/2" F
8102 0482 13	4001 1652 13	NED 6LC B12 24Vac	24V AC	G 1/2" F
8102 0482 14	4001 1652 14	NED 6LC B12 24Vdc	24V DC	G 1/2" F

Tolerances, if not indicated, according to:								
STANDARD CLASS								
Name	DRAIN ELECTRONIC			NED 6LC		Confidentiality Class acc. to 1102 K		
Material	Not Applicable					Confidential		
Treatment	Untreated					INV		
	Scale	1 : 2		Family	A3 Compare		Drawing owner	
	Drawn by	AIR15392		Blank nr.			API	
STATUS	Version Drwg	Blank wt	Kg	Fin. wt.	0,500 kg		Designation	
Released	Des checked.	Prod checked.	Approved.	Date	9/05/2022		Sheet 1 / 1	
						4001165210-01		

CONFIDENTIAL:

This document is our property and shall not without our permission be altered, copied, used for manufacturing or communicated to any other person or company.

3		Drain naming changed from 4L to 6LC	20/09/2022	User Agent	4001165410-M1	
Ed	Position	Modified from	Date	Intr./Appd.	Parent 3D model	Ed . Version 3D