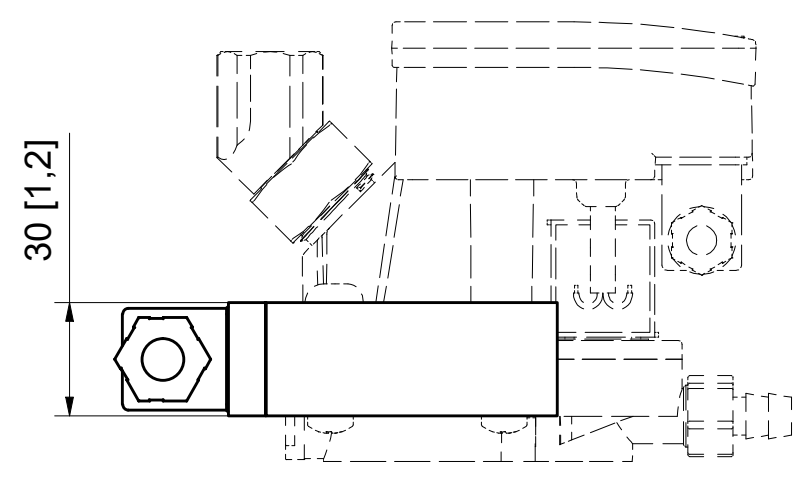
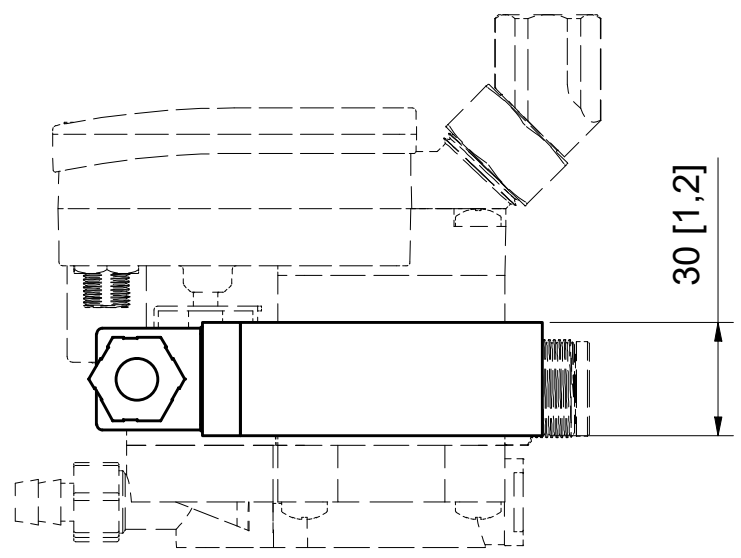


All materials supplied are in compliance with the requirements of the List of Prohibited Substances

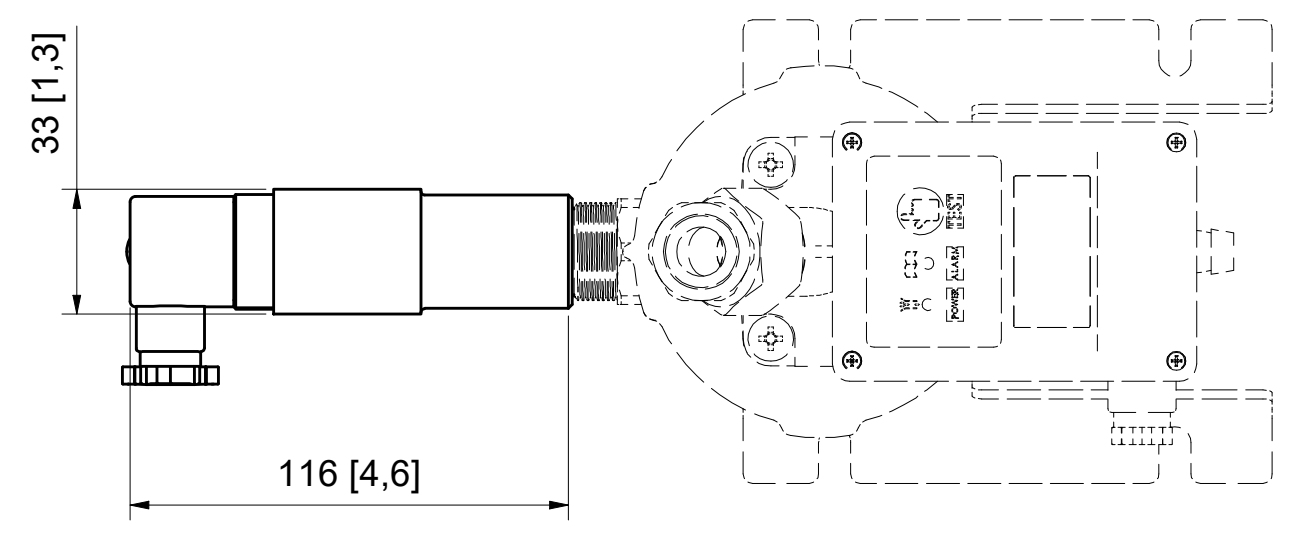
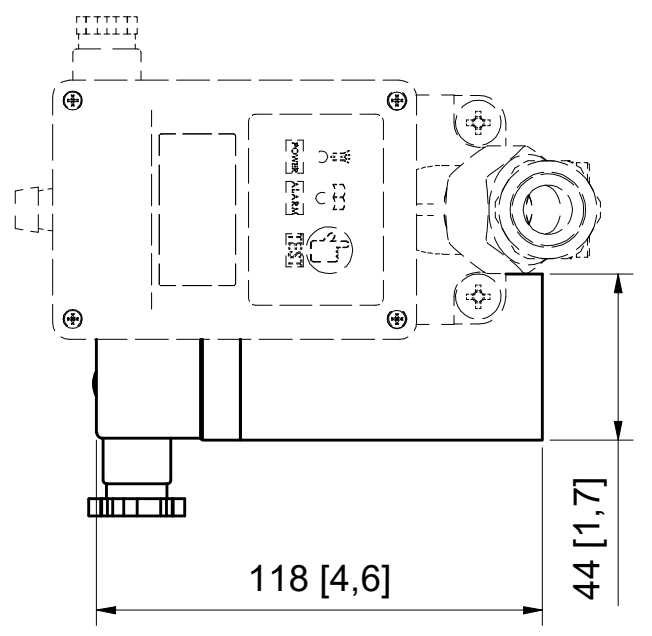
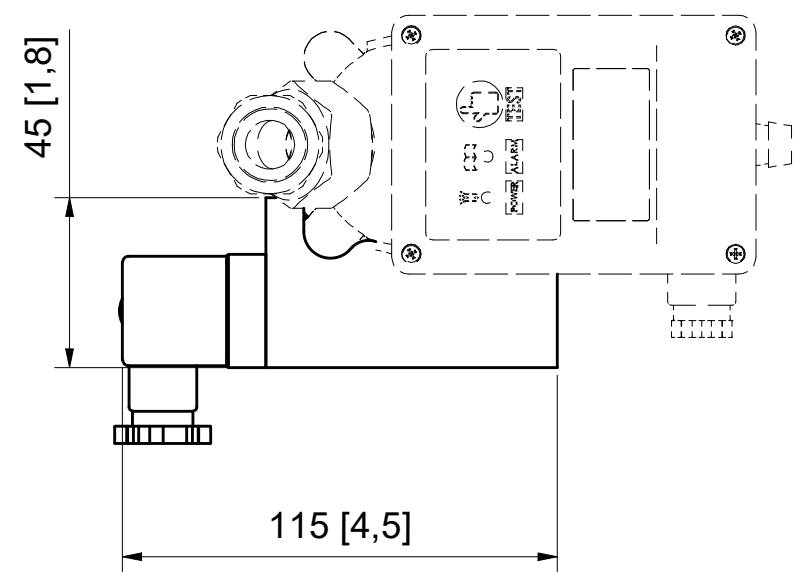
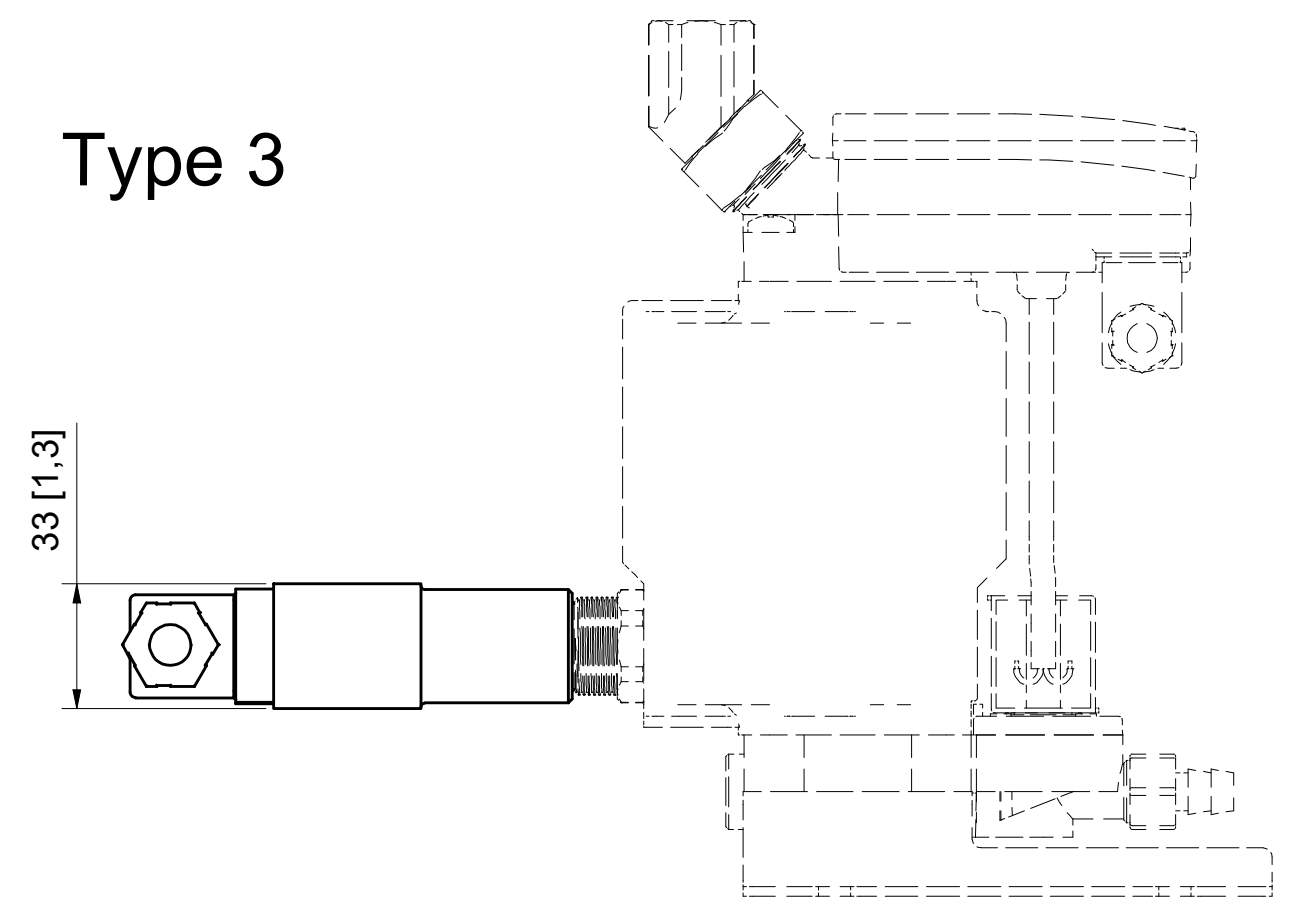
Type 1



Type 2



Type 3



Heater

ProductNr	Model	Type	Power Supply	NED 4L	NED 6LC	NED 8LC	NED 16LC	NED 40LC	NED 160LC	NED 350L
8092 3530 50	C683 230V	Type 1	230V AC		X					
8092 3530 51	C716 115V UL	Type 1	115V AC		X					
8092 3530 52	C685 230V	Type 2	230V AC	X		X	X	X		
8092 3530 53	C717 115V UL	Type 2	115V AC	X		X	X	X		
8092 3530 54	C686 230V	Type 3	230V AC						X	X
8092 3530 55	C718 115V UL	Type 3	115V AC						X	X



Tolerances, if not indicated, according to:											
STANDARD CLASS											
Name HEATER CORE									Confidentiality Class acc. to 1102 K		
Material Not applicable									Confidential		
Treatment Untreated									INV		
Scale 1 : 2			Family			A2 Compare			Drawing owner		
Drawn by AIR15392			Blank nr.			Replaces			API		
STATUS		Version Drwg		Blank wt		Kg		Fini wt.		N/A	
Des checked.		Prod checked.		Approved.		Date		13/09/2022		Designation	
Released										Sheet 1 / 1	
4001165290-01											

CONFIDENTIAL: This document is our property and shall not without our permission be altered, copied, used for manufacturing or communicated to any other person or company.

3	Ed	Position	Drain naming changed	20/09/2022	User Agent
			Modified from	Date	Intr./Appd.

4001165491-M1	Ed . Version 3D
Parent 3D model	