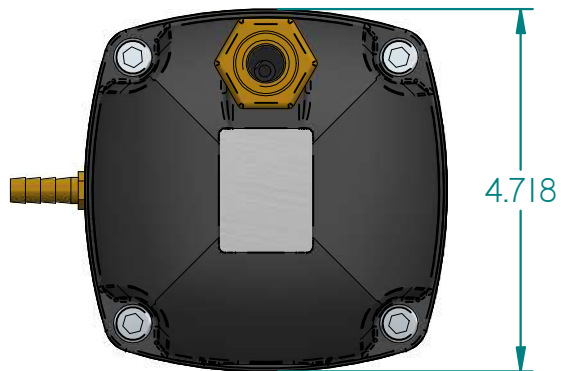
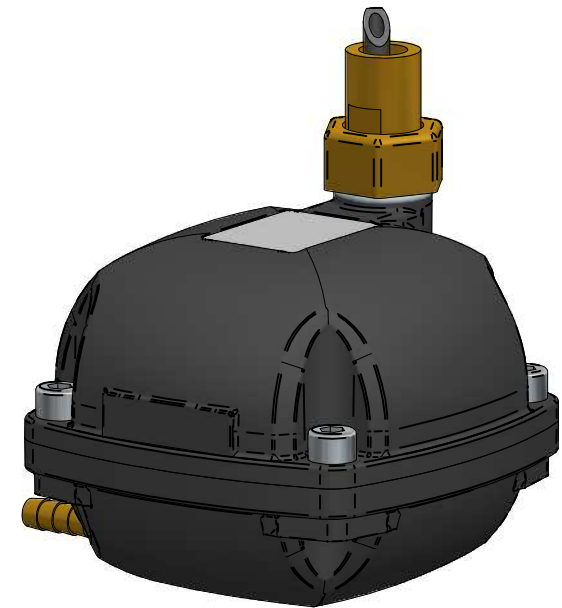
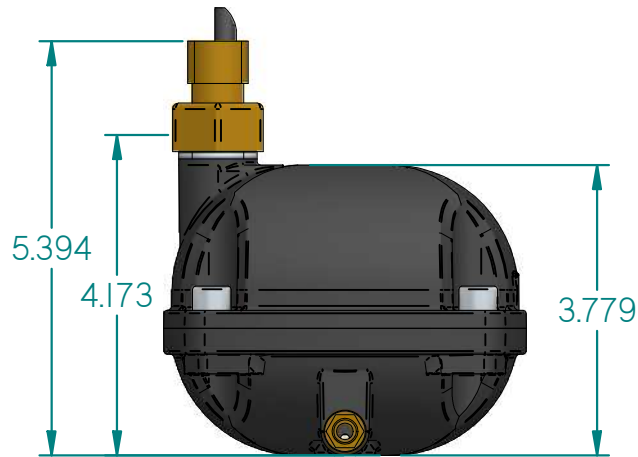
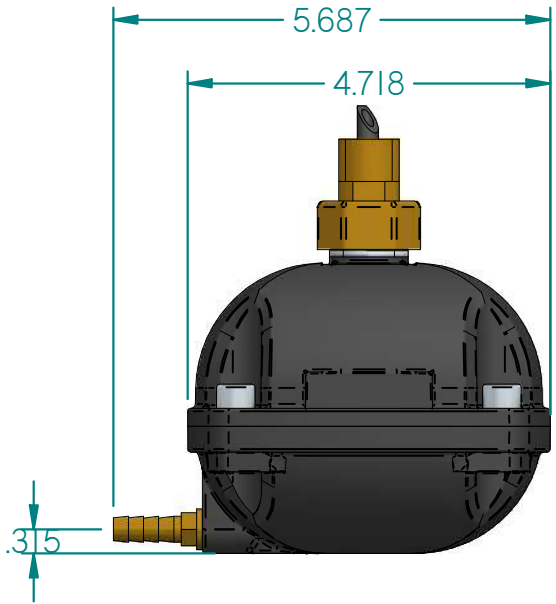


The original of this drawing is copyright and contains confidential information. It is property of nano-purification solutions without whose permission it may NOT be copied, shown or handed to a third party or otherwise used and it is to be returned promptly upon request to nano-purification solutions.



			nano		
	NAME	DATE	NMD 6		
DRAWN	FK	22-11-2016			
CHECKED			ARTIKEL NUMBER:		
nano-purification solutions 5509 David Cox Road Charlotte, NC 28269 USA Tel: +704.897-2182 www.nano-purification.com			SIZE A4	Material:	REV A
			ALL dimensions are in inches unless otherwise stated		
			SHEET: 1/1		