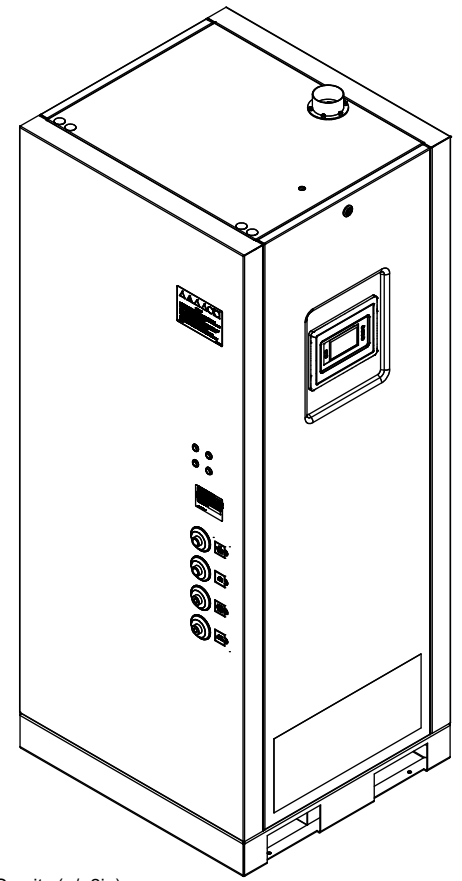
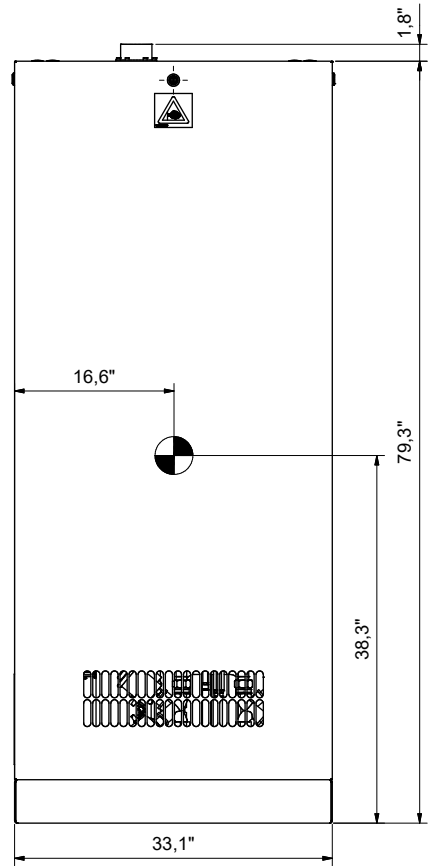
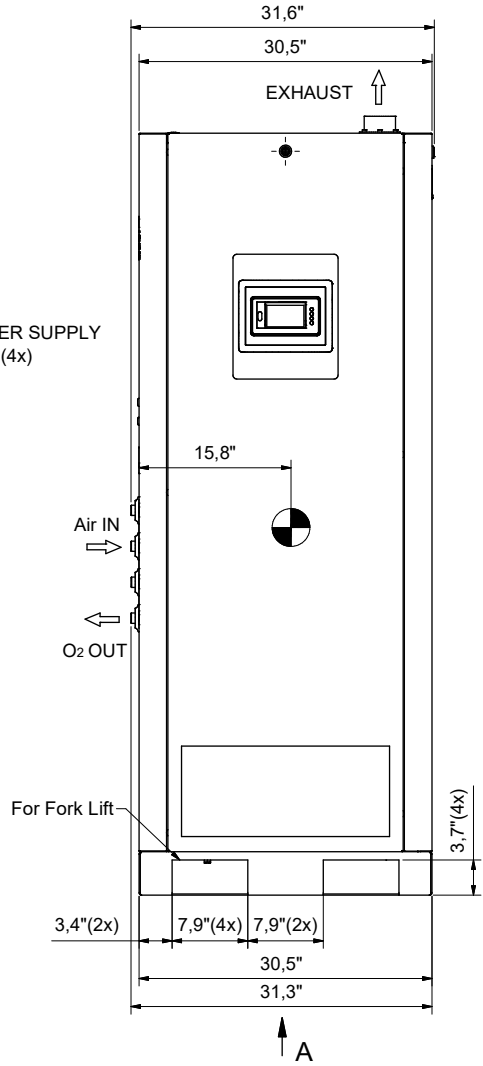
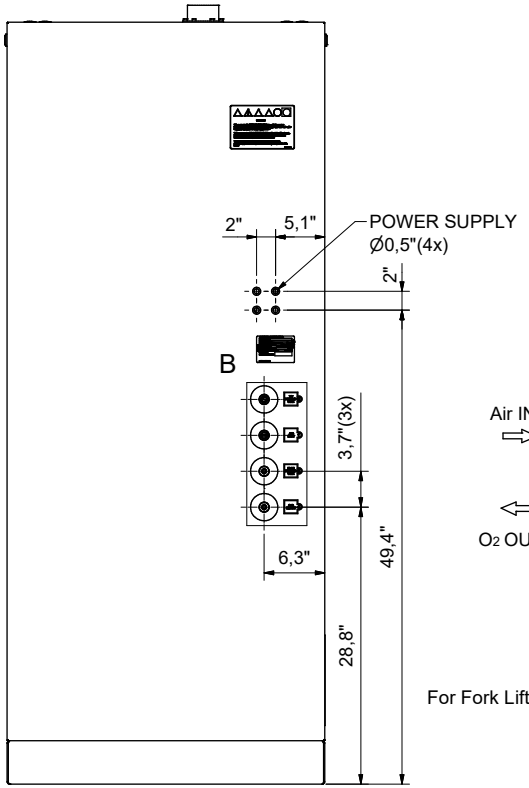
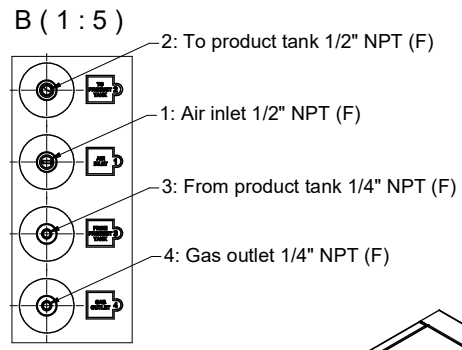
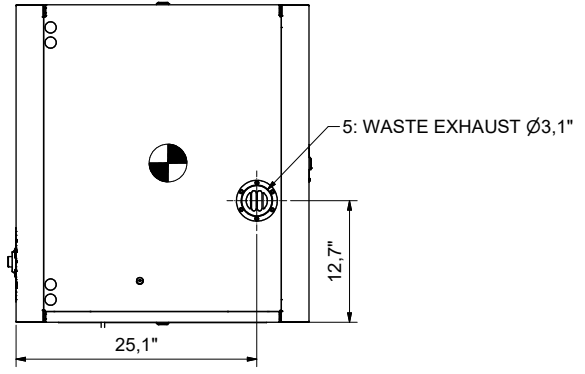
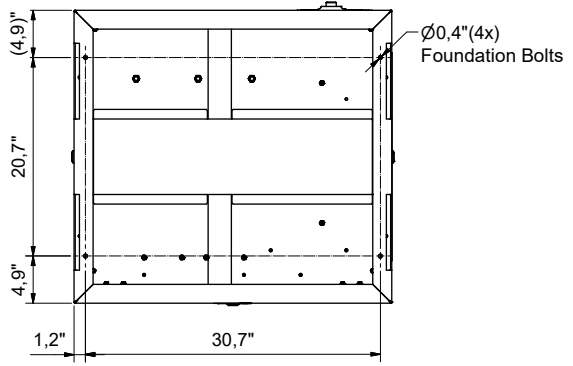


All materials specified are in compliance with the requirements of the List of Prohibited Substances.

'A'
BOTTOM VIEW



Weight: 701 pounds

Attention : 3rd angle projection is used

Tolerances, if not indicated, according to:					
STANDARD CLASS					
Name	DIMENS. DRWG		OGX110		Confidentiality Class acc. to 1102 K
Material	Not applicable				Internal
Treatment	Not Applicable				INV
Scale		1 : 10	Family	A2 Compare	
Drawn by		INEBM	Blank nr.		Replaces
Version Drwg			Kg Fini wt.		Designation
STATUS		Des checked.	Prod checked.	Approved.	Date
9828530055-M1		03.00			08/08/2022
Parent 3D model		Ed . Version 3D		Released	
				Sheet 1 / 1	
				9828530047-02	

CONFIDENTIAL: This document is our property and shall not without our permission be altered, copied, used for manufacturing or communicated to any other person or company.

Ed	Position	Modified from	Date	Intr./Appd.
1				