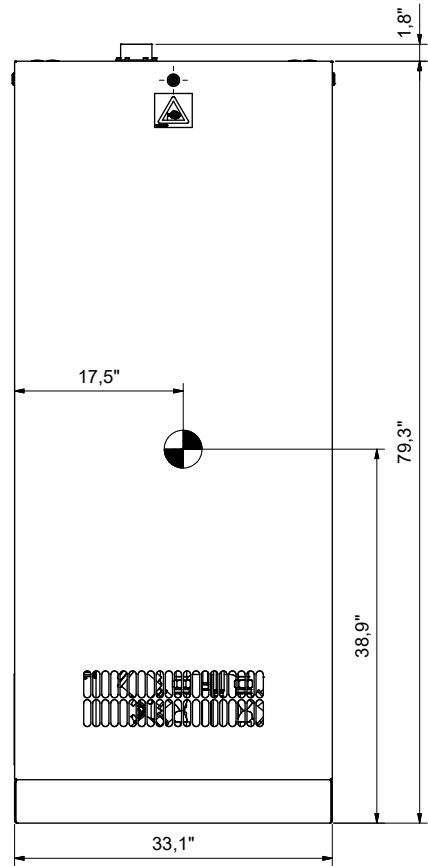
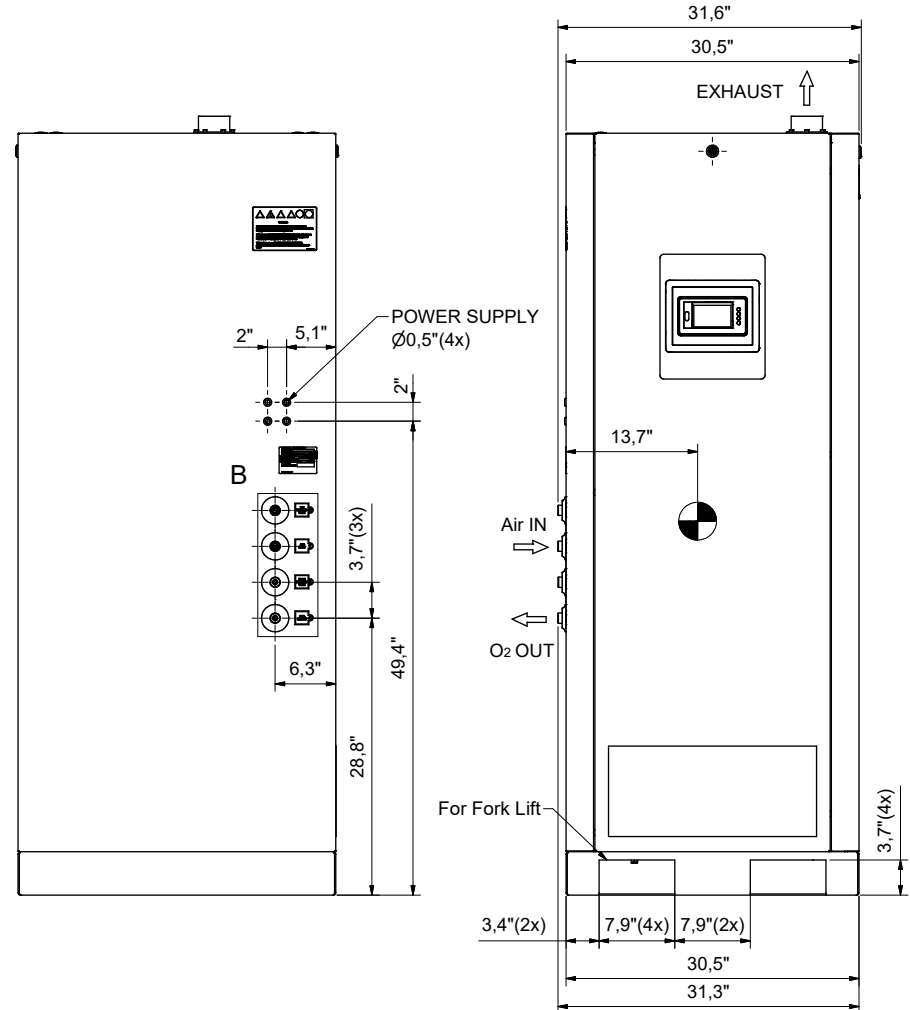
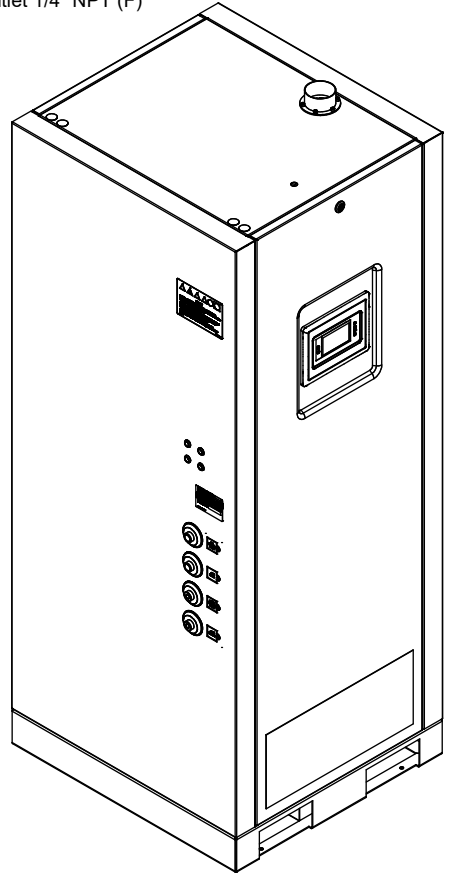
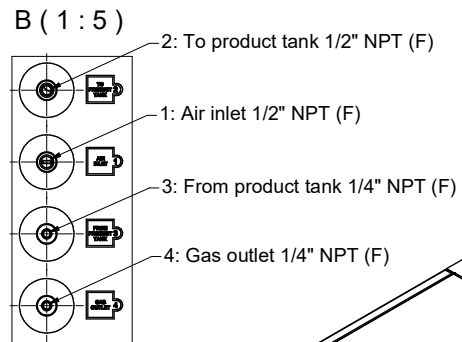
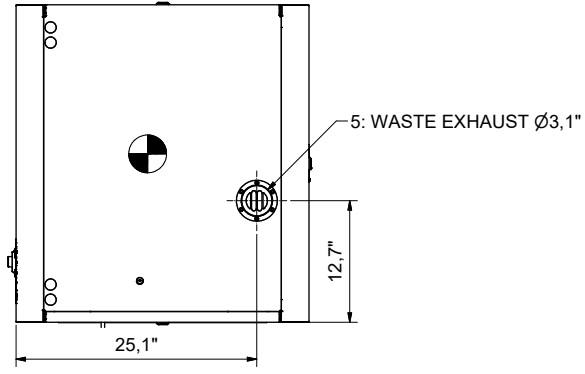
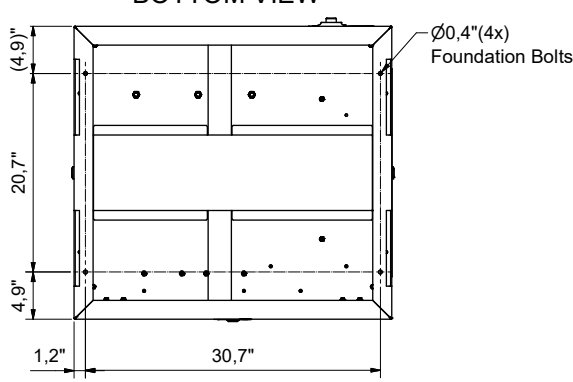


All materials specified are in compliance with the requirements of the List of Prohibited Substances.

**'A'**  
**BOTTOM VIEW**



Center of Gravity (+/- 2in)

Weight: 882 pounds

Attention : 3rd angle projection is used

Tolerances, if not indicated, according to:					
STANDARD CLASS					
Name	DIMENS. DRWG		OGX220		Confidentiality Class acc. to 1102 K
Material	Not applicable		Internal		
Treatment	Not Applicable		INV		
		Scale	1 : 10	Family	A2 Compare
Version Drwg	Drawn by	Blank nr.			Replaces
	INEBM				API
STATUS		Version Drwg	Blank wt.	Kg	Fin. wt.
Released		Des checked.	Prod checked.	Approved.	Date
9828530056-M1		03.00			08/08/2022
Parent 3D model		Ed . Version 3D		Designation	
				Sheet 1 / 1	
				9828530048-02	

CONFIDENTIAL: This document is our property and shall not without our permission be altered, copied, used for manufacturing or communicated to any other person or company.

1					
Ed	Position	Modified from	Date	Intr./Appd.	