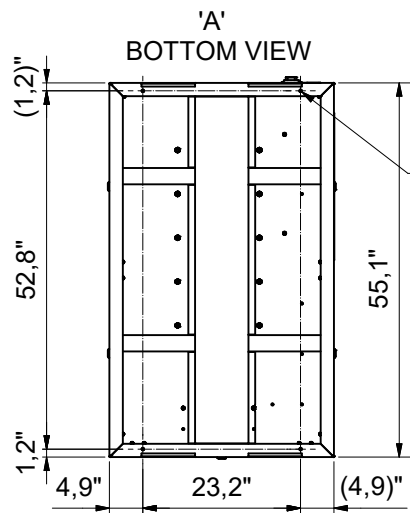
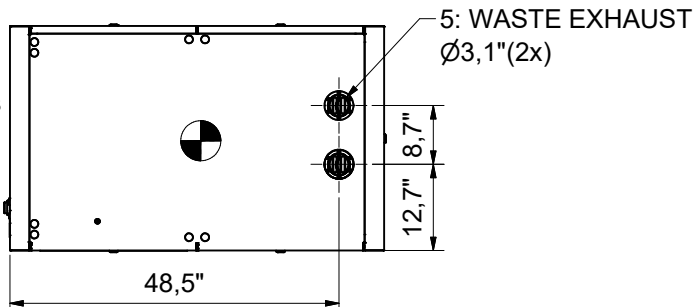


All materials supplied are in compliance with the requirements of the List of Prohibited Substances

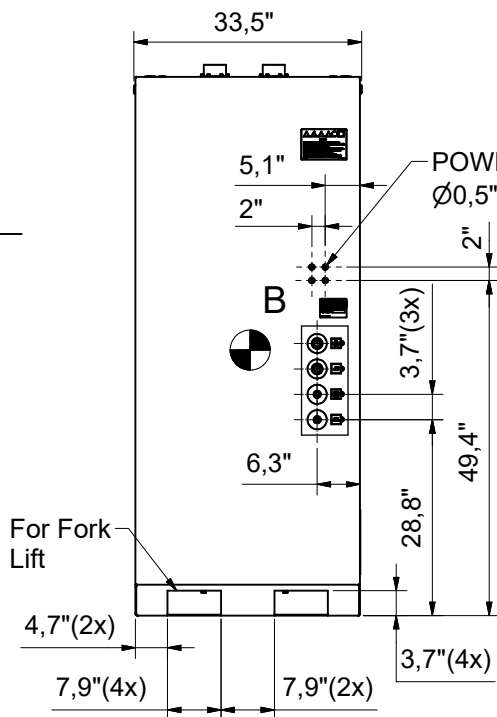
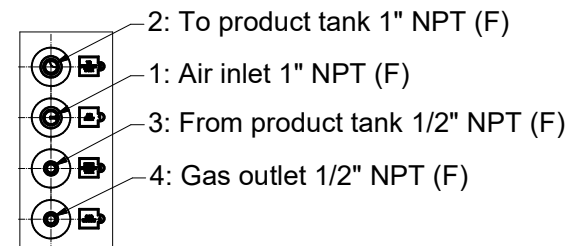
CONFIDENTIAL: This document is our property and shall not without our permission be altered, copied, used for manufacturing or communicated to any other person or company.



Ø0,4"(4x)  
Foundation Bolts

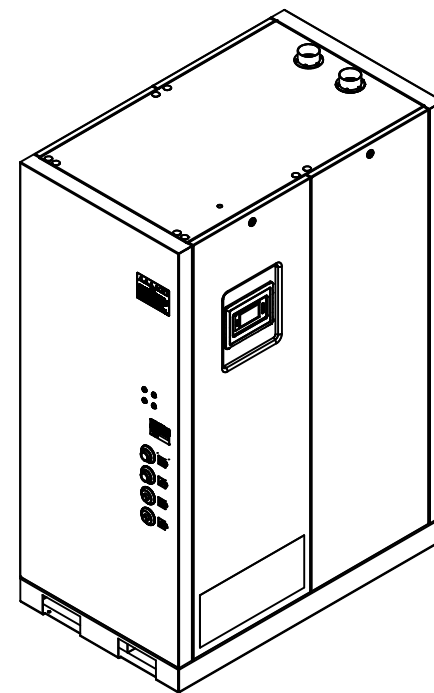
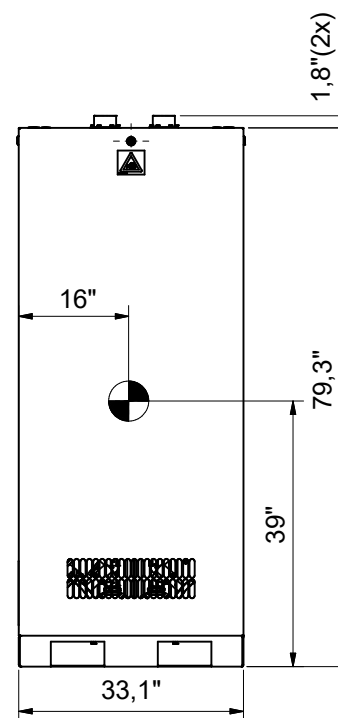
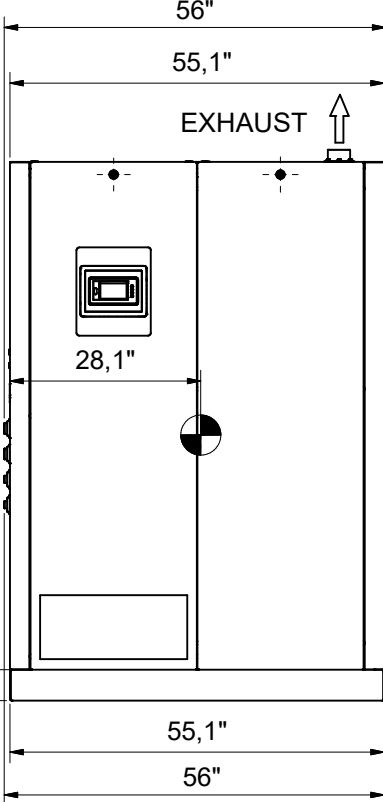


B ( 1 : 10 )



POWER SUPPLY  
Ø0,5"(4x)

Air IN  
O<sub>2</sub> OUT



Attention : 3rd angle projection is used



Center of Gravity (+/- 2in)

Weight: 1557 pounds

Tolerances, if not indicated, according to:									
STANDARD CLASS									
Name DIMENS. DRWG					OGX440			Confidentiality Class acc. to 1102 K	
Material Not applicable					Internal			INV	
Treatment Not Applicable									Drawing owner
Scale 1 : 20		Family		A3 Compare		Drawing owner			
Drawn by INEBM		Blank nr.		Replaces		API			
Version Drwg		Blank wt.		Kg Fini wt.		Designation		Sheet 1 / 1	
Des checked.		Prod checked.		Approved.		Date 13/08/2022		9828530050-02	
STATUS Released									

1					9828530058-M1	03.00
Ed	Position	Modified from	Date	Intr./Appd.	Parent 3D model	Ed . Version 3D