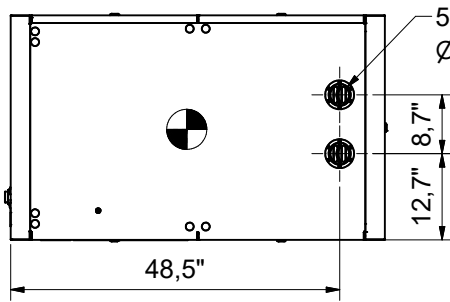
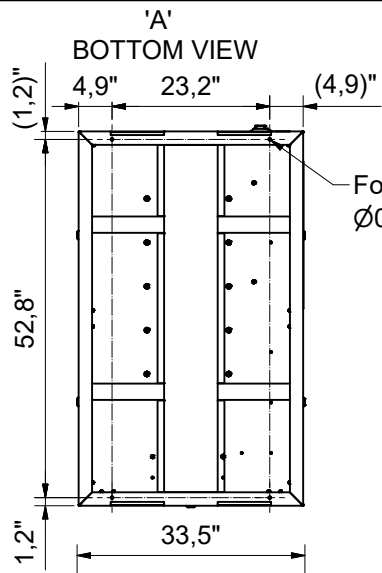
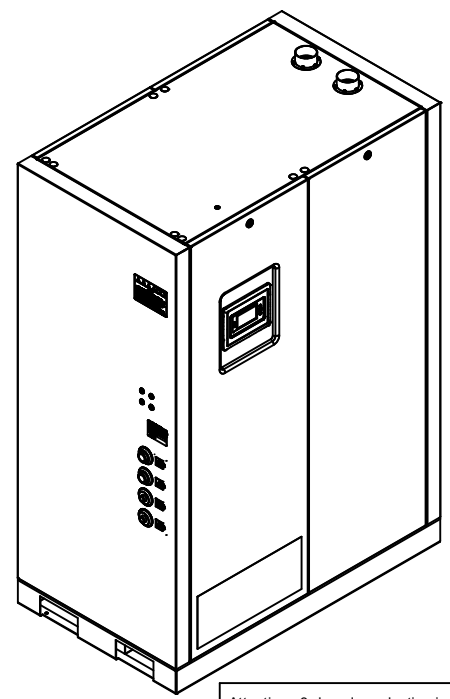
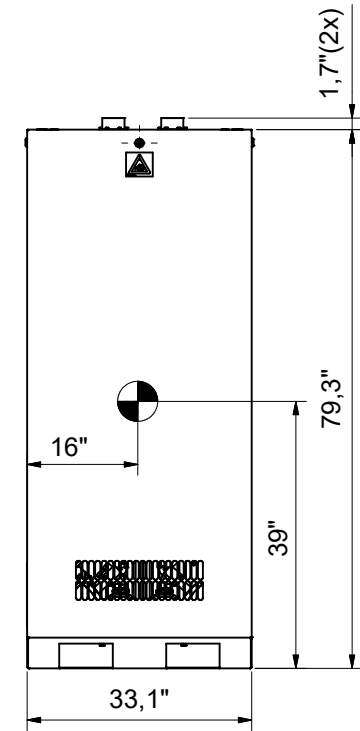
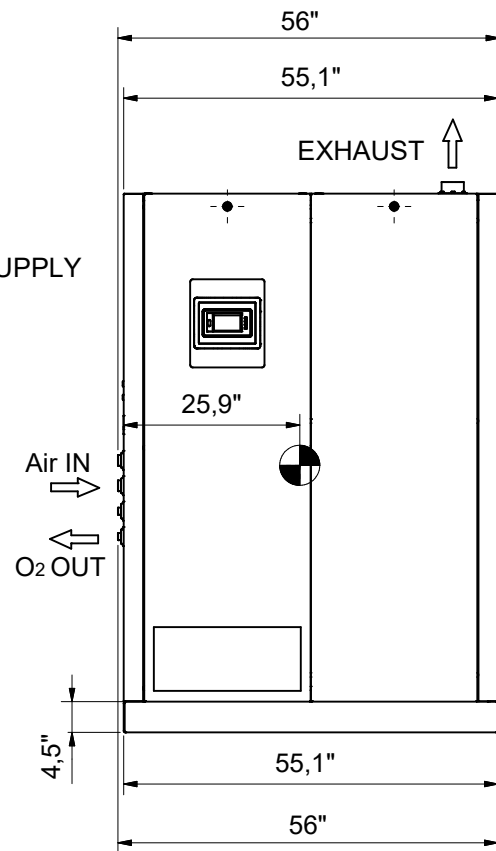
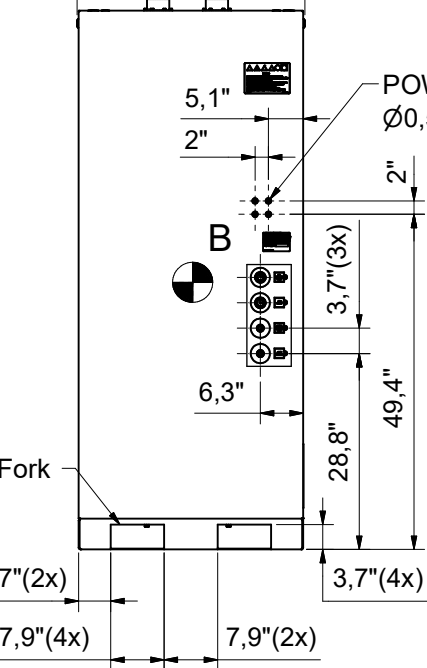
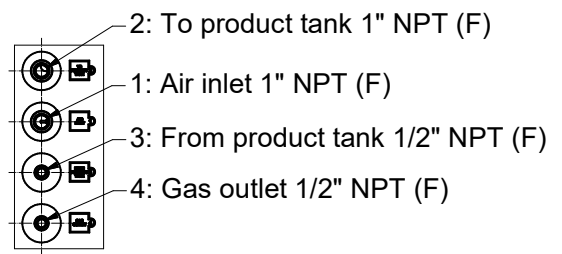


All materials supplied are in compliance with the requirements of the List of Prohibited Substances

CONFIDENTIAL: This document is our property and shall not be used or disseminated without our permission. It is to be used only for manufacturing or communication to any other person or company.



B (1 : 10)



Attention : 3rd angle projection is used

Center of Gravity (+/- 2in)

Weight: 1738 pounds

Tolerances, if not indicated, according to:									
STANDARD CLASS									
Name DIMENS. DRWG					OGX550			Confidentiality Class acc. to 1102 K	
Material Not applicable					Internal				
Treatment Not Applicable					INV				
		Scale 1 : 20		Family		A3 Compare		Drawing owner	
Drawn by INEBM		Blank nr.		Replaces		API			
Version Drwg		Blank wt.		Kg Fini wt.		Designation		Sheet 1 / 1	
Des checked.		Prod checked.		Approved.		Date 13/08/2022		9828530051-02	

1				9828530059-M1	03.00
Ed	Position	Modified from	Date	Intr./Appd.	Parent 3D model Ed . Version 3D