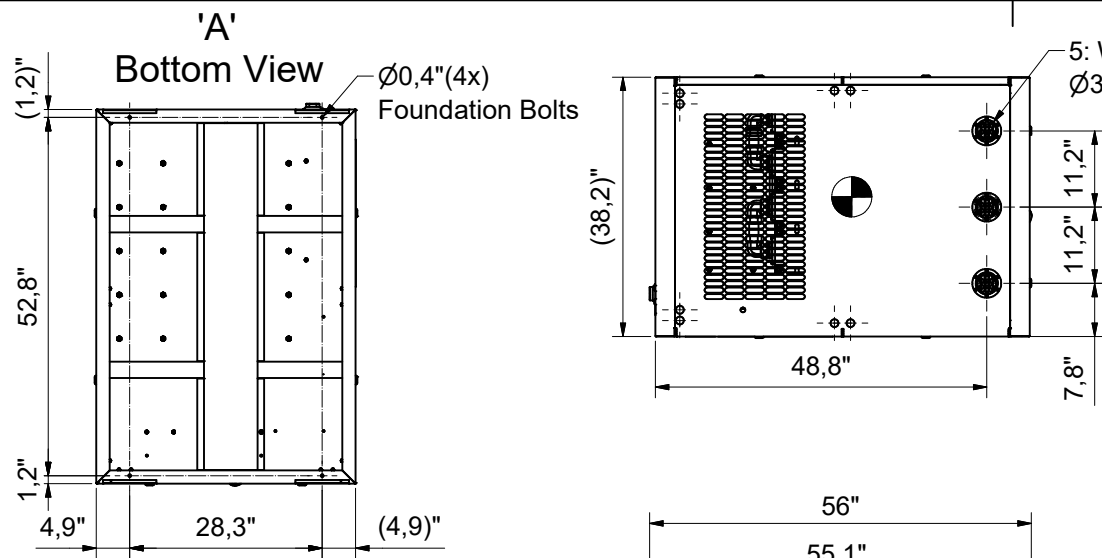
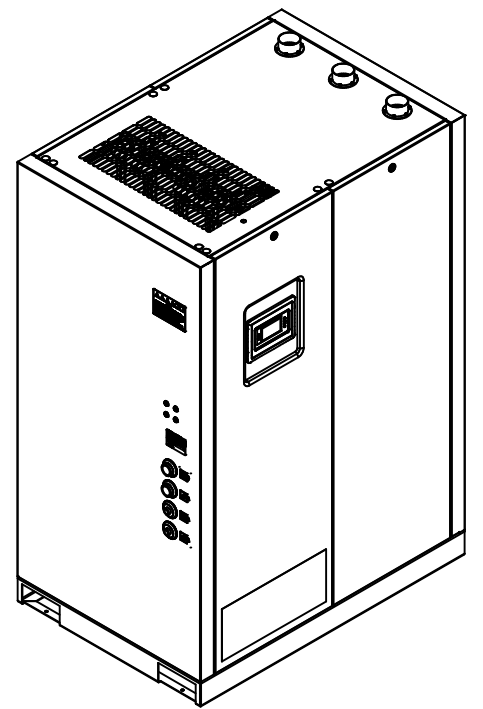
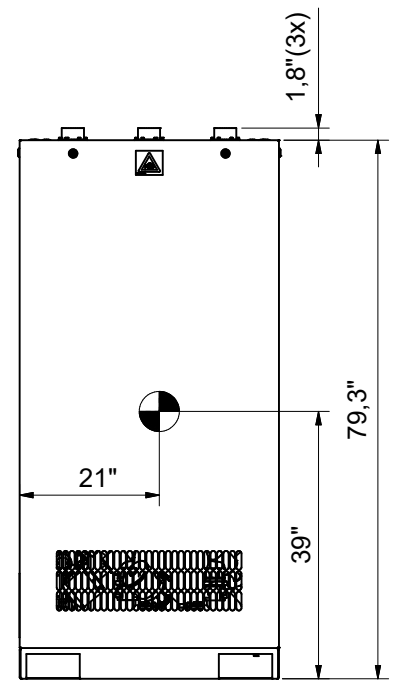
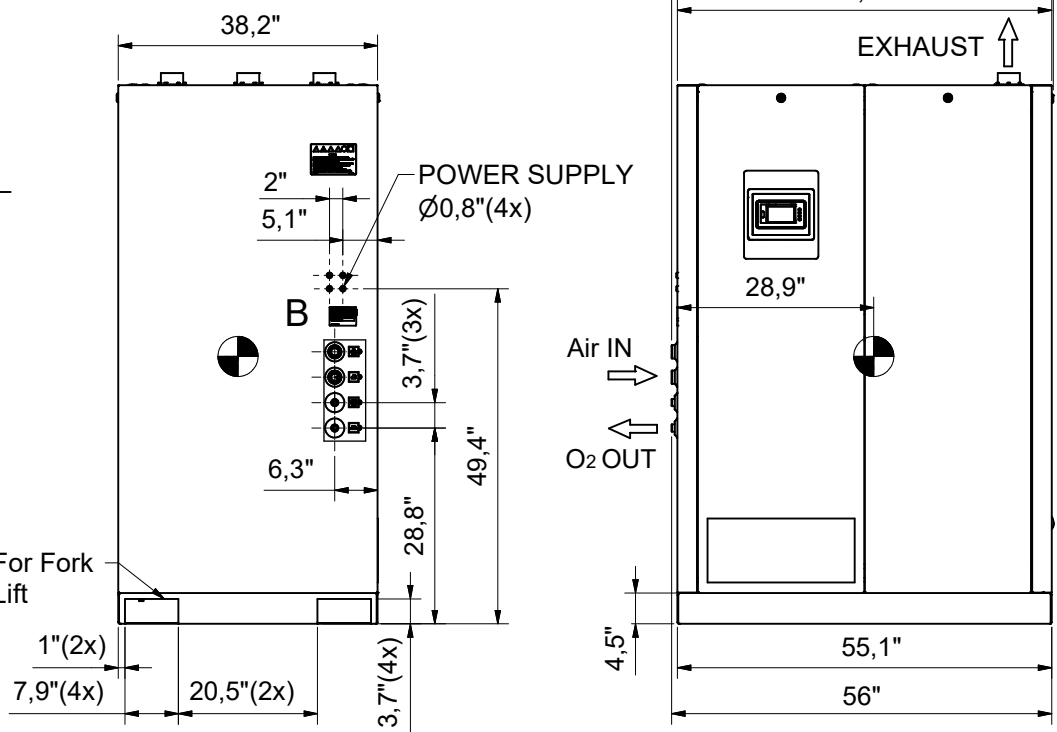
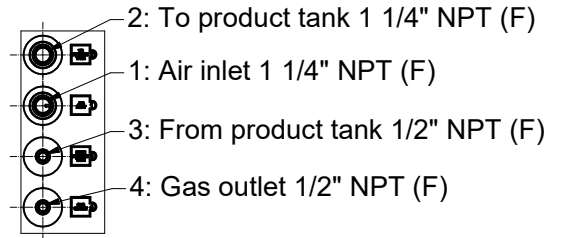


All materials supplied are in compliance with the requirements of the List of Prohibited Substances



B (1 : 10)



Attention : 3rd angle projection is used

CONFIDENTIAL: This document is our property and shall not without our permission be altered, copied, used for manufacturing or communicated to any other person or company.

Center of Gravity (+/- 2in)
 Weight: 2139 pounds

Tolerances, if not indicated, according to:									
STANDARD CLASS									
Name DIMENS. DRWG					OGX660			Confidentiality Class acc. to 1102 K	
Material Not applicable					Internal			INV	
Treatment Not Applicable								Drawing owner	
Scale 1 : 20		Family			A3 Compare		Drawing owner		
Drawn by INEBM		Blank nr.			Replaces		API		
Version Drwg		Blank wt.		Kg Fini wt.		Designation		Sheet 1 / 1	
Des checked.		Prod checked.		Approved.		Date		9828530052-02	
Released						13/08/2022			

1				9828530060-M1	03.00
Ed	Position	Modified from	Date	Intr./Appd.	Parent 3D model
					Ed . Version 3D