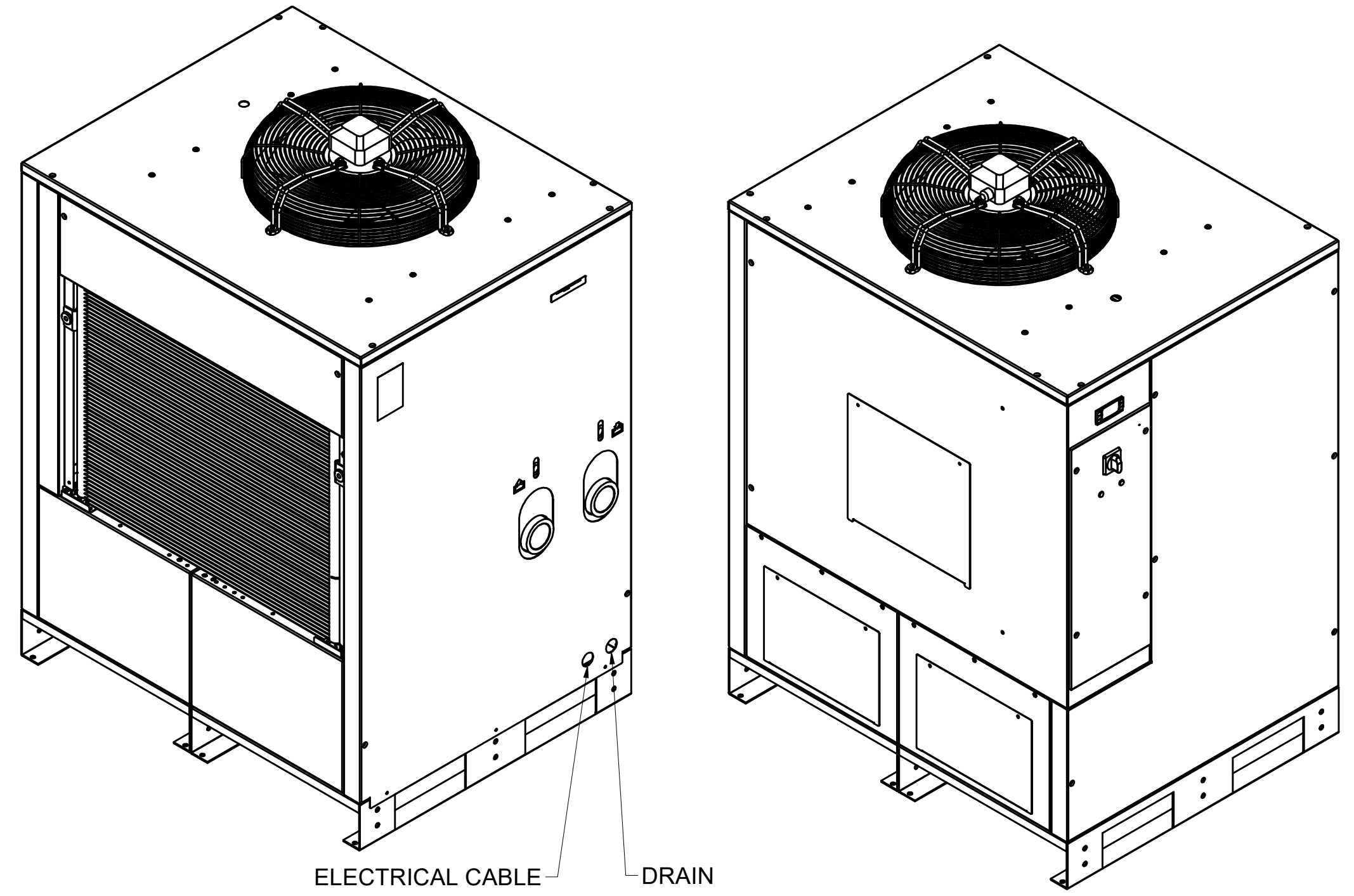
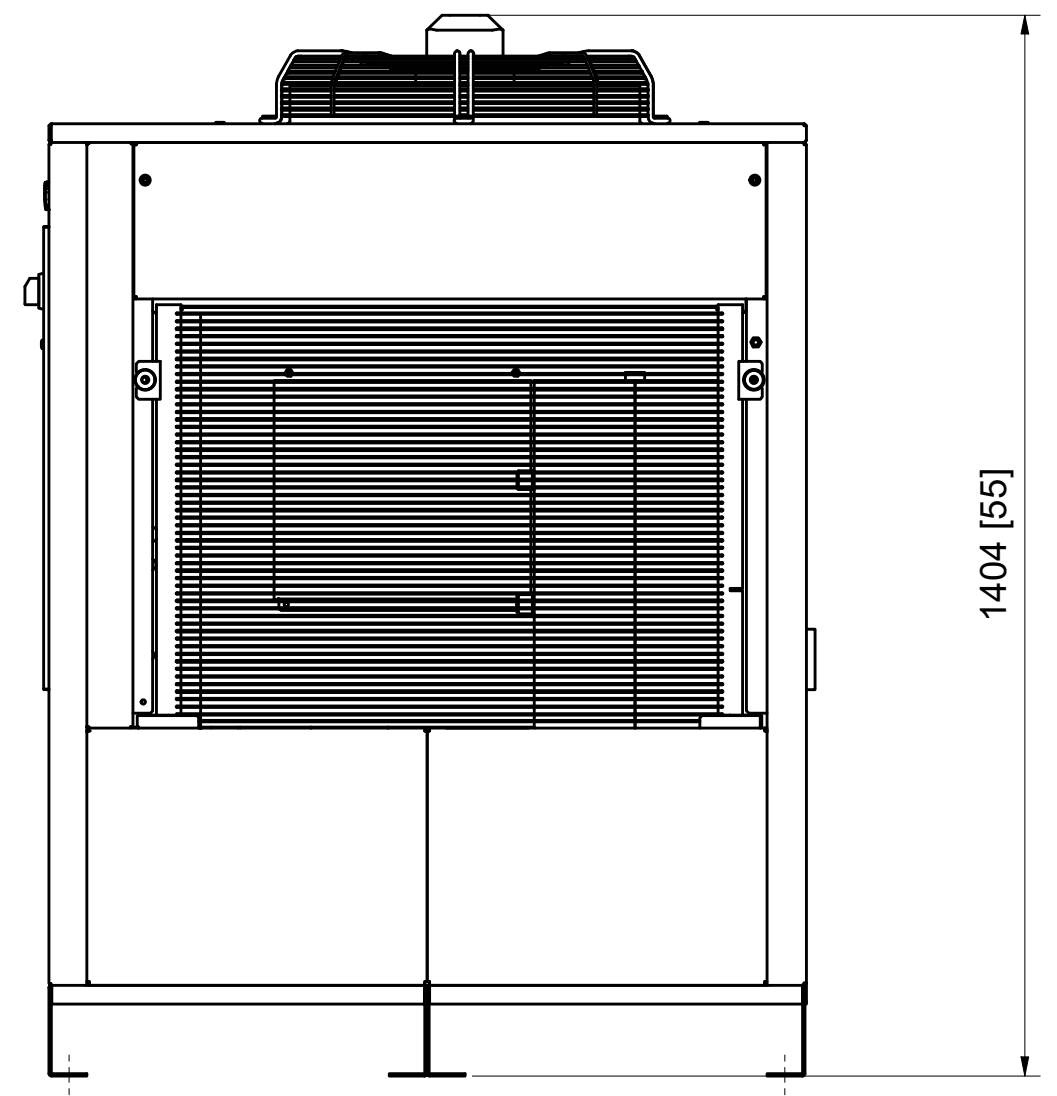
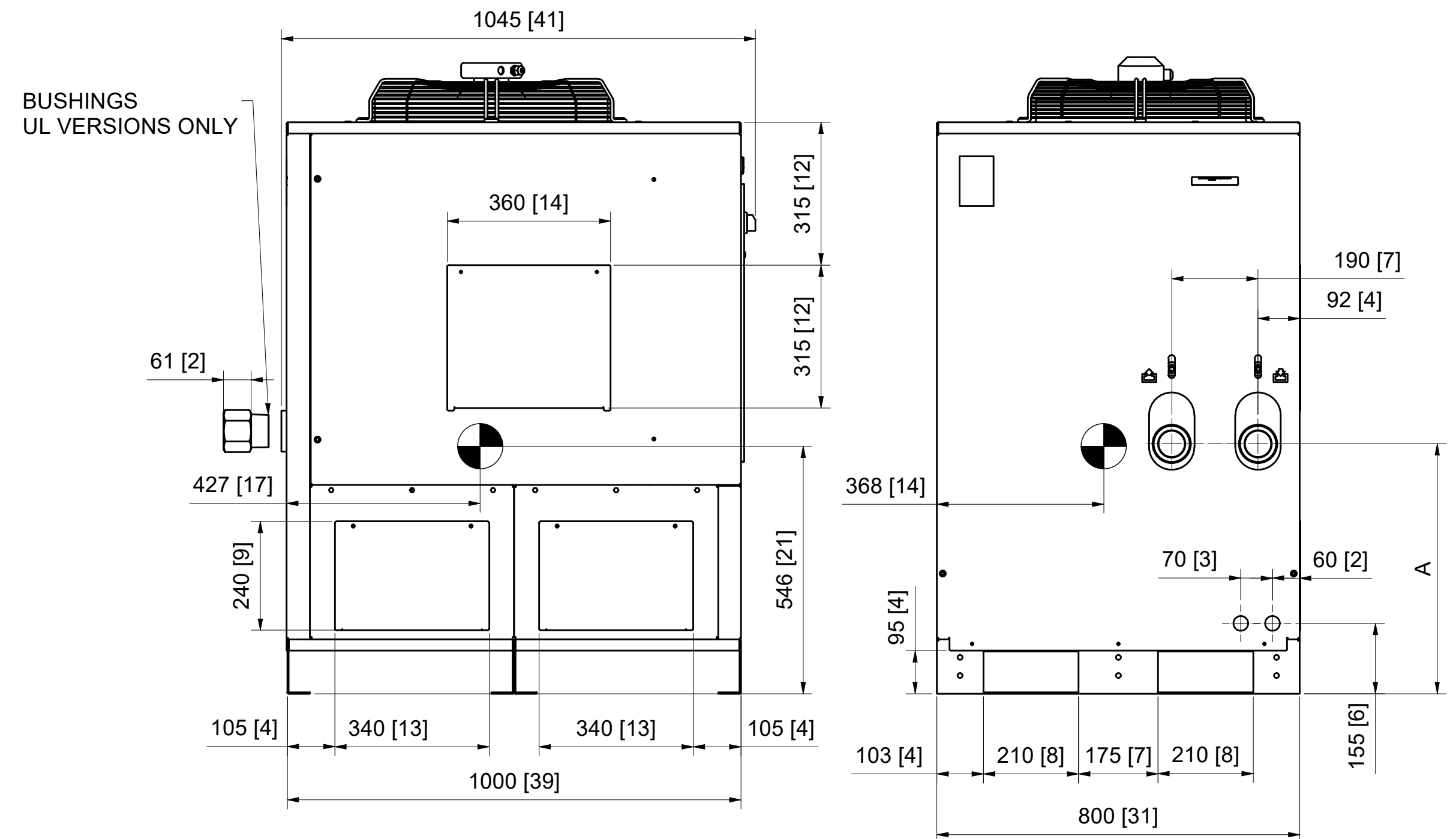


All materials supplied are in compliance with the requirements of the List of Prohibited Substances



Air connections	CE (standard)	UL (bushings)	A
TMC0320-0400N	2"GAS F	2"NPT F	551 [22]
TMC0510N	2 1/2"GAS F	2 1/2"NPT F	579 [22.8]
TMC0635N	2 1/2"GAS F	2 1/2"NPT F	599 [23.6]

ALL DIMENSIONS: mm / inch

Tolerances, if not indicated, according to:			
Name		DIMENS. DRAWING TMC 0320 -N TMC 0635 N	
Material		Internal	
Treatment		Not applicable	
Scale	1:10	Family	T150-300
Drawn by	CAlebettin	Blank nr.	
Drawing format	Blank wt	Kg	Fini wt.
STATUS		See ATR	
Parent 3D model		Ed. Version 3D	
9828084935		Approved Internal	
Des checked.		Prod checked.	
Approved.		Date 3/02/2023	
Confidentiality Class acc. to 1102 K		Internal	
Treatment		INV	
Compare		Replaces	
Drawing Owner		ITJ	
Transferred from		Sheet 1 / 1	
		9828084950	

CONFIDENTIAL: This document is property of nano-purification solutions and shall not without our permission be altered, copied, used for manufacturing or communicated to any other person or company.

00	Position	First release.DN23054168.	18/10/2023	CAIldelorenz
Ed	Position	Modified from	Date	Intr./Appd.