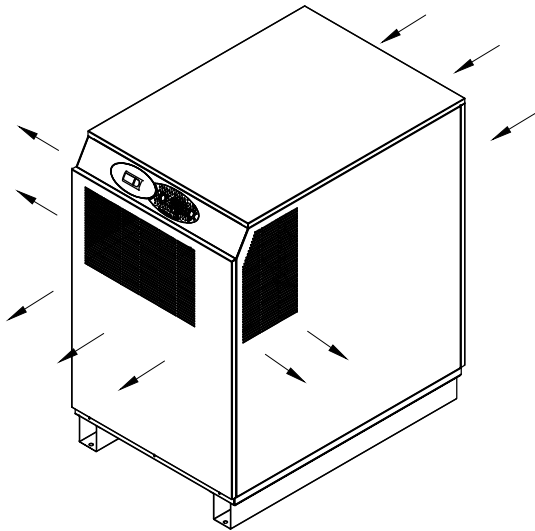


Files : C:\Users\RD2-5-2016\Desktop\MAST00-06 , Dimension Drawing#3\MA01-6-003.dwg

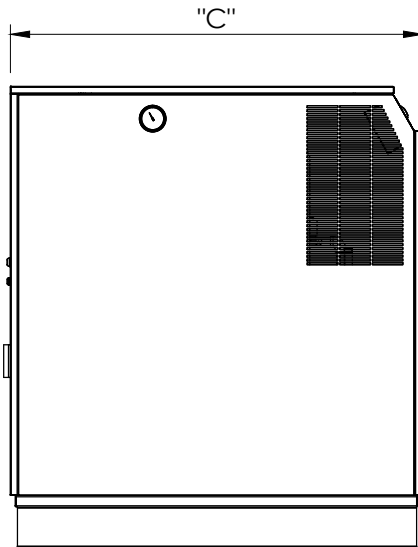
PRIOR

C

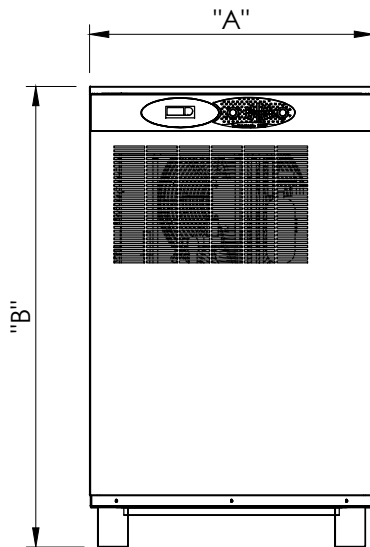


ISOMETRIC VIEW

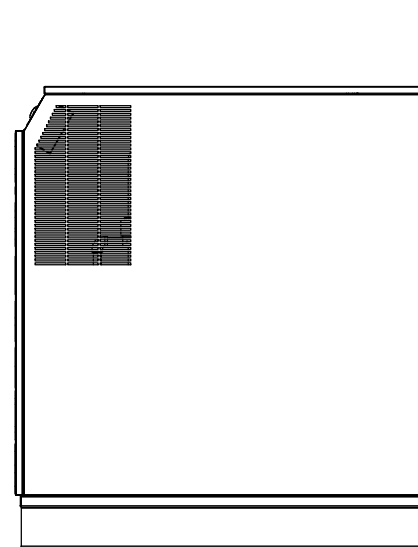
MODEL	"A"		"B"		"C"		"D"		"E"		"F"		"G"	
	mm./	inch	mm./	inch	mm./	inch	mm./	inch	mm./	inch	mm./	inch	mm./	inch
NXC0065-0090-0110	575	22.64	767	30.20	540	21.26	252	9.92	326	12.83	161	6.34	726	28.58
NXC0130-0165	740	29.13	926	36.46	618	24.33	260	10.24	399	15.71	323	12.72	878	34.57
NXC0200-0265-0325-0400	740	29.13	982	38.66	760	29.92	290	11.42	437	17.20	292	11.50	937	36.89



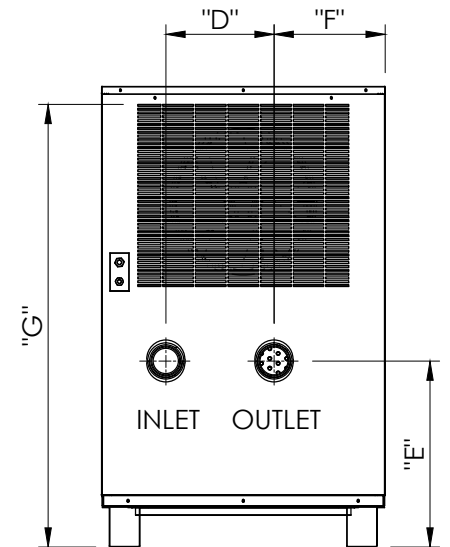
LEFT VIEW



FRONT VIEW



RIGHT VIEW



BACK VIEW

nano
PURIFICATION SOLUTIONS

THIRD-ANGLE PROJECTION



Unit : mm

MAT'L :

PAINTING :

Q'TY :

DATE :

AUG 15, 2016

SCALE :

1:22

TITLE / NAME :

DIMENSIONAL DRAWING NXC 0065 - 0400

DWG No

NXZ0065-6-003

REV. :

-

SHEET :

GEN. TOL. 1) DIM. 0 - 600 ±0.5 4) ANGLE ±1.0
2) DIM. 600 - 1500 ±1.0
3) DIM. 1500 UP ±2.0