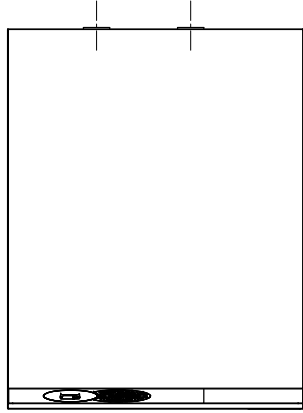
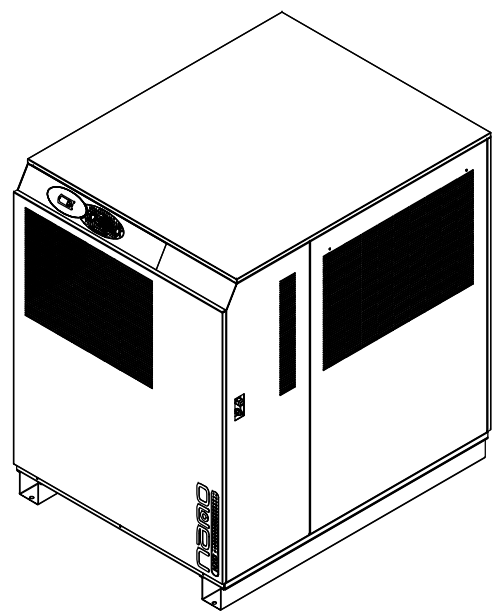


PRIOR  
**C**

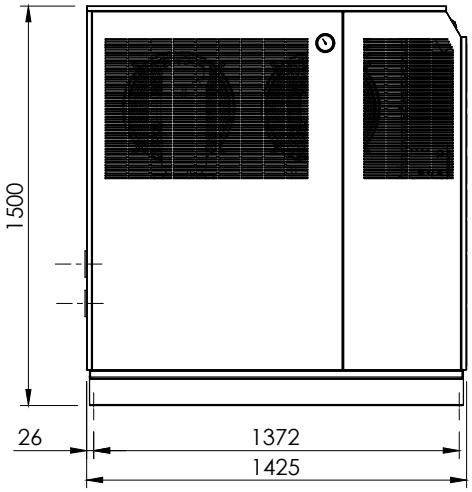
A = AIR INLET PIPE 3"  
B = AIR OUTLET PIPE 3"  
C = CONDENSATE DRAIN  
D = POWER SUPPLY



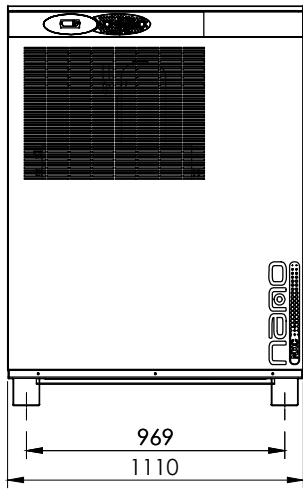
TOP VIEW



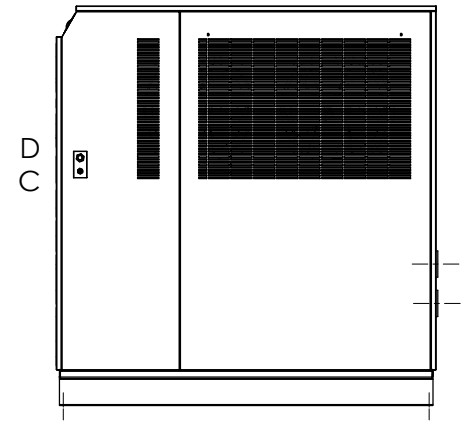
ISOMETRIC VIEW



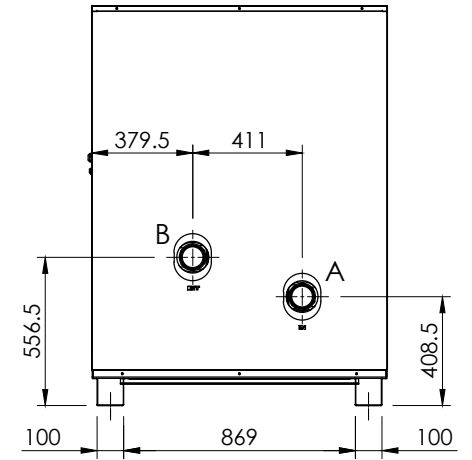
LEFT VIEW



FRONT VIEW



RIGHT VIEW



BACK VIEW

 <b>PURIFICATION SOLUTIONS</b>	THIRD-ANGLE PROJECTION	MAT'L : -	Q'TY : -	
	 Unit : mm	PAINTING : WHITE	DATE : FEB 28, 2018	SCALE : 1:30
TITLE / NAME : DIMENSION DRAWING , NXC1050-1300				
GEN. TOL. 1) DIM. 0 - 600 ±0.5 4) ANGLE ±1.0 2) DIM. 600 - 1500 ±1.0 3) DIM. 1500 UP ±2.0		DWG No. NXC1050-1-001	REV. : 01	SHEET :