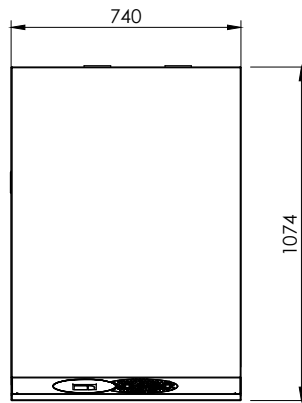
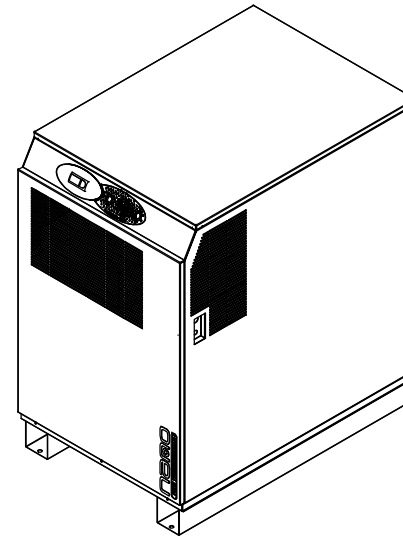


PRIOR
C

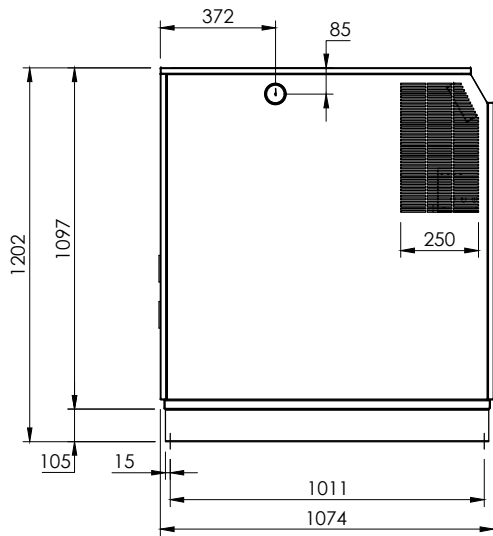
A = AIR INLET PIPE 2 1/2"
B = AIR OUTLET PIPE 2 1/2"
C = CONDENSATE DRAIN
D = POWER SUPPLY



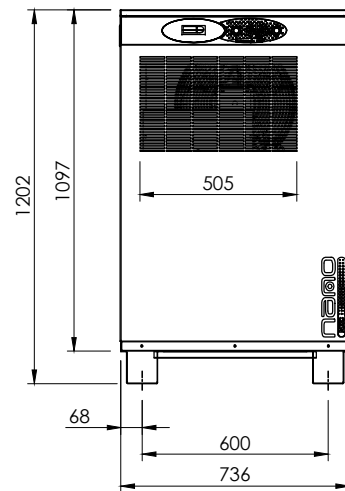
TOP VIEW



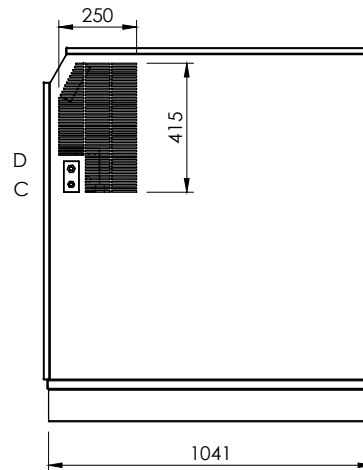
ISOMETRIC VIEW



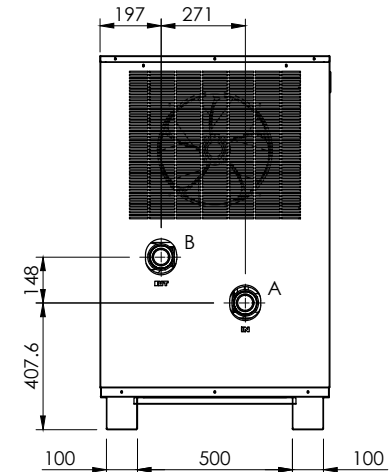
LEFT VIEW



FRONT VIEW



RIGHT VIEW



BACK VIEW

	THIRD-ANGLE PROJECTION	MAT'L :	Q'TY :		
		PAINTING : WHITE	DATE : FEB 28 , 2018	SCALE : 1:22	
TITLE / NAME : DRAWING DIMENSION , NXC0500					
GEN. TOL. 1) DIM. 0 - 600 ±0.5 4) ANGLE ±1.0 2) DIM. 600 - 1500 ±1.0 3) DIM. 1500 UP ±2.0		DWG.No. NXC0500-1-001	REV. : 02	SHEET :	