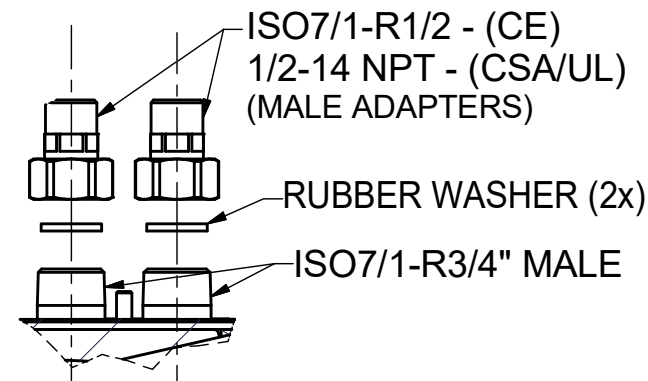
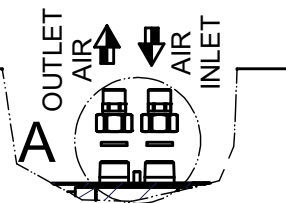
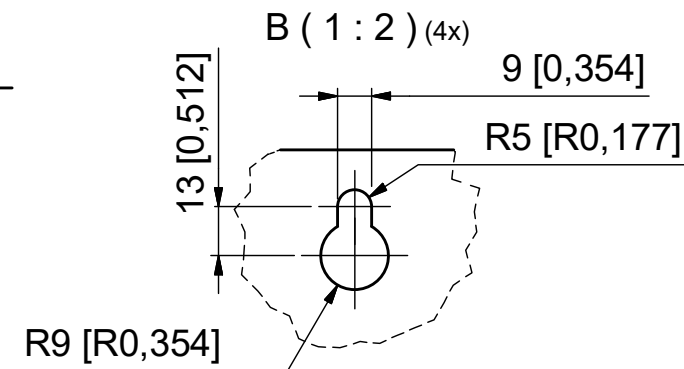
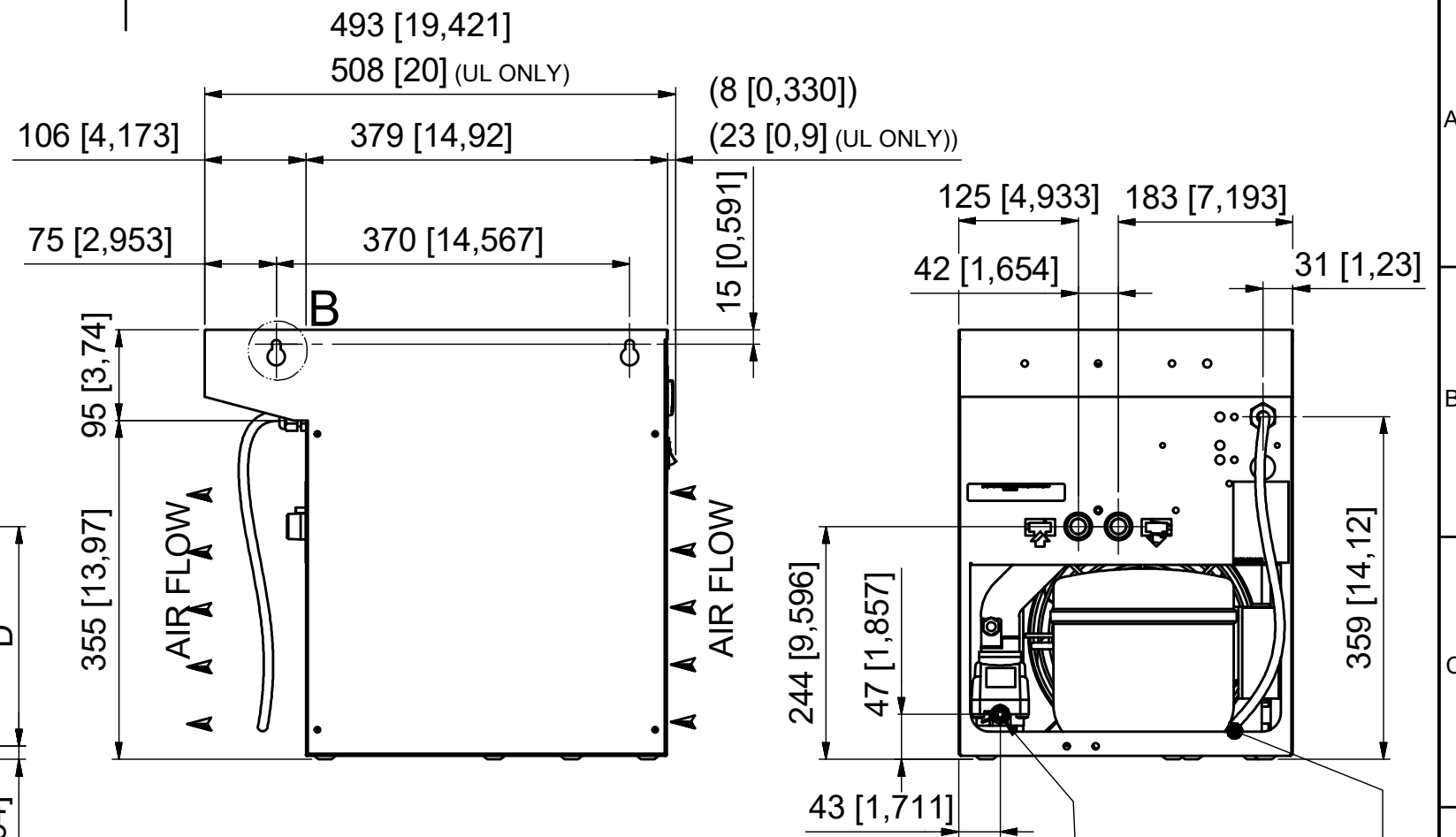
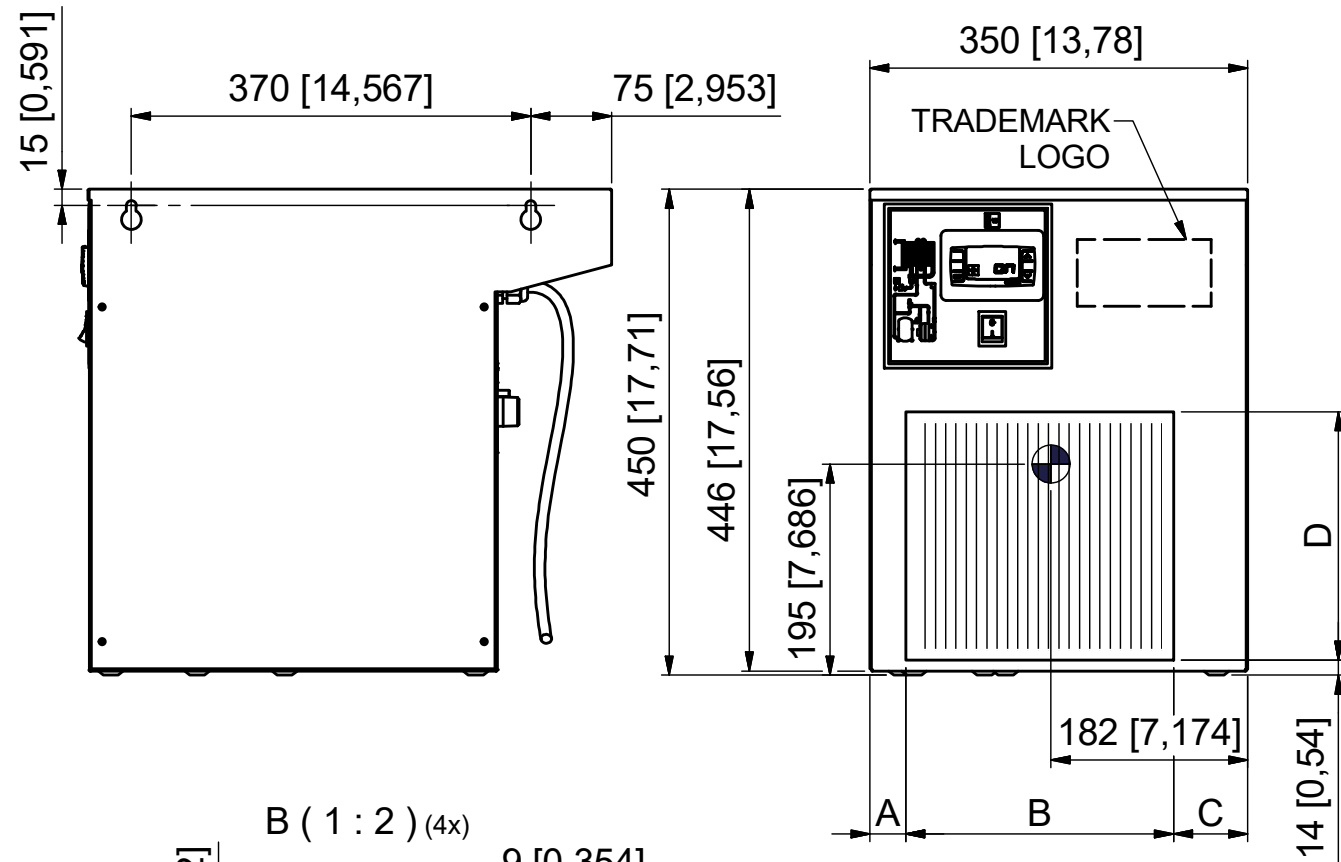
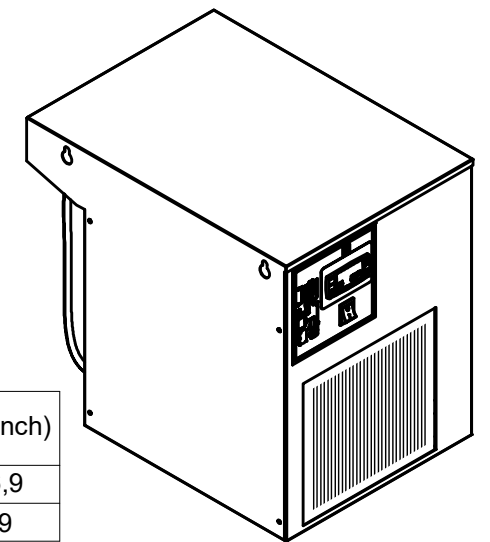


All materials supplied are in compliance with the requirements of the List of Prohibited Substances



CONDENSATE DRAIN OUTLET PIPE Ø int. 10mm / 0,39 inch
ELECTRICAL CABLE OUTLET



05

DRYER VERSION	A (mm / inch)	B (mm / inch)	C (mm / inch)	D (mm / inch)
A/E 0-2 + B/BE0/1-1/2 MODEL	81 / 3,2	188 / 7,4	81 / 3,2	175 / 6,9
A/E 3-4 + B/BE 2/3-4 + H1 MODEL	34 / 1,3	248 / 9,7	68 / 2,7	230 / 9

Tolerances, if not indicated, according to:

Name	DIMENS. DRAWING		A/E0-4, B/BE0/1-4, H1 MB		Confidentiality Class acc. to 1102 K
Material	Not applicable				Confidential
Treatment	Not Applicable				INV
Scale	1:5	Family	DRYERS A/E0-4 MB	Compare	Drawing Owner CAI
Drawn by	sgraser	Blank nr.		Replaces	
Drawing format	Blank wt	0 Kg	Fin. wt.	N/A	Transferred from
STATUS	A3	Des checked.	Prod checked.	Approved.	Date 14/04/2005
					Sheet 1 / 1
					2202754800

CONFIDENTIAL:

This document is property of Atlas Copco AB and shall not without our permission be altered, copied, used for manufacturing or communicated to any other person or company.

05	Added E versions. CID.27573, DN20054129.	22-06-20	asavio	2202754800	04.00
Ed	Position	Modified from	Date	Intr./Appd.	Parent 3D model
					Ed . Version 3D
					Approved

ALL DIMENSIONS: mm [inch]