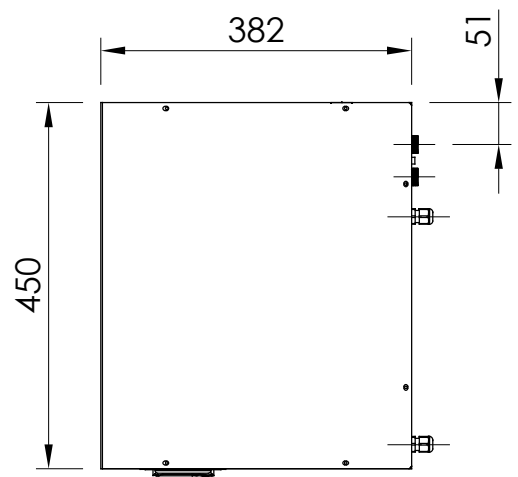
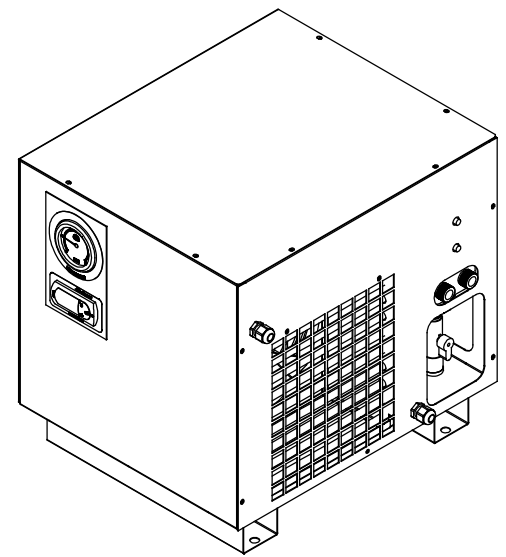


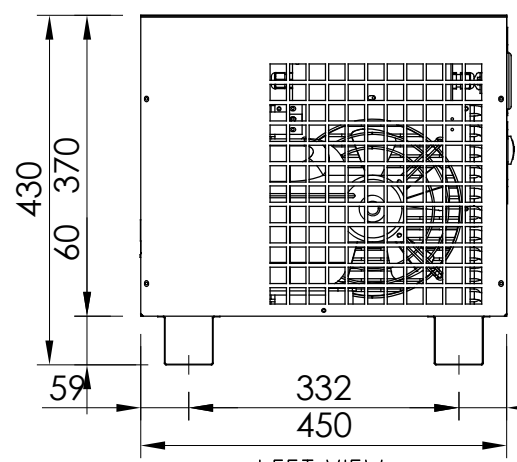
A = AIR INLET PIPE 1/2"
 B = AIR OUTLET PIPE 1/2"
 C = CONDENSATE DRAIN
 D = POWER SUPPLY



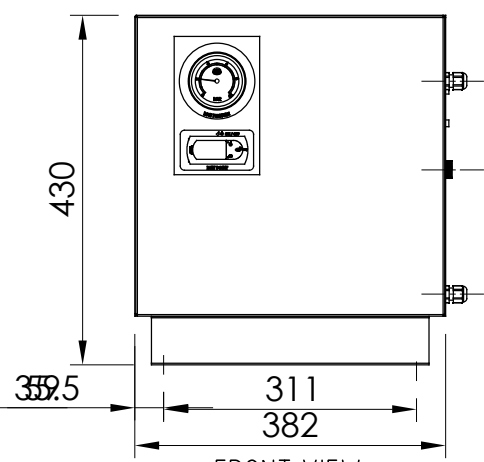
TOP VIEW



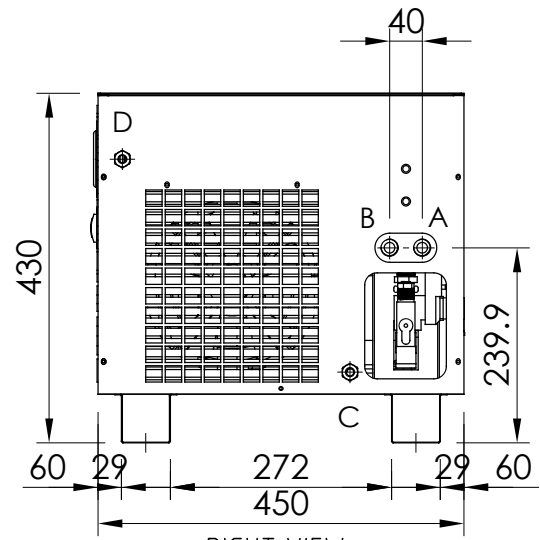
ISOMETRIC VIEW



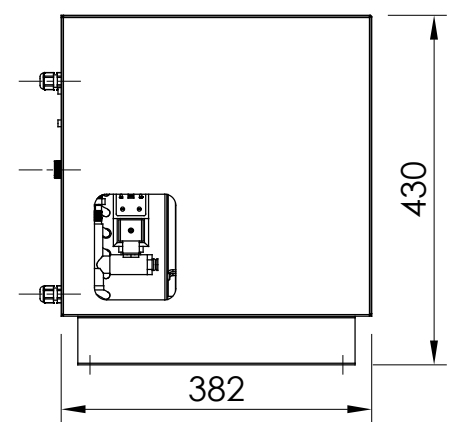
LEFT VIEW



FRONT VIEW



RIGHT VIEW



BACK VIEW



THIRD-ANGLE PROJECTION	MAT'L: -	QTY: -
	PAINTING: BLUE	DATE: JUNE 1, 2016
Unit: mm	SCALE: 1:10	
TITLE / NAME: DIMENSIONAL DRAWING RNC 0010 - 0025		
GEN. TOL. 1) DIM. 0 - 600 ±0.5 2) DIM. 600 - 1500 ±1.0 3) DIM. 1500 UP ±2.0 4) ANGLE ±1.0	DWG.No. NDX0015-0045-RNC	REV.: SHEET:

Drawing NDXHR3-1-001.DWG