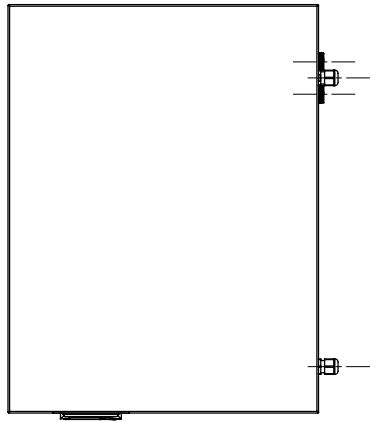
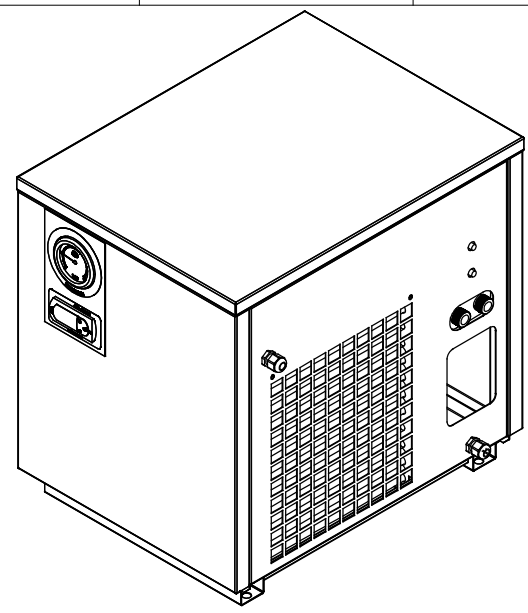


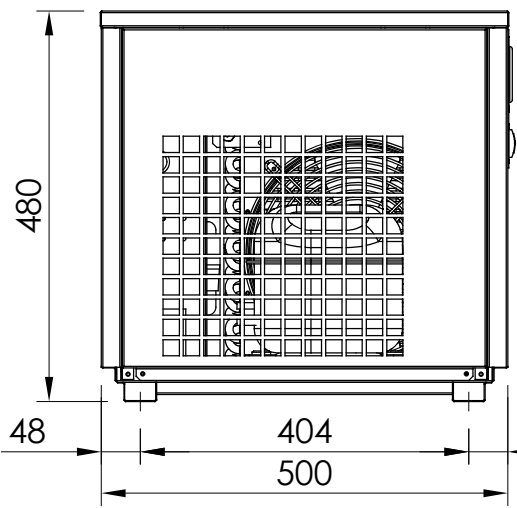
A = AIR INLET PIPE 3/4"
 B = AIR OUTLET PIPE 3/4"
 C = CONDENSATE DRAIN
 D = POWER SUPPLY



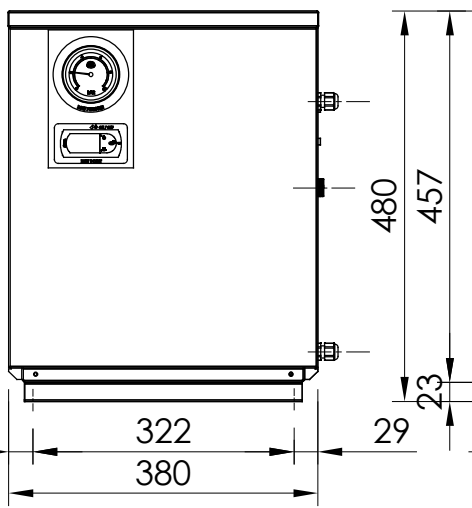
TOP VIEW



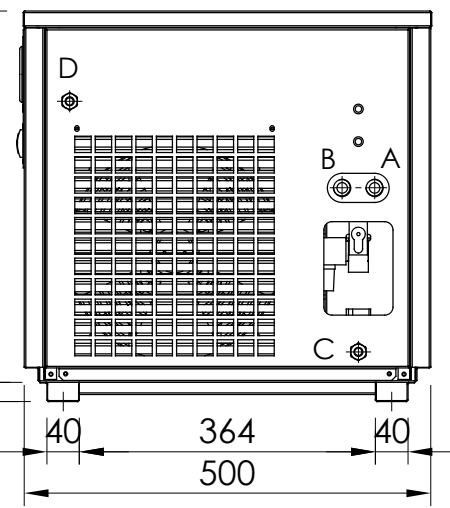
ISOMETRIC VIEW



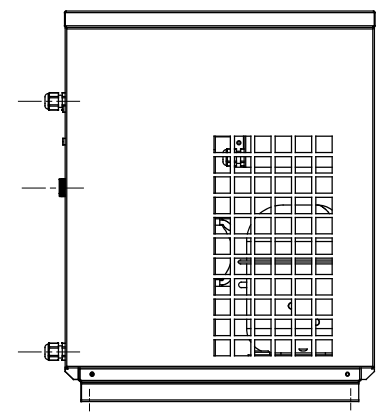
LEFT VIEW



FRONT VIEW



RIGHT VIEW



BACK VIEW



THIRD-ANGLE PROJECTION	MAT'L : -	QTY : -	
	PAINTING : BLUE	DATE : OCT 1, 2015	SCALE : 1:10
TITLE / NAME : DIMENSIONAL DRAWING RNC 0045			
GEN. TOL. 1) DIM. 0 - 600 ±0.5 4) ANGLE ±1.0 2) DIM. 600 - 1500 ±1.0 3) DIM. 1500 UP ±2.0	DWG.No. NDX 0055 - 0085 -RNC	REV. :	SHEET :

Drawing: NDX0055-1-001.dwg