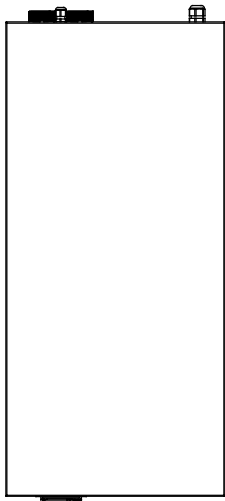
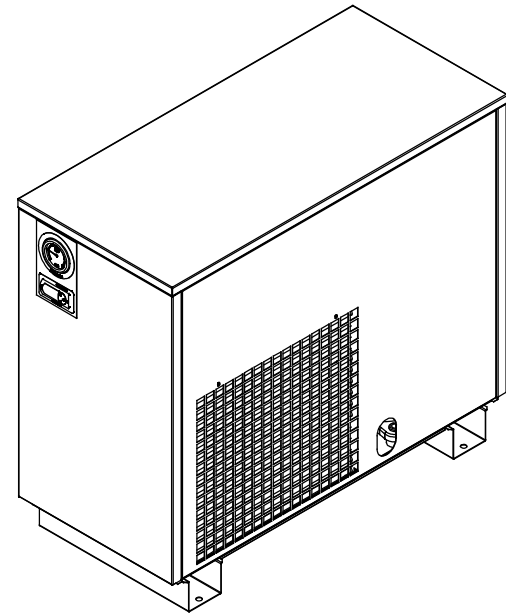


A = AIR INLET PIPE 1_1/2"
 B = AIR OUTLET PIPE 1_1/2"
 C = CONDENSATE DRAIN
 D = POWER SUPPLY

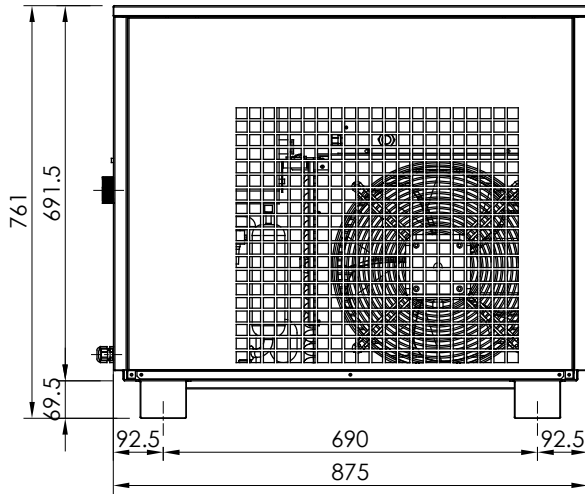
PRIOR
C



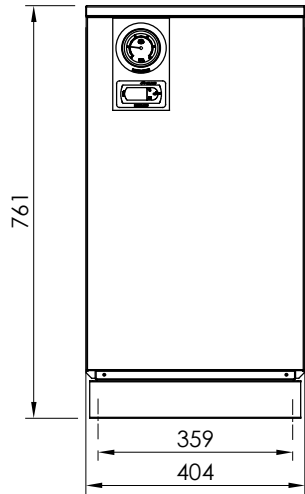
TOP VIEW



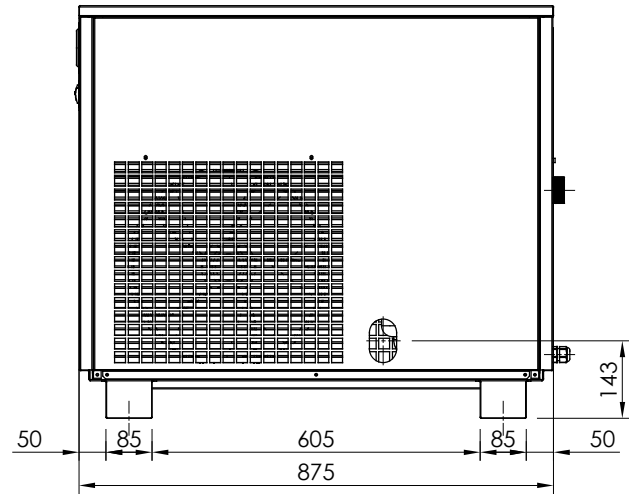
ISOMETRIC VIEW



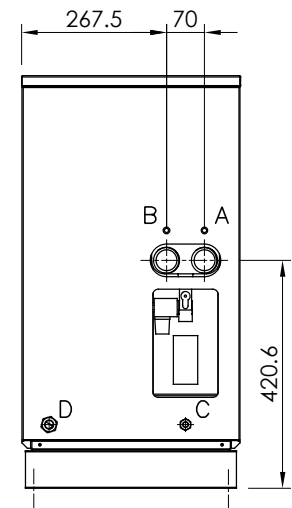
LEFT VIEW



FRONT VIEW



RIGHT VIEW



BACK VIEW

nano
 PURIFICATION SOLUTIONS

GEN. TOL. 1) DIM. 0 - 600 ±0.5 4) ANGLE ±1.0
 2) DIM. 600 - 1500 ±1.0
 3) DIM. 1500 UP ±2.0

THIRD-ANGLE PROJECTION	MAT'L : -	QTY : -
	PAINTING : BLUE	DATE : OCT 6, 2015
Unit : mm	SCALE : 1:15	
TITLE / NAME : DIMENSIONAL DRAWING RNC 0110		
DWG.No. NDX 0215 - 0250-RNC	REV. :	SHEET :

Drawing: NDXR50-1-001.dwg