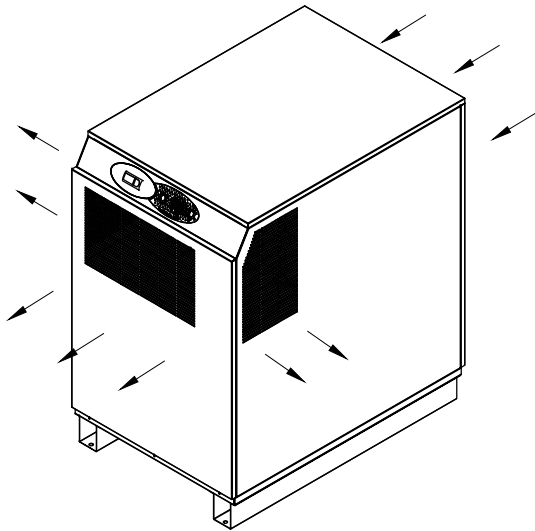


Files : C:\Users\RD2-5-2016\Desktop\MAST00-06 , Dimension Drawing#3\MA01-6-003.dwg

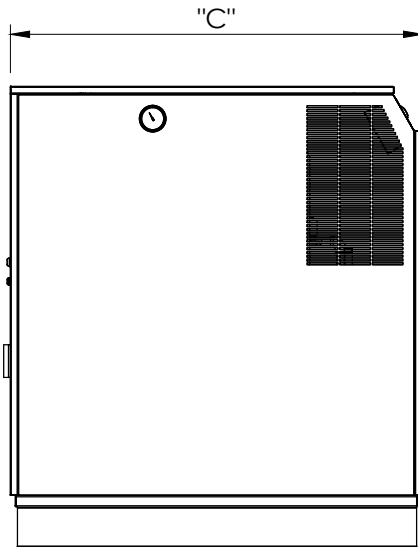
PRIOR

C

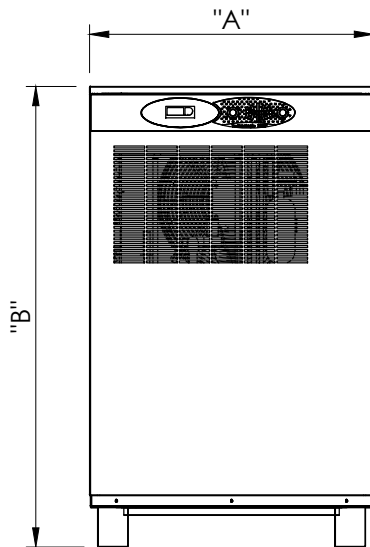


ISOMETRIC VIEW

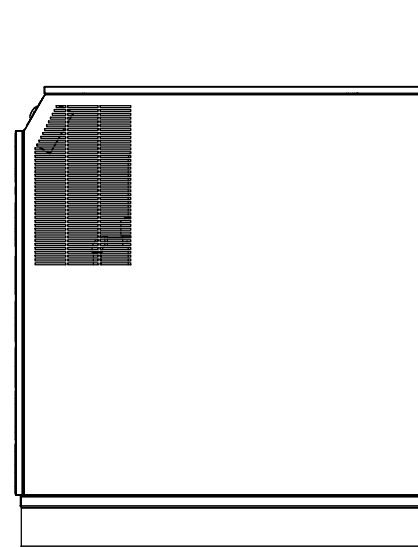
MODEL	"A"		"B"		"C"		"D"		"E"		"F"		"G"	
	mm./	inch	mm./	inch	mm./	inch	mm./	inch	mm./	inch	mm./	inch	mm./	inch
RTC 0035 - 0050	575	22.64	767	30.20	540	21.26	252	9.92	326	12.83	161	6.34	726	28.58
RTC 0075	740	29.13	926	36.46	618	24.33	260	10.24	399	15.71	323	12.72	878	34.57
RTC 0125	740	29.13	982	38.66	760	29.92	290	11.42	437	17.20	292	11.50	937	36.89



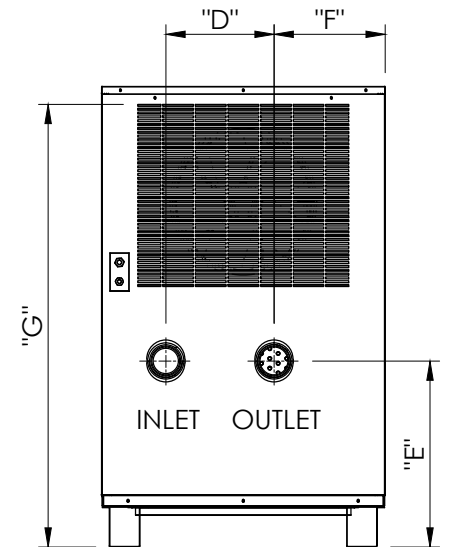
LEFT VIEW



FRONT VIEW



RIGHT VIEW



BACK VIEW

	THIRD-ANGLE PROJECTION	MAT'L :	Q'TY :
		PAINTING :	DATE : AUG 15, 2016
TITLE / NAME : DIMENSIONAL DRAWING RTC 0035 - 0125		SCALE : 1:22	
GEN. TOL. 1) DIM. 0 - 600 ±0.5 4) ANGLE ±1.0 2) DIM. 600 - 1500 ±1.0 3) DIM. 1500 UP ±2.0	DWG No NXZ0065-6-003-RTC	REV. : -	SHEET :