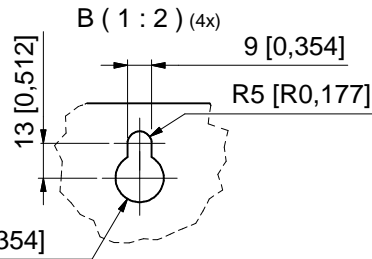
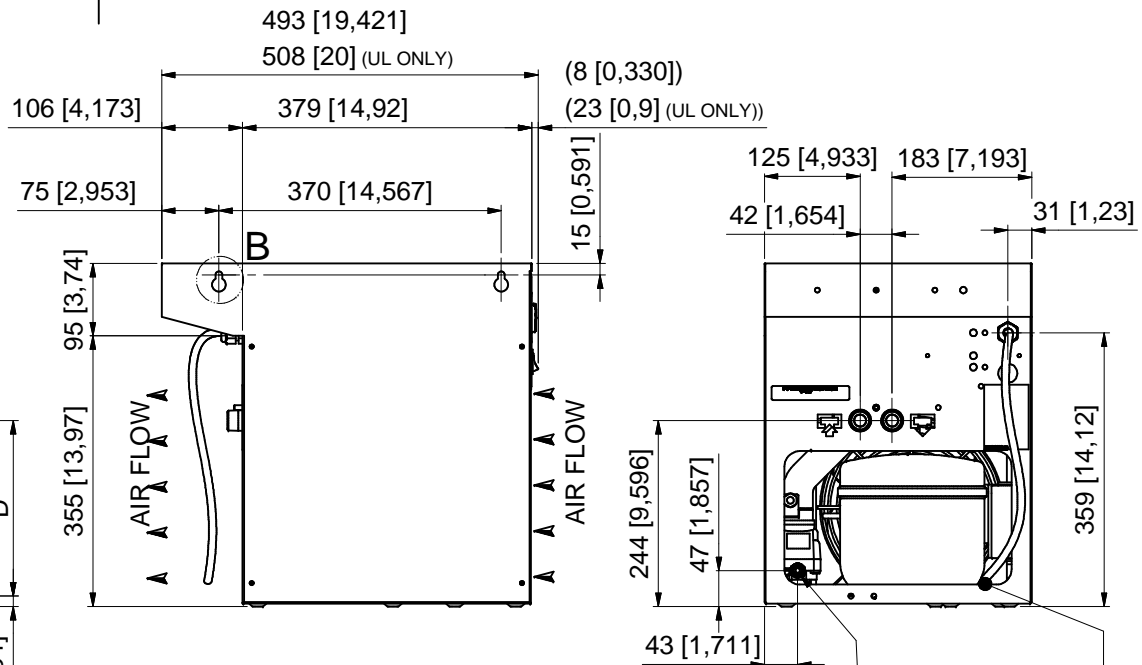
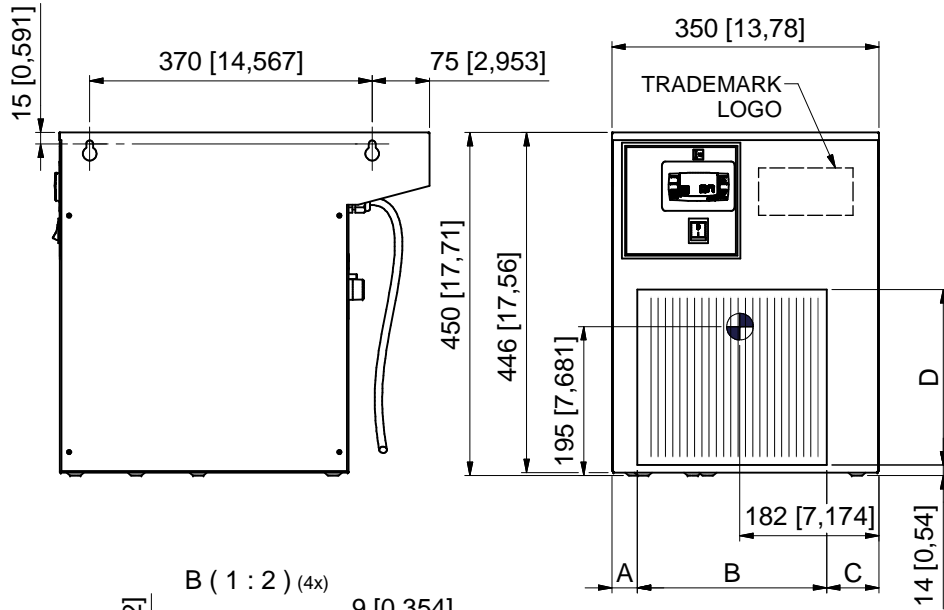
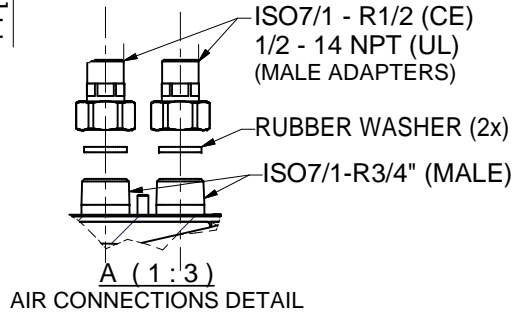
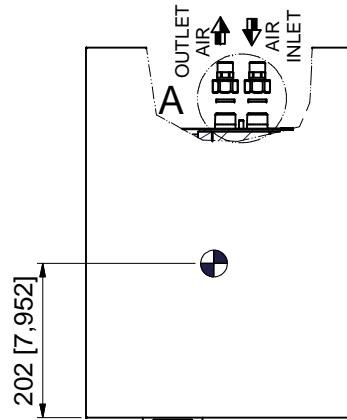


All materials supplied are in compliance with the requirements of the List of Prohibited Substances



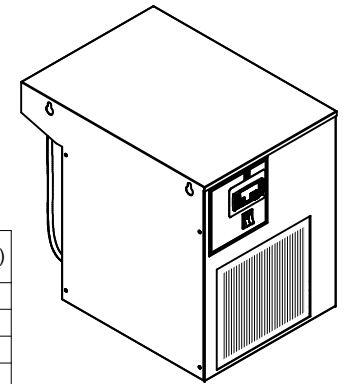
R9 [R0,354]

● CENTER OF GRAVITY



CONDENSATE DRAIN OUTLET  
PIPE Ø int.10mm / 0,39 inch  
ELECTRICAL CABLE OUTLET

DRYER VERSION	A (mm / inch)	B (mm / inch)	C (mm / inch)	D (mm / inch)
DXR0022E(E0)-DXR0050E(E2)	81 / 3,2	188 / 7,4	81 / 3,2	175 / 6,9
DXR0010N(E0)-DXR0020N(E2)	81 / 3,2	188 / 7,4	81 / 3,2	175 / 6,9
DXR0072E(E3)-DXR0108E(E4)	34 / 1,3	248 / 9,7	68 / 2,7	230 / 9
DXR0030N(E3)-HTR0025(H1)	34 / 1,3	248 / 9,7	68 / 2,7	230 / 9



ALL DIMENSIONS: mm [inch]

Tolerances, if not indicated, according to:									
Name	DIMENS. DRAWING			E0-4, H1 NP		Confidentiality Class acc. to 1102 K		Internal	
Material	Not applicable							INV	
Treatment	Not Applicable							INV	
Scale	1:5	Family	DRYERS E0-4 NP	Compare		Drawing Owner	Transferred from		
Drawn by	CAlebettin	Blank nr.		Replaces		CAI			
Drawing format	Blank wt.	0 Kg	Fini wt.	N/A	Designation	Sheet		1 / 1	
Des checked.	Prod checked.	Approved.	Date	03/02/2022	9828084707				
Approved Internal									

CONFIDENTIAL:

This documents our property and shall not without our permission be altered, copied, used for manufacturing or communicated to any other person or company.

00	First release. CID.28141, DN22054103.	03-02-22	CAlebettin	9828084707	04.00
Ed	Position	Date	Intr./Appd.	Parent 3D model	Ed . Version 3D
	Modified from				