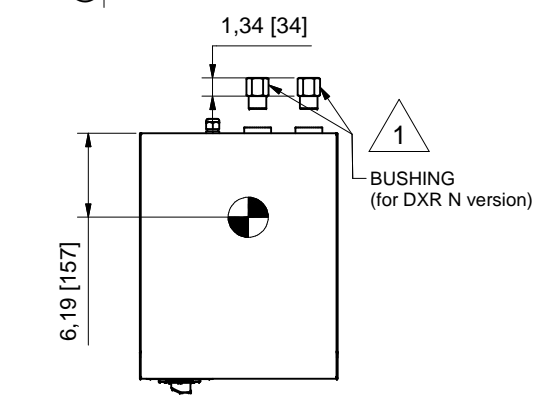
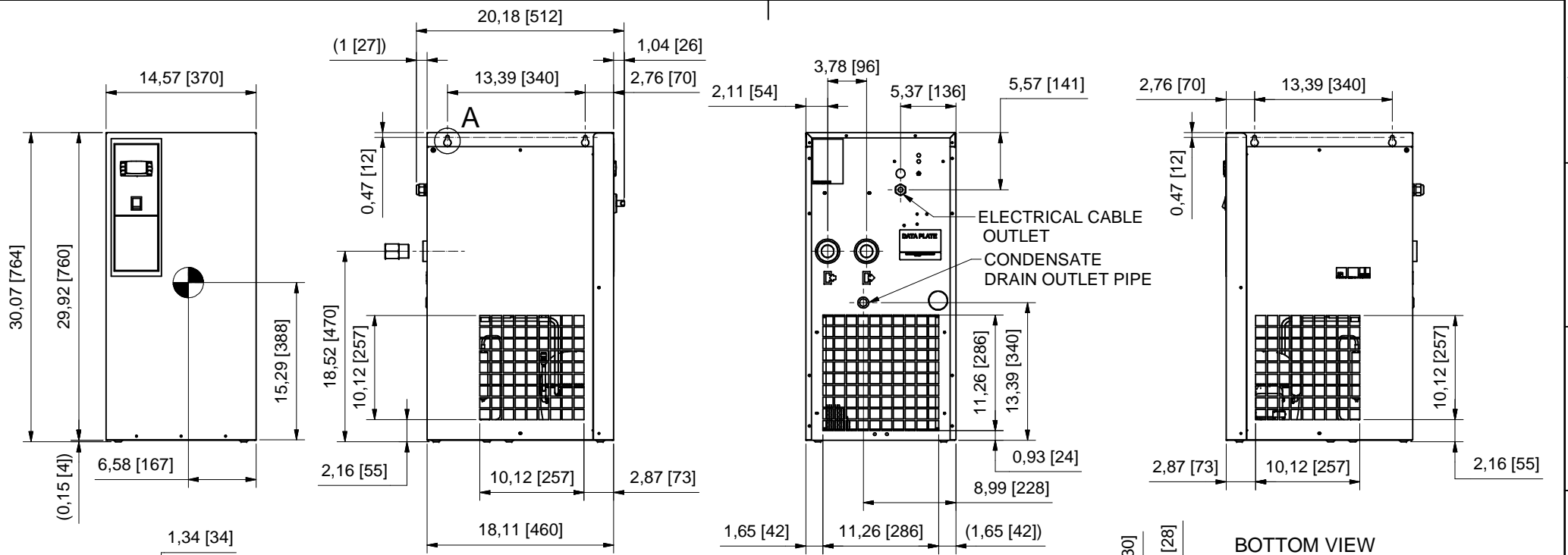
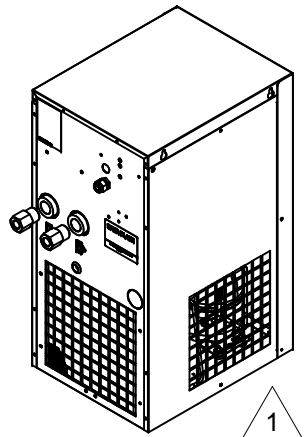


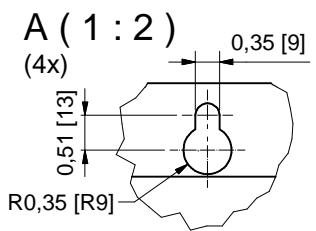
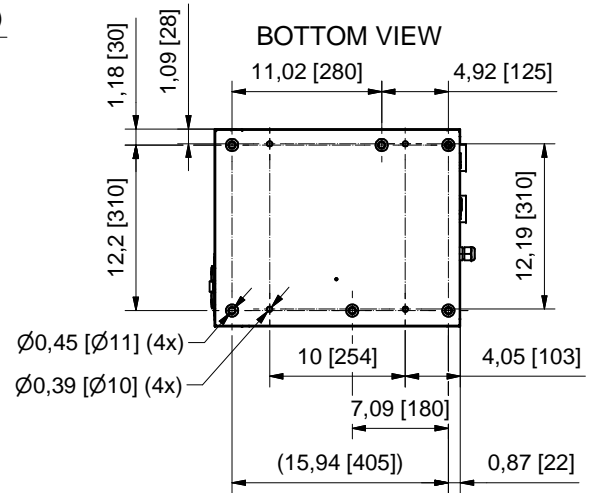
All materials supplied are in compliance with the requirements of the List of Prohibited Substances



1
BUSHING
(for DXR N version)



DRYER VERSION	AIR IN/OUTLET
DXR0140E(E5)	1" GAS
DXR0180E(E6)	1" GAS
DXR0050N(E6)	1/2" NPT (BUSHING)
DXR0065N(E6)	3/4" NPT (BUSHING)



☉ CENTRE OF GRAVITY

ALL DIMENSIONS: inch [mm]

Tolerances, if not indicated, according to:									
Name	DIMENS. DRAWING		DIM.DRAWING E5-6 NP		Confidentiality Class acc. to 1102 K		Internal		
Material	Not Applicable								
Treatment	Not Applicable								
Scale	1 : 12	Family	E5-6		Compare				
Drawn by	CAlebbettin	Blank nr.			Replaces				
Drawing format	Blank wt.	Kg	Fini wt.		see ATR	Designation	Sheet 1 / 1		
Des checked.	A3	Prod checked.	Approved.	Date	10/11/2021	9828084635			
Approved Internal									

CONFIDENTIAL: This document is the property of and shall not without our permission be altered, copied, used for manufacturing or communicated to any other person or company.

01	Updating models and connections.CID28141_DN22054103.	03-02-22	CAlebbettin	9828084635	
Ed	Position	Date	Intr./Appd.	Parent 3D model	Ed . Version 3D