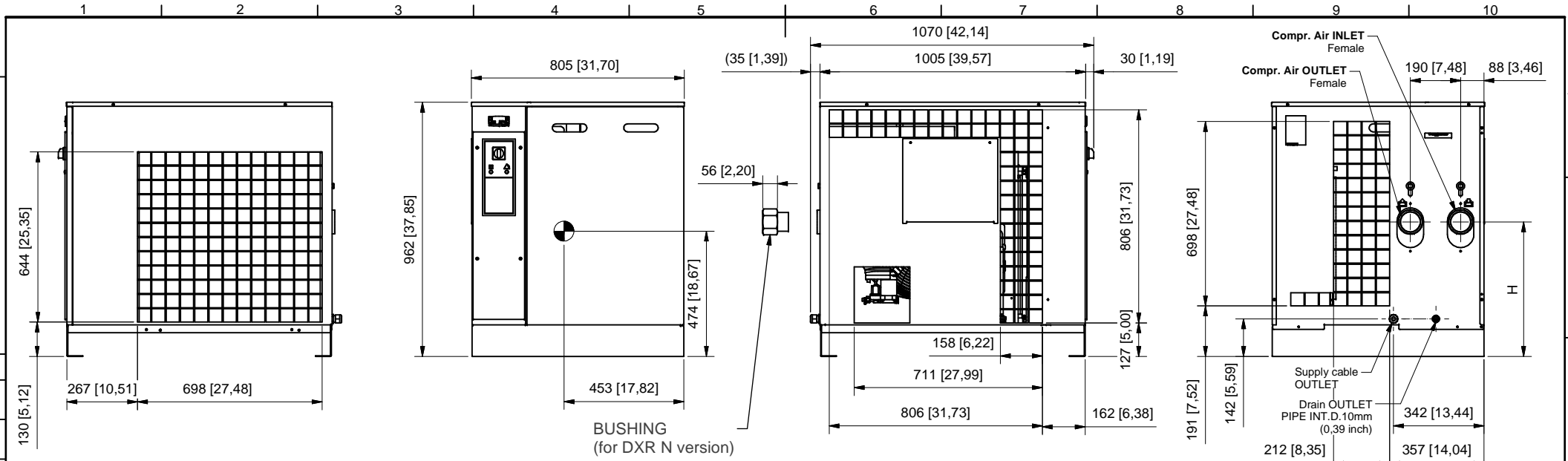


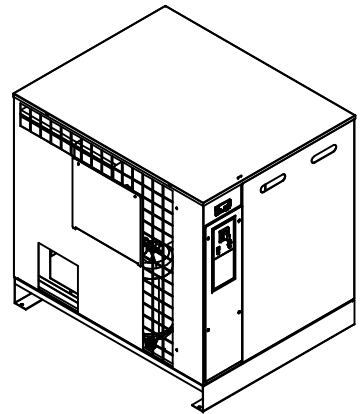
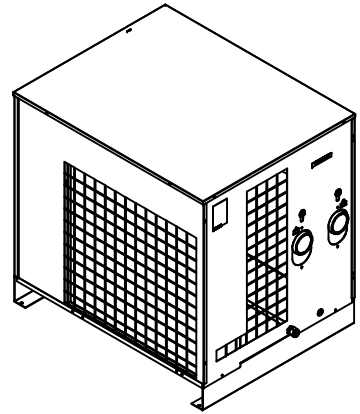
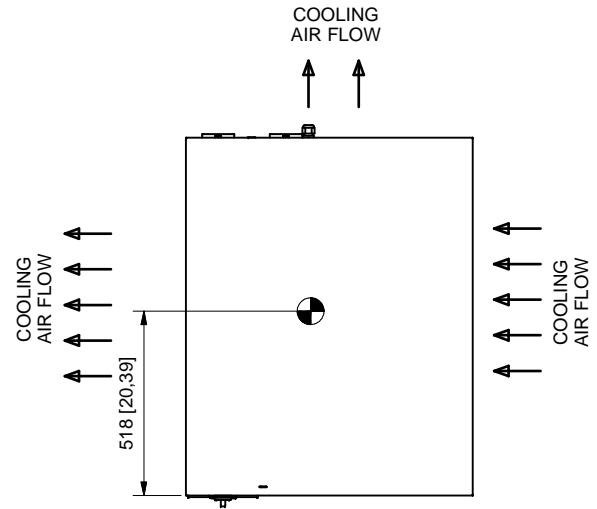
CONFIDENTIAL

This document is our property and shall not without our permission be altered, copied, used for manufacturing or communicated to any other person or company.

All materials supplied are in compliance with the requirements of the List of Prohibited Substances



BUSHING
(for DXR N version)



DRYER VERSION	AIR IN/OUTLET	H
DXR0601E(E11)	2" GAS	461
DXR0720E(E12)	2" GAS	461
DXR0900E(E13)	2 1/2" GAS	489
DXR1080E(E14)	2 1/2" GAS	509
DXR0325N(E11)	2" NPT (BUSHING)	461
DXR0400N(E12)	2" NPT (BUSHING)	461
DXR0500N(E13)	2 1/2" NPT (BUSHING)	489
DXR0600N(E14)	2 1/2" NPT (BUSHING)	509

Center of gravity
ALL DIMENSIONS: mm [inch]

Tolerances, if not indicated, according to:					
Name		DIMENS. DRAWING DIM. DRAWING E11-14 NP		Confidentiality Class acc. to 1102 K	
Material		Not applicable		Internal	
Treatment		Not Applicable		INV	
Scale		1 : 20	Family	DRYERS	Compare
Drawn by		CAlebbtin	Blank nr.		9828084709
Drawing format		A3	Blank wt.	0 Kg	Fin. wt.
Des checked.			Prod checked.		Approved.
STATUS		Approved Internal		Date 04-02-22	
Ed		Position		Designation	
00		First release. CID.28141, DN22054103.		9828084709	
Ed		Modified from		Sheet 1 / 1	