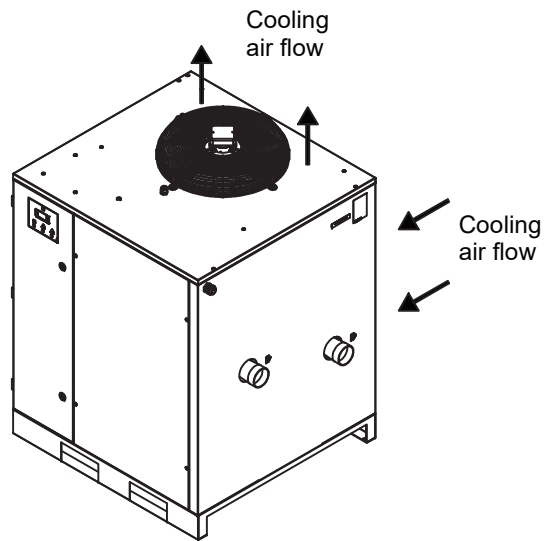
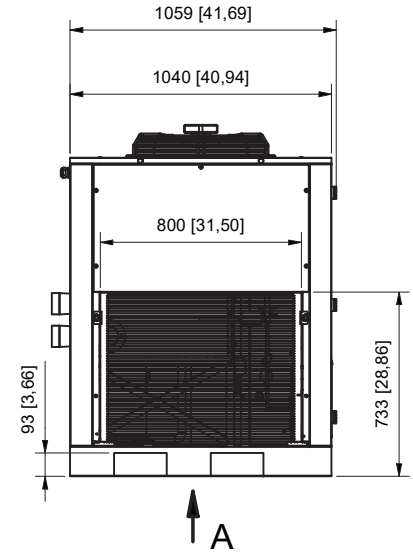
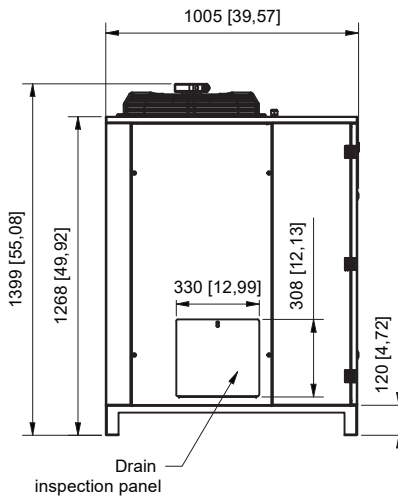
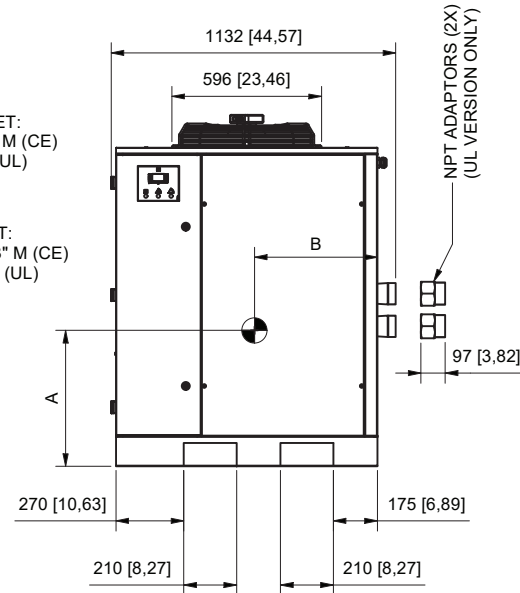
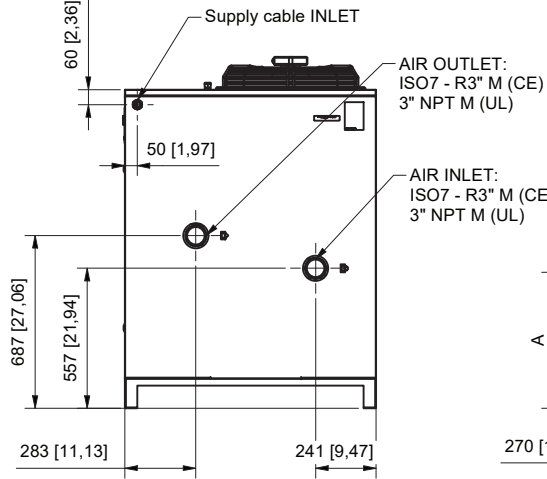
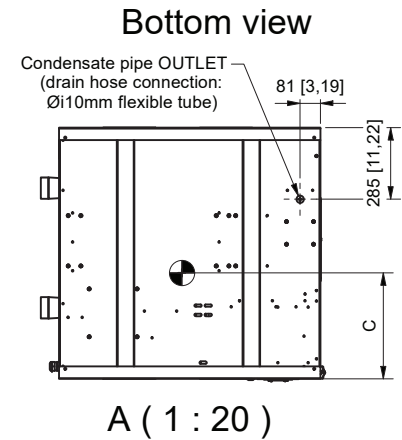


All materials supplied are in compliance with the requirements of the List of Prohibited Substances



Weights & quotes (mm [inch]) - approx.						
Dryer	Variant	A	B	C	Weight	
E15	400V / 460V / 380V	541 [21,30]	489 [19,25]	422 [16,61]	230 kg / 507 lb	
E15	575V	524 [20,63]	506 [19,92]	411 [16,18]	240 kg / 529 lb	



Centre of gravity
 All dimensions: mm [inch]

Tolerances, if not indicated, according to:						
Name DIM. DRWG E15 - DXR0850N					Confidentiality Class acc. to 1102 K	
Material Not Applicable					Internal	
Treatment Not Applicable					INV	
Scale 1 : 20		Family		Compare		
Drawn by caisbon		Blank nr.		Replaces		
Drawing format Blank wt			Fini wt.		See Drawing	
STATUS A3		Kg		Date 25/07/2022		
Des checked.		Prod checked.		Approved.		
Approved Internal					Designation 9828084802	
					Drawing Owner ITJ	
					Transferred from	
					Sheet 1 / 1	

CONFIDENTIAL: This document is our property and shall not without our permission be altered, copied, used for manufacturing or communicated to any other person or company.

00	First release. CID28382. DN22054160	10-25-2022	caisbon	9828084802	
Ed	Modified from	Date	Intr./Appd.	Parent 3D model	Ed . Version 3D