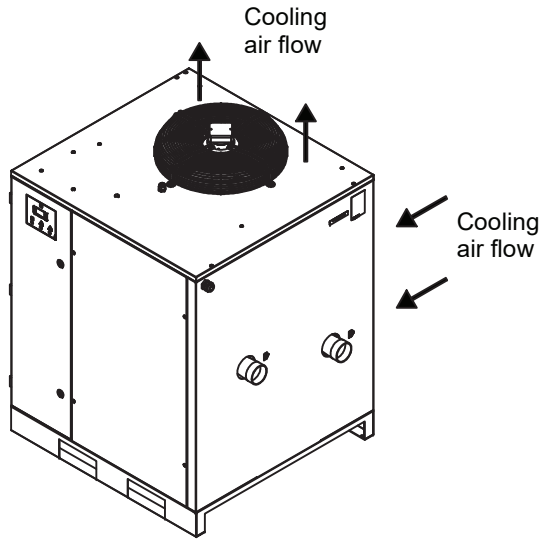
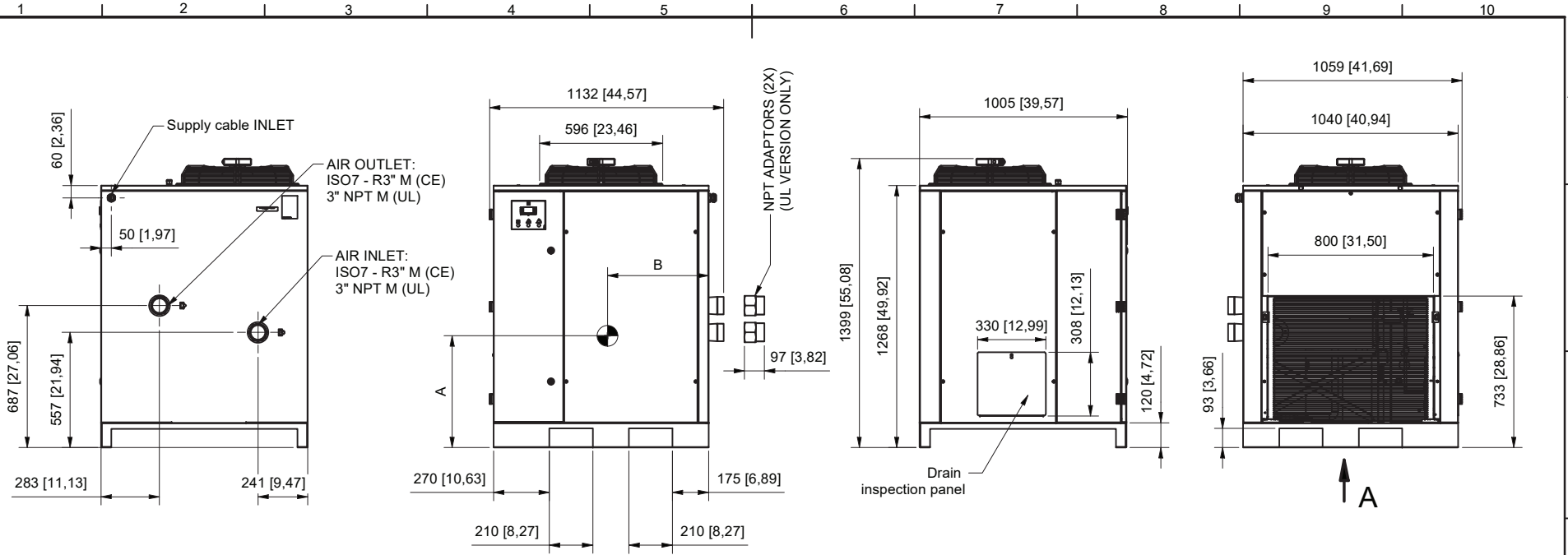
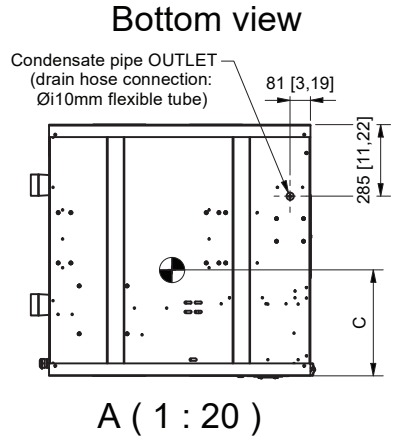


All materials supplied are in compliance with the requirements of the List of Prohibited Substances



Weights & quotes (mm [inch]) - approx.						
Dryer	Variant	A	B	C	Weight	
DXR0850N	400V / 460V / 380V	541 [21,30]	489 [19,25]	422 [16,61]	230 kg / 507 lb	
DXR0850N	575V	524 [20,63]	506 [19,92]	411 [16,18]	240 kg / 529 lb	



Centre of gravity  
All dimensions: mm [inch]

Tolerances, if not indicated, according to:							
Name <b>DIM. DRWG E15 - DXR0850N</b>							
Material <b>Not Applicable</b>						Confidentiality Class acc. to 1102 K	
Treatment <b>Not Applicable</b>						Internal	
						INV	
Scale 1 : 20		Family		Compare		Drawing Owner	Transferred from
Drawn by caisbon		Blank nr.		Replaces		ITJ	
Drawing format Blank wt		Kg		Fini wt.		See Drawing	
STATUS <b>A3</b>		Des checked.		Prod checked.		Approved.	
		Date <b>25/07/2022</b>		Designation		Sheet 1 / 1	
<b>Approved Internal</b>						<b>9828084802</b>	

CONFIDENTIAL: This document is our property and shall not without our permission be altered, copied, used for manufacturing or communicated to any other person or company.

00	First release. CID28382. DN22054160	10-25-2022	caisbon	9828084802	
Ed	Position Modified from	Date	Intr./Appd.	Parent 3D model	Ed . Version 3D